

Price quote for flame-retardant fiberglass cable trays in Nepal





Price quote for flame-retardant fiberglass cable trays in Nepal



Fiberglass Cable Tray

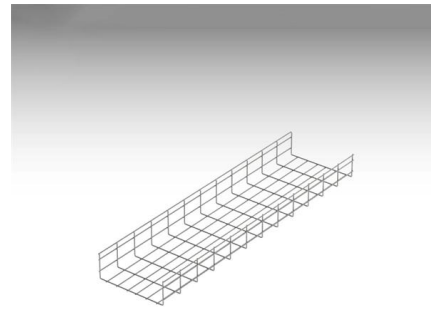
Looking for durable and corrosion-resistant Fiberglass Cable Tray? Our lightweight, high-strength trays offer long-lasting performance. Order now!

[Contact Us](#)

Fiberglass Cable Tray: Durable And Reliable Solution

7. Fire resistance Many Fiberglass cable trays are flame retardant or fire resistant, providing additional safety in industries with a fire risk. 8. Environmental benefits

[Contact Us](#)



Grid Cable for marine and offshore applications

FRP Flame Retardant Tray: Durable & Customizable

Find reliable FRP flame retardant trays with UV resistance, anti-static coating, and customizable sizes. Click to explore top-rated suppliers and get competitive pricing for industrial use.

[Contact Us](#)



Fiberglass Cable Tray1

Application of fiberglass cable tray fiberglass cable trays are widely used in scenarios with high requirements for corrosion resistance, insulation, and lightweight. In the

[Contact Us](#)



GFRP CABLE TRAYS

GFRP cable trays consist of a series of interconnected channels or trays designed to hold and support electrical cables and wires. They are typically constructed from

[Contact Us](#)



Fiberglass (FRP) Cable Tray for Extreme Conditions

Made from the highest quality pultruded materials, our Fiber Reinforced Polymer (FRP) cable tray is extremely durable and resistant to chemical attack, with a

[Contact Us](#)



Lydia General trading llc

Lydia General trading llc Fiberglass Cable Tray systems have been tested and proven in the harsh environment of the offshore Oil & Gas industry. Our Fiberglass Cable Tray gives you the load

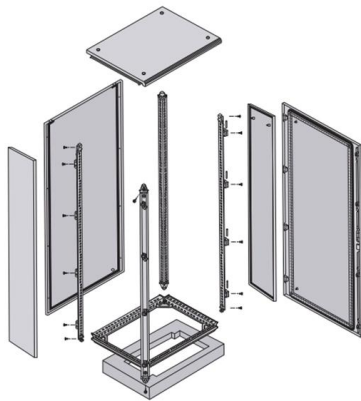
[Contact Us](#)



Fiberglass Ventilated Trough Cable Tray Flame-Retardant Anti

These trays are made from a composite material that includes fiberglass, resin, and other reinforcing agents, giving them unique properties that make them highly resistant to environmental factors that

[Contact Us](#)



FRP Cable Tray, FRP Ladder Type Cable Tray Manufacturer

FRP Cable Trays of NewReach are made from high-quality glass fiber reinforced plastic, combined with flame-retardant materials and resin-impregnated fiber yarns for resilience.

[Contact Us](#)

Fire Rated Cable Tray, Heavy-Duty Cable Tray Manufacturer

Fire Rated Cable Trays that are crafted from premium materials like stainless steel, galvanized steel, tempered glass, and fire-resistant polyester fiberglass. Each tray is coated with a specialized fire

[Contact Us](#)



Fiberglass Cable Tray Supplier , FRP GRP Industrial Systems

Our sourcing service ensures compatibility with international cable management standards and project requirements. For sourcing managers looking for reliable, long-lasting cable support solutions, our

[Contact Us](#)

Fiberglass Cable Tray Suppliers,



Manufacturer, Distributor, Factories

Alibaba offers 641 Fiberglass Cable Tray Suppliers, and Fiberglass Cable Tray Manufacturers, Distributors, Factories, Companies. There are 312 OEM, 255 ODM, 48 Self Patent. Find high quality

[Contact Us](#)



FRP Cable Tray Manufacturer , Best Fiberglass Cable

NHC is a professional frp cable tray manufacturer, providing high-quality fiberglass cable trays. These trays are corrosion-resistant and have high strength, making

[Contact Us](#)



MPO-MPO Low Smoke Halogen Free Sheath

Multimode 10 Gigabit 12 pole OM4

Insertion loss <0.35dB Return loss >50dB

FRP Cable Trays / fiberglass Cable Ladder supplier in

Saudigrate cable trays are manufactured as per the international standards BS50085, NEMA VE 1, BS/IEC 61537, ASTM & UL. Manufactured in (a)

[Contact Us](#)



Fire-Resistant Cable Trays in High-Risk Environments

These fire-resistant cable trays, although less expensive, do not provide adequate protection against fire. In high-risk areas, the use of non-flame

[Contact Us](#)

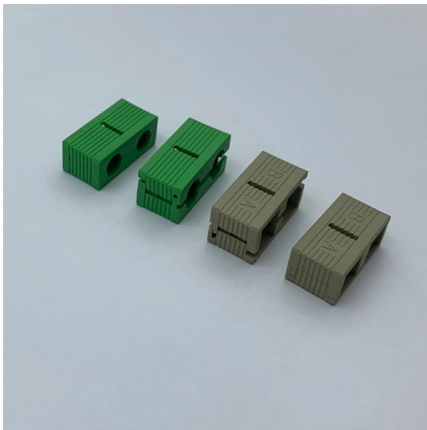


Pinnacle Arabia Trading



Spice Plates Our Fiberglass Cable Tray
Specification are: Standard applicable IS 6746
-1994 Specs for Unsaturated Polyester Resin
system for Low Pressure Fiber Reinforced
Plastics. NEMA FG 1 1984-

[Contact Us](#)



UNIFRAX Fyrewrap fireproof Coating for Cables, Cable

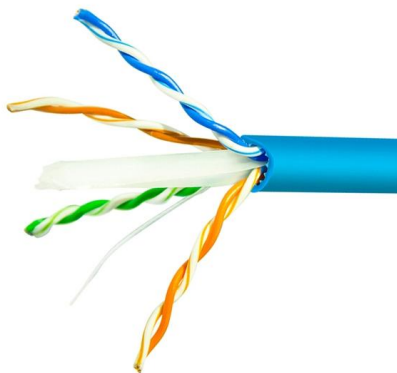
UNIFRAX Fyrewrap "Fyrewrap Cable Insulation®" is a thin and flexible insulation material designed to provide fire protection for cable trays and circuits. Its

[Contact Us](#)

Fiberglass Reinforced Plastic (FRP) Cable Tray

Fiberglass Reinforced Plastic (FRP) Cable Tray SFSP FRP Cable management System is manufactured under the brand name "Intech", and is distributed

[Contact Us](#)



FIBERGLASS CABLE TRAY , Water Treatment and

Our fiberglass cable tray has been used in the most corrosive and structurally demanding environments across the globe, including offshore platforms, chemical

[Contact Us](#)



Fiberglass Cable Trays: Essential for Industrial Electrical

Fire-retardant options enhance safety standards in high-density wiring environments. Fiberglass cable trays offer unmatched durability, safety, and cost

[Contact Us](#)



Wire Mesh Cable Tray and Ladder Systems

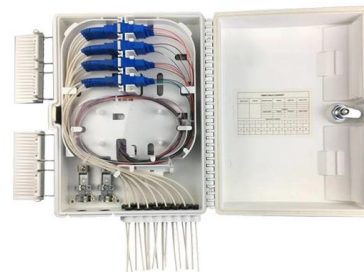
Sturdy wire mesh cable tray system for data centers & commercial use. Supports 12A/12B loads. Includes prefab assemblies & ladder trays. Our Wire Mesh Cable Trays, precision-engineered from

[Contact Us](#)

Industrial FRP Cable Trays , Corrosion-Resistant Cable

Are you struggling with cable management systems that corrode, require constant maintenance, or pose electrical hazards in aggressive environments? Our

[Contact Us](#)



Cable Tray Installation Cost per Meter - Price Estimator

Understanding the cable tray installation cost per meter is essential for effective budget planning. Costs vary based on tray material (steel, aluminum,

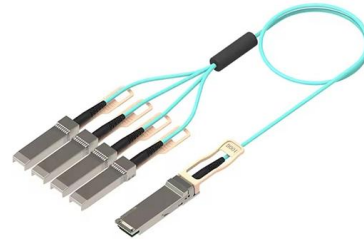
[Contact Us](#)



Fire Rated Cable Tray, Heavy-Duty Cable Tray Manufacturer

We provide a variety of options that include different materials and finishes, such as powder-coated aluminum, galvanized steel, and fiberglass with intumescent coatings, all designed to improve fire

[Contact Us](#)



Fiberglass Cable Tray

MP Husky Fiberglass Cable Tray is available in both polyester and vinylester resin systems. They are manufactured to meet ASTM E-84, Class 1 Flame Rating and

[Contact Us](#)

FRP Cable Trays

FRP Cable Trays are a superior alternative to conventional steel or aluminum trays, particularly in aggressive environments such as chemical plants, coastal

[Contact Us](#)



Verified Supplier Fiberglass Cable Tray Safe

Shop high-quality fiberglass cable trays from reliable suppliers. Enjoy durable, waterproof, and customizable options for your cable management needs.

[Contact Us](#)



Fiberglass Cable Trays, FRP Cable Tray, FRP Cable

Our cable trays are available in different prices based on the design and size, and you can quickly acquire them by placing an order on our website. Our deliveries

[Contact Us](#)



Fiberglass Cable Tray at the Best Prices

Discover high-quality Fiberglass Cable Tray with excellent strength, corrosion resistance, and long service life for industrial applications. Available in ladder type with customized specifications and

[Contact Us](#)

Contact Us

For datasheets, pricing, or custom fiber access solutions, please visit:
<https://frindel.es>