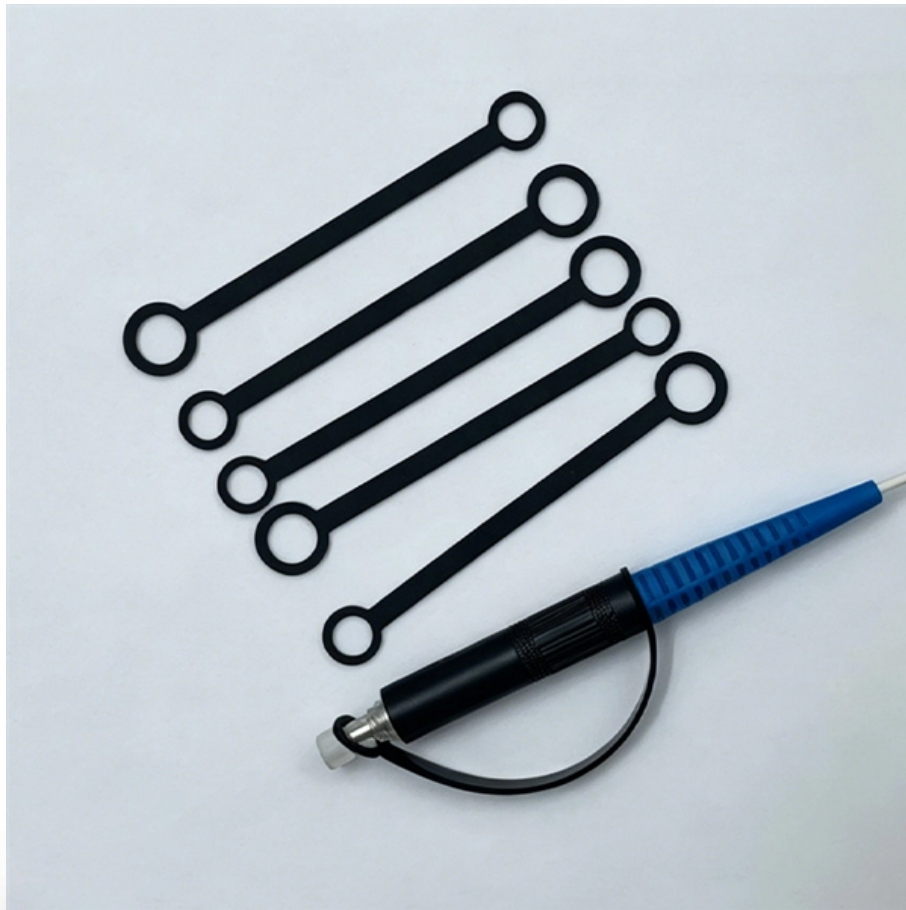


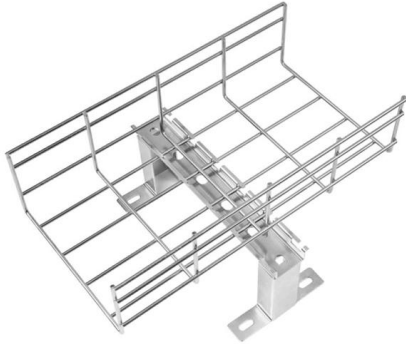
# **Price of installation method for small busbar at the top of the cabinet**





## Price of installation method for small busbar at the top of the cabinet

---



### Work design and construction of busbar systems

In these cases, a suitable solution is to install a common busbar above them, from which the individual machinery can be fed with cable triggers. The possibilities for

[Contact Us](#)

### Busbar Systems for Electrical Cabinets: The Modern

Busbars are pre-engineered components that are simply snapped or bolted together. You no longer need to spend hours meticulously measuring, cutting, and crimping

[Contact Us](#)



### How to Install and Process Busbars in Electrical Panels

Have you ever wondered how busbars, those critical components in electrical panels, are expertly installed and processed to ensure efficient power distribution? If you're an intermediate

[Contact Us](#)

### Electrical Busbar Assemblies Installation Method

This electrical method statement covers the installation of bus bar electrical assemblies. Following this procedure shall ensure that the installation has been



### **The Ultimate Guide to Electrical Busbars [May 2026 ]**

Discover everything about electrical busbars--types, materials, advantages, and applications. Simplify power distribution with efficient, safe, and

[Contact Us](#)



### **Busbar in Electrical System: Types, Applications,**

If you notice any discrepancies in the busbar system, call for immediate maintenance. A faulty busbar connection can hamper consistent current flow and

[Contact Us](#)



### **Busbar Design & Installation UK , A& T Enclosures Limited**

A& T Enclosures specialises in custom busbar design and installation in the UK for a wide range of electrical distribution systems. With more

[Contact Us](#)



Our range of Busbar systems is divided into Low Voltage and Medium Voltage systems that is made up of Lighting, Sandwich, Cast Resin, IPB, SPB, NSPB. BUSBAR SERVICES also designs,

[Contact Us](#)



### **Busbar Design & Installation UK , A& T Enclosures Limited**

Busbar Design and Installation in the UK Expertise from ongoing testing to BS EN 61439-2 allows our engineers to provide support to ensure your design will meet

[Contact Us](#)

### **unsupervised\_topic\_modeling/topics/en/15/100/50/topics at master**

Contribute to annontopicmodel/unsupervised\_topic\_modeling development by creating an account on GitHub.

[Contact Us](#)



### **Busbars: why you should install underfloor power , CMD**

Most modular busbar systems follow similar methods of installation. Below, we explain how a CMD Betatrak underfloor busbar would be installed in an office with

[Contact Us](#)

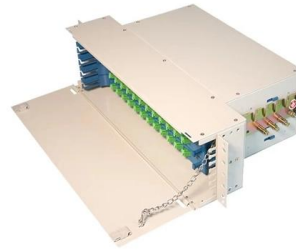




## Electrical busbar system

Electrical busbar systems (sometimes simply referred to as busbar systems) are a modular approach to electrical wiring, where instead of a standard cable wiring to

[Contact Us](#)



## Electrical Power Busbar System Installation Method

Project Management Resources - Editable Documents Electrical Power Busbar System Installation Method Statement This procedure defines the methods to be

[Contact Us](#)

## DATA RACK BUSBAR

Ensure that the locking latch position is set right (as indicated) and setup the installation mechanism by pressing on the claws Engage the top off box by rotating in the direction of the arrow Do not rotate

[Contact Us](#)



## How to Install and Process Busbars in Electrical Panels

To install busbars in electrical panels, begin by turning off the power to ensure safety. Select the appropriate busbar material, typically copper or aluminum, based on your current

[Contact Us](#)



## Busbar Processing & Installation: Your Ultimate Guide

These guidelines govern the busbar processing and installation procedures for all low-voltage switchgear and power distribution enclosures

[Contact Us](#)



### Why busbar trunking system is a space saving solution

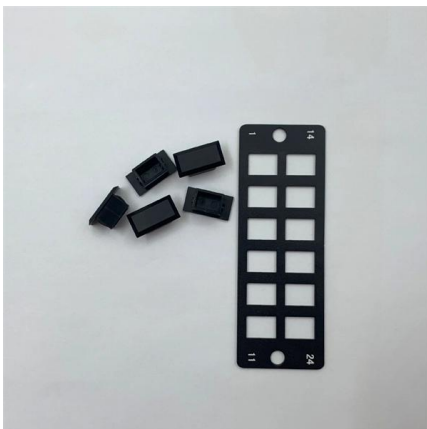
In busbar trunking systems, electricity cannot just be tapped from a permanently fixed point as with a cable installation. Tapping points can be varied

[Contact Us](#)

### Types of Busbars & Schemes - Explained with Applications

Understand Types of Busbars and how they make complex power distributions simpler in electrical power distribution,.

[Contact Us](#)



### Busbar Products Pricing Guide: Understanding Costs

1. Busbar Products Pricing Guide: Understanding Costs and Value In the electrical and power distribution industry, busbar products are a critical

[Contact Us](#)



## Electrical cabinet busbar

Electrical cabinet busbar, also known as electrical cabinet busbar, plays an extremely important role in the electrical system, such as the "heart" that

[Contact Us](#)



## Busbar Power Distribution Explained: Benefits, Types,

Discover the benefits, types, and applications of busbar power distribution systems. Learn why busbars offer efficient, safe, and space-saving

[Contact Us](#)

## Busbar Prices Explained: Copper vs Aluminum, Fabrication Costs

Busbar prices are shaped by far more than the daily cost of copper or aluminum. The real price depends on conductor material, cross-section, plating or insulation, cutting, punching, bending,

[Contact Us](#)



## Switchboard Busbar Guide (2025): Design & Standards

Switchboard Busbar Last updated: August 2025  
Busbars are the backbone of a low-voltage switchboard: rigid conductors that collect and

[Contact Us](#)



In the past, many switchgear installations using busbar required bending, drilling, and tapping of the copper bus. With newer standardized modular busbar systems there is no need to bend, drill, tap, or

[Contact Us](#)



### Busbar Systems

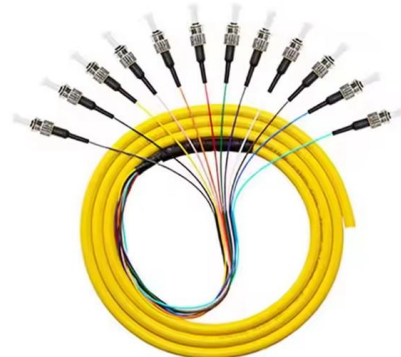
Our GKW Busway is a versatile system designed for smaller commercial premises, horizontal distribution, rising mains and feeder applications, and can bring low

[Contact Us](#)

### Busbar Systems , Power Busbars , EAE Electric

Power Busbar Systems are designed for the safe transport and distribution of electrical energy, ranging from 32A to 6300A, ensuring efficiency and reliability.

[Contact Us](#)



### Design Guide for bus bars , Mersen

Prices of bus bar assemblies vary depending upon quantity ordered. In addition, individual dimensional characteristics, materials, manufacturing techniques, the

[Contact Us](#)



## Bespoke Busbar Systems

In partnership with the leading manufacturers of IP55 & IP68 Cast Resin Busbar Systems, we are able to offer a complete solution for all your

[Contact Us](#)



## Contact Us

---

For datasheets, pricing, or custom fiber access solutions, please visit:  
<https://frindel.es>