

Price of Russian Intelligent Busbar Bridge





Price of Russian Intelligent Busbar Bridge



Cost Comparison Calculator , PEM

Streamline your busbar connection process while delivering significant cost savings--on average 30% to 40% compared to traditional busbar plating. This cost calculator is designed to help you evaluate the

[Contact Us](#)

Russia Busbar Market (2025-2031) , Trends, Outlook & Forecast

Russia Busbar Market Overview The busbar market in Russia is growing due to increasing investments in infrastructure and industrial projects. Busbars, which are essential components in electrical



[Contact Us](#)



Busbars from a reliable manufacturer , Busbar manufacturing and

A busbar is an electric device used for short distance power transmission. For example, it can be used in electric power grids from power generators to step-up transformers. Our company is a thriving

[Contact Us](#)

Busbar Systems Market Size, Share, Growth & Industry

Alloy busbars are also emerging as a versatile choice, offering a balance of performance and cost. Insulated and bare busbars have specific



Busbar Design for High-Power SiC Converters

Busbars are critical components that connect high-current and high-voltage subcomponents in high-power converters. This paper reviews the latest

[Contact Us](#)



2CDC446001D0201

Busbar systems and installation accessories
When connecting aluminum conductors, ensure that the contact surfaces of the conductors are cleaned, brushed and treated with grease.

[Contact Us](#)



Intelligent Busbar

Intelligent busbar replaces traditional distribution methods of array cabinets and cables and has become a new trend in power distribution for modern data centers. The Inspur intelligent busbar integrates

[Contact Us](#)





Superconductor Busbar Systems in the Light of Increased

The Russian invasion of Ukraine led to a shortage of commodities and increased energy costs. In this situation, it is important to realize that every MWh saved does not

[Contact Us](#)



Russia Busbar Trunking Market (2025-2031) , Trends, Outlook

Our analysts track relevant industries related to the Russia Busbar Trunking Market, allowing our clients with actionable intelligence and reliable forecasts tailored to emerging regional needs.

[Contact Us](#)

High Power Multi-layer Molded Busbars: Design

This Tech Bulletin provides an overview of how new complex multi-layer molded busbar technologies can deliver significantly improved electrical performance from batteries to the power inverters and

[Contact Us](#)



Advanced Busbar Systems for Electrical Engineer

When selecting the right busbar system, contractors must evaluate the unique demands of the project, whether it involves traditional panel-mounted busbars,

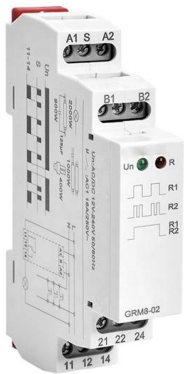
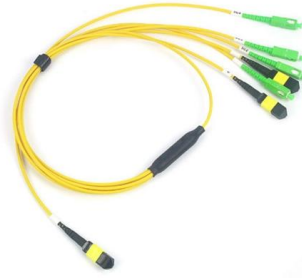
[Contact Us](#)



Extract from LV 10 · 04/2021

Making sure power makes its way Consistent, safe and intelligent low-voltage power distribution and electrical installation technology Whether industries, infrastructures or buildings: Each environment

[Contact Us](#)



Schneider Electric busbar systems buy in bulk, prices in Moscow

Prices from the manufacturer. Wholesalers discounts. Schneider Electric busbar systems with delivery in Moscow and regions of the Russian Federation.

[Contact Us](#)

New busbar trunking system enables higher energy

The LData busbar trunking system is an economical and flexible alternative to conventional cables and gives operators a solution for intelligent

[Contact Us](#)



Microsoft Word

Abstract-- The busbar is crucial in high-power converters to interconnect high-current and high-voltage subcomponents. This paper reviews the state-of-the-art busbar design and provides design

[Contact Us](#)



Understanding Electrical Busbar Price - Factors,

Explore key factors affecting electrical busbar prices, market trends, and tips for smart purchasing to optimize cost and quality in power systems.

[Contact Us](#)



Busbars from a reliable manufacturer , Busbar manufacturing and

Busbars 6 - 35 kV «Russian Busbar Center» produces bus ducts and busbars of various designs. Our products are manufactured using high-accuracy state-of-the-art equipment. The local manufacturing

[Contact Us](#)



Cast-insulated busbars by «Russian Busbar Center»

«Russian Busbar Center» specialises in production and supplies of busbars and bus ducts as well as gas-insulated lines. The company's customers are offered a wide range of equipment. This website

[Contact Us](#)



Busbars , Electrical Busbars & Copper Busbars , RS

Here, at RS we have a comprehensive range of Busbars supplied to you from industry-leading brands including Schneider Electric, Siemens, ABB, Eaton, and Legrand. As mentioned before busbars are

[Contact Us](#)

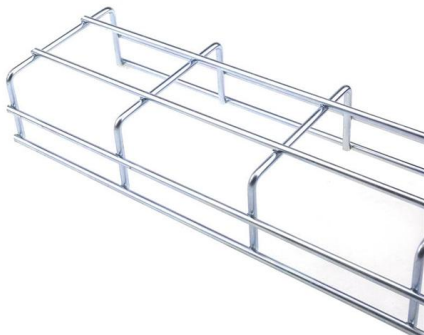




Intelligent Busway System For Data Center

The Soetec intelligent busbars feature a flexible, innovative design with overhead suspension and cabinet top bracket options, optimizing distribution structure to

[Contact Us](#)



Russian busbars , «Russian Busbar Center»

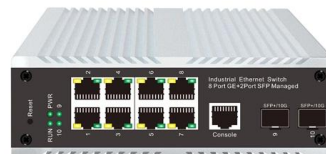
The cost of domestic busbars and bus ducts is independent of the currency exchange rate since production is located in the Russian Federation. Absence of costs of transportation to the border and

[Contact Us](#)

Trunk and distribution polymer-insulated busbars

One of the main areas of business of «Russian Busbar Center» lies in manufacturing and supplying polymeric insulated ("sandwich") trunk busways and distribution busbars.

[Contact Us](#)



(PDF) Busbar Design for High-Power SiC Converters

This paper also presents optimized busbar designs for both module-based and discrete device-based SiC high-power converters, comparing various SiC power module packages and

[Contact Us](#)



«Russian Busbar Center» , Air-insulated busducts

«Russian Busbar Center» offers air-insulated busducts on favorable terms. We deliver electrical equipment to any location in Russia, CIS and abroad.

[Contact Us](#)



Busbar Systems Market Size, Share, Growth & Industry

Busbar Systems Market projected to reach USD 105.69 Billion, at a CAGR of 17.93% during 2026 to 2035, driven by Integration of smart grid

[Contact Us](#)

Low-voltage busbars, price, to buy a busduct in Moscow,

A busbar is a system of insulated conduct buses encapsulated in a rigid body. The products are supplied to installation sites in sections. The usage of our bus ducts enables to arrange energy efficient power

[Contact Us](#)



Low-voltage busbars, price, to buy a busduct in Moscow,

Inexpensive busbars! «Russian Busbar Center» offers high quality Russian-made busducts. These products have shown good results at industrial facilities in RF, CIS and abroad.

[Contact Us](#)

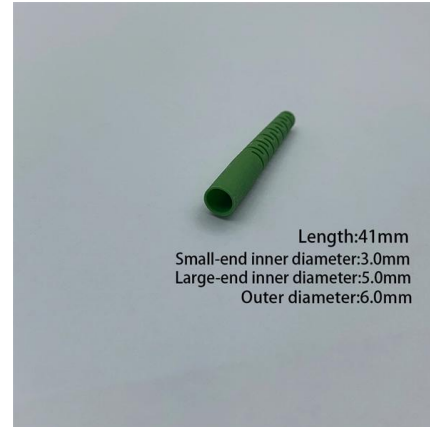




ALBIMAX METALL

COMPANY LLC «ALBIMAX METALL» - is a Russian supplier of electro-technical equipment (busbars, low-voltage switchgear, transformers), cable carrying systems (trays), lighting equipment.

[Contact Us](#)



Contact Us

For datasheets, pricing, or custom fiber access solutions, please visit:
<https://frindel.es>