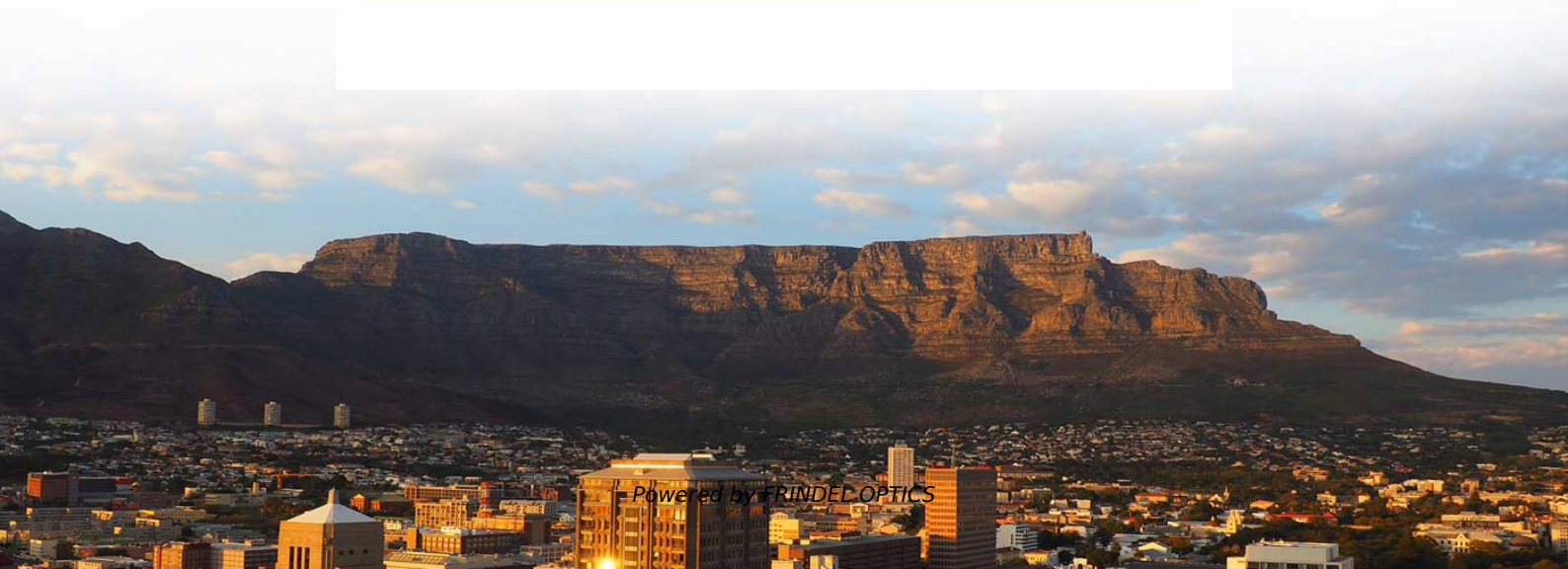
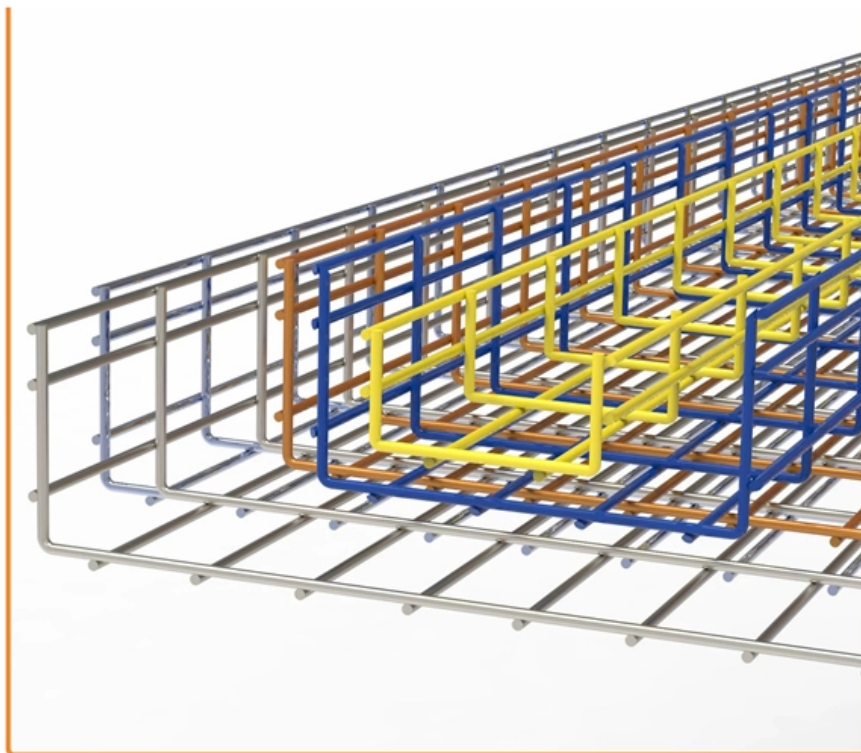


Price of Multimode Hollow-Core Optical Fiber for Romanian Hospitals





Price of Multimode Hollow-Core Optical Fiber for Romanian Hospital



Hollow-Core Fiber: Pioneering a New Era in Optical

In recent years, with the rapid development of information technology, optical fiber communication has become a core technology driving global digital

[Contact Us](#)

Hollow-core Fibers - Buying Guide & Supplier List , RP

This hollow-core fibers buying guide provides technical background, comparison of major types, selection criteria, and an overview of suppliers.

[Contact Us](#)



Emerging Trends in Optical Fiber: Hollow-core and

Discover the latest optical fiber trends in 2024: Learn how hollow-core and multicore fibers will play a key role in supporting next-gen data transmission.

[Contact Us](#)

Designing hollow-core multi-mode anti-resonant fibers for industrial

Multi-mode anti-resonant fibers are investigated for high-power laser delivery. Numerical simulation suggests order-of-magnitude improvements over solid-core fiber. Simple techniques are



Fibre Optic Cables - Mouser Romania

Fibre Optic Cables are available at Mouser Electronics. Mouser offers inventory, pricing, & datasheets for Fibre Optic Cables.

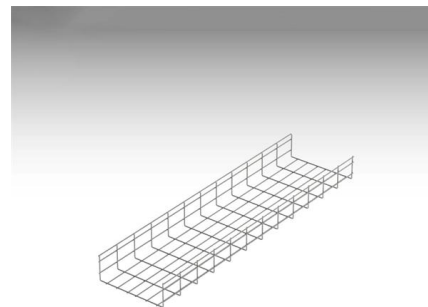
[Contact Us](#)



Hollow-core optical fibers: current state and

Recent advances in reducing optical losses and the prospects for telecommunication applications of hollow-core fibers, issues of transporting high

[Contact Us](#)



Grid Cable for marine and offshore applications

Multimode Fiber Optic Cable Price Comparison: OM1,

Explore the cost differences among OM1, OM2, OM3, and OM4 multimode fiber optic cables. Understand how each type's performance and

[Contact Us](#)

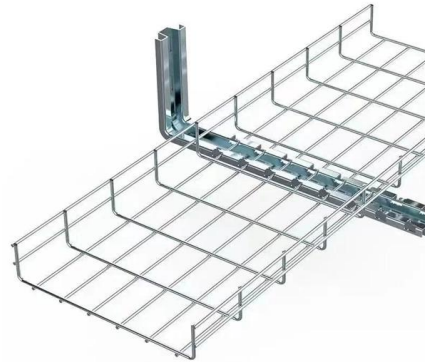




Buy Multi-Mode Fibers , Best wholesale prices from suppliers

Get price quotes for Multi-Mode Fibers. Search, find, compare and shop for Multi-Mode Fibers on FindLight. Contact suppliers directly with one click.

[Contact Us](#)



Multi-core anti-resonant hollow core optical fibre

We report the fabrication and characterisation of a multi-core anti-resonant hollow core fibre with low inter-core coupling. The optical losses were 0.03 and 0.08 dB/m at 620 and 1000 nm

[Contact Us](#)

Hollow Core Fiber Market Report , Global Forecast From 2025 To 2033

Regionally, the Asia Pacific market presents lucrative opportunities for the hollow core fiber industry. The region's rapid economic development, coupled with substantial investments in telecommunications

[Contact Us](#)



Multimode Fiber Data Sheet

OM1 Fiber 62.5/125 This fiber is a graded-index multimode fiber suitable for transmission speeds of up to 10 Gb/s. It has a 62.5 μm core diameter and a 125 μm cladding diameter.

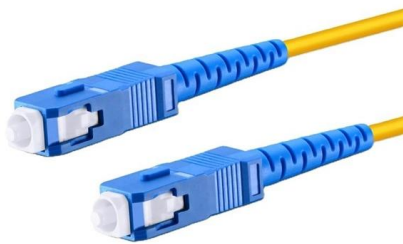
[Contact Us](#)



An Introduction to Ultra-low Attenuation Hollow Core Fiber

Unlock the potential of hollow-core fiber optics. Explore the advantages of this innovative technology for low latency, low energy

[Contact Us](#)



Applications and Development of Multi-Core Optical

Multi-core optical fiber, with its ability to transmit multiple signals simultaneously, has emerged as a promising solution to meet this demand.

[Contact Us](#)

Cost of Fiber Optic Cable: Pricing Guide (2026)

Discover the cost of fiber optic cable in this pricing guide. Learn material prices, installation factors, and what impacts total project costs overall.

[Contact Us](#)



Hollow-Core Optical Fibers

The paper Combining Hollow-core Photonic Crystal Fibers with Multimode, Solid Core Fiber Couplers through Arc Fusion Splicing for the Miniaturization of Nonlinear Spectroscopy

[Contact Us](#)



Hollow Core Optical Fiber Market Size, Share, Growth,

The Global Hollow Core Optical Fiber Market Size Was Worth USD 132.47 Million in 2023 and Is Expected To Reach USD 916.52 Million by 2032, CAGR of 23.98%.

[Contact Us](#)



Design and performance analysis of a novel low confinement loss

Multimode optical fibers have various applications in many fields, including high-power laser delivery, short-haul telecommunications and sensing, etc. Hollow-core anti-resonant fiber (HC

[Contact Us](#)

Hollow-core fibre: the next game-changer in optical cables

Continuing growth in the volume of data traffic and the need for low latency will lead operators to deploy hollow-core fibre networks.

[Contact Us](#)



Multimode Fiber

Search Suggestions: Check the spelling of your keyword or search phrase. Try searching with different synonymous keywords. Broaden your search by using fewer keywords. Select an auto-suggested

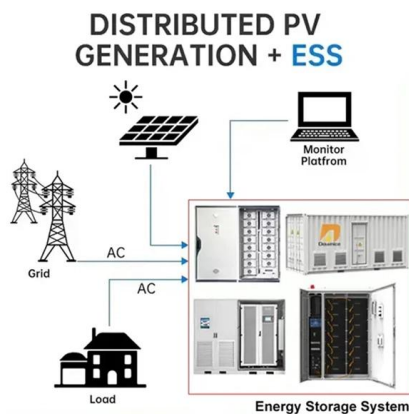
[Contact Us](#)



Next-Generation Optical Fiber Market (Multicore and

Growing Demand in Biomedical Applications The global next-generation optical fiber market (multicore and hollow core fiber) is projected to reach \$1,053.4 million by

[Contact Us](#)



Is Hollow-Core or Multi-Core the future of fiber technology?

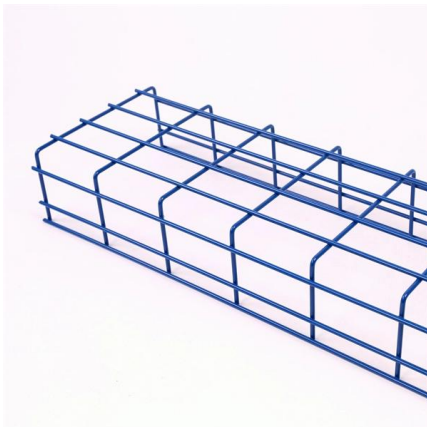
Let's start by understanding the basics of each fiber type. What is Hollow-Core Fiber? Hollow-Core Fiber, or HCF, is a type of optical fiber in which

[Contact Us](#)

Europe Next-Generation Optical Fiber (Multicore and Hollow Core Fiber

The Europe next-generation optical fiber market (multicore and hollow core fiber) (excluding U.K.) is projected to reach \$279.1 million by 2031 from \$34.6 million in 2022, growing at a

[Contact Us](#)



Buy Multi-Mode Fibers , Best wholesale prices from suppliers

Optran® UVNS optical fibers are multimode fibers with a silica core and fluorine-doped cladding, designed for light transmission in the 190-1200 nm spectral range.

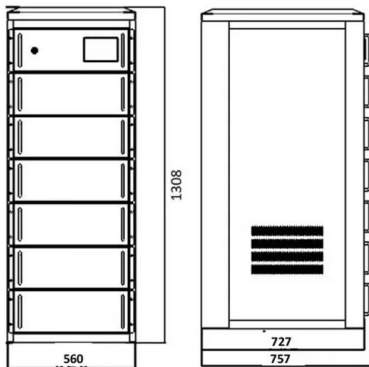
[Contact Us](#)



Hollow Core Fiber Market , Global Industry Analysis 2035

One notable trend shaping the hollow core fiber market is the continuous advancements in fiber optic technology. Innovations such as improved fabrication techniques, enhanced material

[Contact Us](#)



Fiber Optic Cable Pricing Guide: Factors That Affect

This guide outlines the major factors that influence fiber optic cable costs and provides practical tips for estimating pricing in bulk or project-based

[Contact Us](#)

Hollow-Core Fiber vs. Traditional Fiber: Which Will

Compare hollow-core fiber (HCF) and traditional glass-core fiber in terms of latency, bandwidth, and sustainability. Learn which technology is better

[Contact Us](#)



Hollow-Core Optical Fibers for Telecommunications and Data

In this paper, we comprehensively review the progress in the development of HCFs including fiber design, fabrication and parameters (with comparisons to conventional single-mode

[Contact Us](#)



Contact Us

For datasheets, pricing, or custom fiber access solutions, please visit:
<https://frindel.es>