

# **Price of Fire-Retardant Cold Aisle for Computer Rooms**





## Price of Fire-Retardant Cold Aisle for Computer Rooms

---



### Data Center Aisle Containment , Polycarbonate & PVC

Custom data center aisle containment systems reduce cooling costs up to 30%. Fire-rated polycarbonate and PVC panels for hot/cold aisle separation. Get custom

[Contact Us](#)



### Cold Aisle Containment

Product Description Aisle containment in the data center requires that cabinets are aligned in a hot aisle/cold aisle layout. Containment panels or strips create a

[Contact Us](#)

### The Advantages And Disadvantages Of Hot-Aisle, Cold

Also, in many cases, cold aisles have intermediate ceilings over the aisle. This may affect the overall fire protection and lighting design, especially

[Contact Us](#)



### Data Center Hot/Cold Aisle Containment Systems , Eaton

An aisle containment system is a simple way to improve cooling efficiency in hot aisle/cold aisle rack configurations. Essentially creating a room within the aisle,

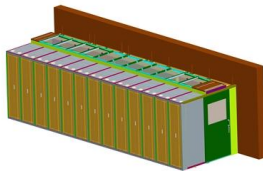
[Contact Us](#)



### **Cold Aisle Containment & Hot Aisle Containment**

Executive Summary of Aisle Containment This article examines cold aisle containment and hot aisle containment (also known as cold or hot air containment) from a neutral perspective. Cross-Guard, as

[Contact Us](#)



### **Data Center Curtains , Hot & Cold Aisle Containment**

In the event of fire, modules drop easily away. Installation is quick, saving you the cost of labor hours. Disassembles easily when needed. Modular design allows

[Contact Us](#)



### **Hot and Cold Aisle Containment Systems: How They**

Hot aisle containment (HAC) and cold aisle containment (CAC) are the most efficient ways of preventing your servers from overheating and these

[Contact Us](#)





## Hot Aisle Containment , Legrand

Legrand hot aisle containment solutions optimize airflow, reduce energy consumption, and ensure peak performance for critical infrastructure. Hot aisle containment is the most common method for

[Contact Us](#)



## Emerging Fire Protection Challenges with Hot Aisle/Cold Aisle

Emerging Fire Protection Challenges with Hot Aisle/Cold Aisle Containment in Data Centers  
Steve Carter Jeffery Kidd (Hiller (ORR Protection  
John Spalding (Healey Fire New England  
Systems) Paul

[Contact Us](#)

## Hot & Cold Aisle Containment Panels

Hot & Cold Aisle Containment Panels at bulk/wholesale pricing. Used for aisle containment solutions in mission-critical data centers to ensure consistent temps.

[Contact Us](#)



## Cold Aisle Containment in Data Centers , Subzero

Minimize your data center's footprint, establish optimal operating efficiencies and save money with cold aisle containment. Learn more here!

[Contact Us](#)



## Containment Curtains , Hot & Cold Aisles , Subzero

Engineered for easy design and installation. The Subzero Engineering Strip Door is the low-cost option for closing the end of the aisle. This door is made of

[Contact Us](#)



## Aisle Containment May Hinder Server Room Fire

Server rooms need strong cooling and fire protection systems. QRFS examines aisle containment systems and how they can impede fire protection.

[Contact Us](#)

## Data Center Aisle Containment

How data center aisle containment can be applied to meet the key objectives in effective data center design.

[Contact Us](#)



## Hot/Cold Aisle Containment , Data Center Containment

Hot and cold air containment systems designed to maximize cooling predictability, capacity, and efficiency at the rack, row or room level. Get flexible and cost

[Contact Us](#)

## Aisle Containment , Modular Cleanroom &



## Data Center Containment

Enhance airflow control and energy efficiency in data centers, laboratories, and cleanroom environments with Armstrong Aisle Containment Ceilings & Walls. Our modular systems

[Contact Us](#)



## Hot and Cold Aisle Containment Solution , Legrand

Hot aisle containment is used to capture and direct hot exhaust air back to the cooling units. This popular option is ideal for data centers looking to maximize

[Contact Us](#)

## Cold Aisle Containment: The Ultimate Guide To

Additionally, cold aisle containment tends to be easier to implement compared to hot aisle containment, as it typically requires fewer modifications to the existing

[Contact Us](#)



## Aisle Containment for Server Rooms and Data Centers

Shop aisle containment solutions at Server Racks Online. Explore hot and cold aisle containment systems, including doors, panels, and ceilings. Improve data center airflow, cooling efficiency, and

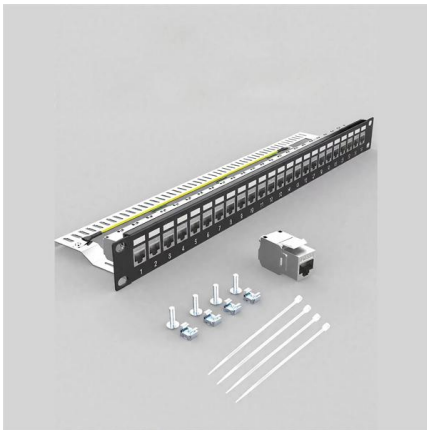
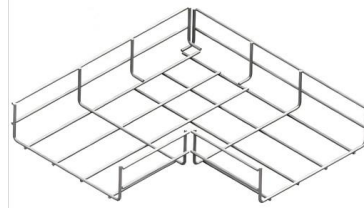
[Contact Us](#)



## Data Center Curtains , Server Room Insulated Curtains

Steel Guard Safety's data center curtains provide an economical and highly effective solution for controlling server room temperatures through hot aisle and cold aisle

[Contact Us](#)



## Aisle containment , Airflow management , Eaton

Eaton offers a wide range of partial and total containment solutions that can accommodate hot aisle containment, cold aisle containment and rack-based heat

[Contact Us](#)

## Data Center Containment Curtains

TRAX hot aisle / cold aisle data center curtains are the industry leading low cost containment solutions. Increase cooling efficiency while measurably lowering

[Contact Us](#)



## Data Center Curtains

Data center server room curtains and strip doors are a great solution for hot and cold aisle containment for maintaining proper server temperatures.

[Contact Us](#)



## Data Center Containment Curtains

Data center containment curtains by Trax deliver industry-leading hot and cold aisle containment curtain solutions. Request your free quote today.

[Contact Us](#)



## AirBlock Containment Curtains and Strip Doors

AirBlock Data Center Curtains are engineered for performance, and exceed all fire and safety standards. Simplex products are made from virgin materials to provide

[Contact Us](#)

## Cold Aisle Containment Systems , Server Room Environments

Looking for cold aisle containment systems and POD related products? The Server Room Environments projects team provides a complete design, installation and maintenance service for data centre

[Contact Us](#)



## Data Center Hot Aisle Containment Curtains

Are Data Center Hot Aisle Containment Curtains Right for Your Facility? Data Center Hot Aisle Containment Curtains solutions are critical for server rooms looking to

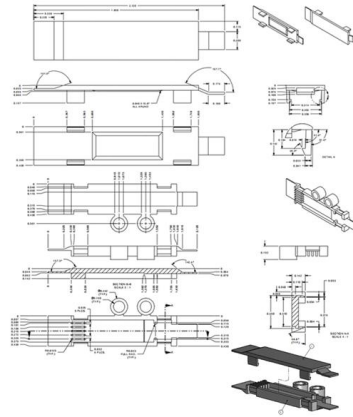
[Contact Us](#)



## What is the Purpose of a Hot Aisle & Cold Aisle

The segmentation of data centers and server rooms into alternating cold and hot aisles has been embraced globally over recent years. The cold and hot aisle

[Contact Us](#)



## Contact Us

---

For datasheets, pricing, or custom fiber access solutions, please visit:  
<https://frindel.es>