

Power Supply Cabinet Switch





Power Supply Cabinet Switch



Power Supply Cabinet Manufacturer

DOHO is a professional power supply cabinet manufacturer and exporter in China. We provide high quality products with competitive price for you. Please contact us

[Contact Us](#)

UPS systems for the control cabinet

UPS systems in cabinet Many applications require special equipment and settings of the UPS systems. These can be requirements for back-up time, temperature

[Contact Us](#)



Power Switching and Distribution Cabinets

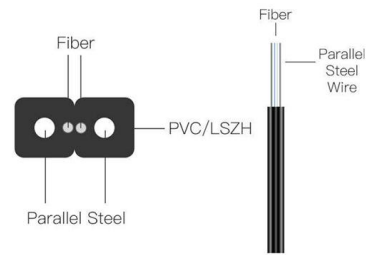
Power Switching and Distribution Cabinets
Vertiv(TM) Liebert® RXV Distribution Unit The Liebert® RXV remote power distribution cabinet provides dense power distribution in a small footprint, with up to

[Contact Us](#)

Ikpwebster

Hier sollte eine Beschreibung angezeigt werden, diese Seite lässt dies jedoch nicht zu.

[Contact Us](#)



Power Supply DC

The switch mode power supply is the core of your control cabinet - and Murrelektronik's regulated power supply units are the perfect regulators. Our focus is to provide constant, constant output voltages

[Contact Us](#)

Power Cabinets and Power Racks

These systems are extremely diverse and capable of withstanding severe environmental challenges. Some examples of the types of applications these

[Contact Us](#)



Power supply cabinets Uniteq

When desired, a UniteQ power supply cabinet can be delivered with redundant power supplies and a switch over function, to guaranty the 24 VDC signal. The UniteQ power supply cabinet can be

[Contact Us](#)



Electrical Cabinets , McMaster-Carr

Choose from our selection of electrical cabinets, including over 2,600 products in a wide range of styles and sizes. Same and Next Day Delivery.

[Contact Us](#)



Power Supply DC

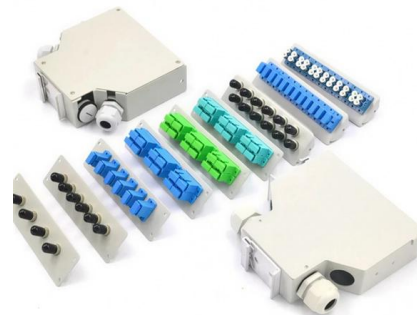
Our certified, in-house test center ensures that our switch mode power supplies are well-engineered and operate perfectly. Our power supply units have many approvals and feature a wide input voltage

[Contact Us](#)

Low Voltage Distribution Cabinet Enclosure

Explore our Low Voltage Electrical Power Supply Distribution Switch Cabinet Enclosure, ideal for electricity boxes GGD, low voltage dual power switch cabinet

[Contact Us](#)



Buy Control Cabinets & Electrical Enclosures , Switch Cabinets at

At Ekabel24, you will find high-quality control cabinets and switch cabinets at attractive B2B prices - ideal for electricians, machine builders, and industrial companies.

[Contact Us](#)

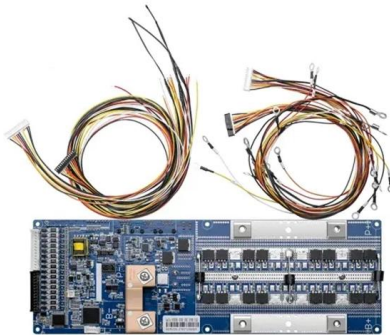




Switching and Control Cabinets

The main business of our company focuses on industrial control cabinets. We are specialized in manufacturing of switching cabinets, control cabinets and low

[Contact Us](#)



Low Voltage Distribution Cabinet Enclosure

The Low Voltage Electrical Power Supply Distribution Switch Cabinet Enclosure is designed to house critical components in power distribution systems, including

[Contact Us](#)

DC power supply cabinet working principle and role

Role of DC cabinet: It mainly provides power supply for high-voltage switch closing mechanism, the DC mini-bus on the top of high-voltage switchgear

[Contact Us](#)



Switch-mode power supply units | Efficient DIN rail

The products, also known as DIN rail power supply units, offer an efficient way of supplying electrical devices and systems with a stable DC power supply. Thanks

[Contact Us](#)



Amazon : Power Cabinet

Artis 3330 3.0 Computer Cabinet Support Micro ATX Motherboard, 1 x 8 cm Fan with 400W Power Supply 3.4 (9) Limited time deal INR2,099

[Contact Us](#)



Enclosures

Enclosures Traditional Enclosures (E Series) are painted, steel, locking enclosures with integral battery space for low voltage power applications. E Series mounts FlexPower AC, DC power supplies and

[Contact Us](#)

Control cabinet and control system construction

In order to ensure a reliable 24 V DC power supply even during a power failure, BLOCK has a wide range of uninterrupted power supplies. Buffer modules with

[Contact Us](#)



Dual Power Supply Control Cabinet

Ensure seamless power transition with our Dual Power Supply Control Cabinet featuring an Automatic Transfer Switch. Reliable, efficient, and built to last

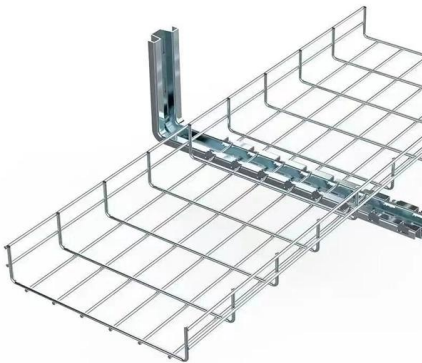
[Contact Us](#)



SWITCH CABINET

SWITCH CABINET The main function of the switch cabinet is to open and close, control and protect electrical equipment during the process of power generation, transmission, distribution and electrical

[Contact Us](#)



Power Switching and Distribution Cabinets

Power conditioning and distribution cabinet that offers the benefits of a custom-tailored system while offering the convenience and cost savings of a pre-packaged, factory-tested solution.

[Contact Us](#)

Power Distribution Cabinet - Types, Functions & Uses

Power distribution cabinet explained! Learn types, functions, and uses in industries. Discover DSY cabinets for safe, reliable power management.

[Contact Us](#)



Uncovering the Secrets of Power Distribution Cabinets:

Explore power distribution cabinets! This comprehensive guide unveils secrets of PDUs, electrical centers, and power distribution in data centers.

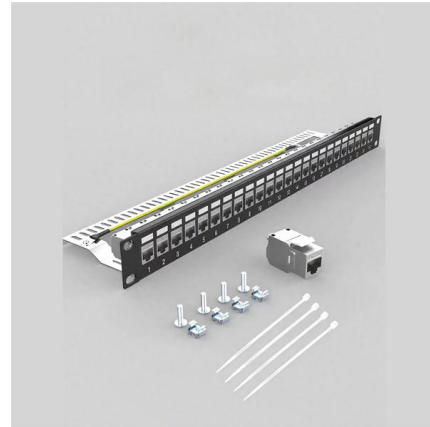
[Contact Us](#)



Power supply units

DOLD switch power supply unit and/or switch mode power supply units have diverse uses thanks to a wide voltage range. Their task is to convert unstable input voltage into a constant output voltage.

[Contact Us](#)



VGS MARKETINGS POWER SWITCH WIRE

VGS MARKETINGS POWER SWITCH WIRE CONNECTOR ATX CPU CABINET TO MOTHERBOARD WIRE CONNECTOR WITH RESET AND LED ATX

[Contact Us](#)



Contact Us

For datasheets, pricing, or custom fiber access solutions, please visit:
<https://frindel.es>