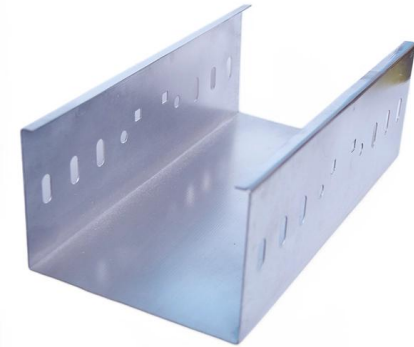


Photovoltaic Industrial-Grade Fiber Optic Switch





Photovoltaic Industrial-Grade Fiber Optic Switch



Industrial Ethernet Switches , Phoenix Contact

Our Industrial Ethernet Switch portfolio comprises Managed and Unmanaged Switches with Gigabit, PoE, IEC 61850 certification, and for DIN rail mounting.

[Contact Us](#)

Industrial PoE Network Switch with Optical Fiber Bypass

Fiber Bypass Layer 2+ Switch for Industrial Networks Fiberroad L2+ Managed Industrial PoE Switch was designed for industrial Power over Ethernet networks.

[Contact Us](#)



4port Managed Industrial Gigabit Ethernet Switch L2 Smart Fiber Optic

About this item FULL GIGABIT ETHERNET - The 4port Managed Industrial Gigabit Ethernet Switch has 4port 10/100/1000Mbps auto-sensing RJ45 ports and 2port SFP fiber ports (SFP TRANSCEIVERS)

[Contact Us](#)

Industrial DIN Rail Ethernet Switches with up to 5 fiber uplink ports

Industrial Ethernet Switches with up to 5 Fiber Uplink Ports Industrial-grade Ethernet Switches are specifically designed to connect devices in network environments that are subject to extreme





Can Bus Fiber Optic Converter,Industrial Switch Ethernet,Fiber Optic

Knowledge How to Choose CAN Bus Fiber Optic Converter 2 Newly Increased Features of CAN FD Difference between CAN and CAN-FD What is CAN I Bus and EtherCat? Difference of Industrial

[Contact Us](#)



Industrial-Grade Fiber Optic Switches: A Reliable

Some people mistakenly believe that industrial fiber optic switches have limited applications or that ordinary switches can replace industrial-grade equipment. In

[Contact Us](#)



Advantech ADAM-6521S-AE Industrial Switch with 4 10/100 Mbps

ADAM-652S1 is an industrial-grade Ethernet switch and single-mode fiber converter. It is designed to help extend an Ethernet network up to 15 km through areas with electrical noise interference. ADAM

[Contact Us](#)





Empowering Solar Networks: Unleashing the Potential of Switches in

Explore the forefront of sustainable energy management with our Solar Switches, designed to optimize connectivity within photovoltaic systems. Our advanced switching solutions offer efficient and reliable

[Contact Us](#)



PROmesh U3: Unmanaged industrial switch , PROFINET with fiber

The PROmesh U3 is an unmanaged 3-port industrial switch with media converter capabilities, passive cooling, and DIP switches. Optimized for PROFINET, it features one fiber optic port and two RJ45

[Contact Us](#)

AV02-1812EN WP Solar-Energy 26Jul2012 dd

Fiber optic components are commonly used to control a high voltage and current switching device, with reliable control and feedback signals (Figure 2, Table 1).



[Contact Us](#)



Ethernet Switches , EKS

In summary, these industrial-grade Ethernet switches, equipped with robust features, compatibility with various fiber types, and specialized technologies, offer a

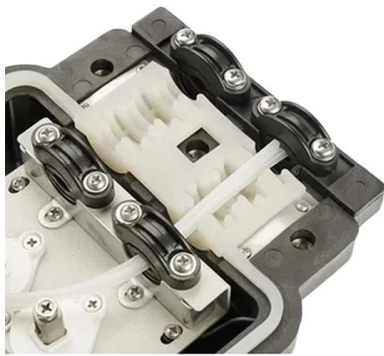
[Contact Us](#)



2 Gigabit Fiber Ports Industrial Ethernet Switch

High quality 2 Gigabit Fiber Ports Industrial Ethernet Switch, Poe Fiber Switch 8 10 / 100 / 1000m Rj45 Ports from China, China's leading product market industrial

[Contact Us](#)



Fiber Optics : Industrial FO Switches

We offer Industrial Fiber Optic switches with wide range of configurations and

[Contact Us](#)

Ultra-High-Speed (10-100 ns) Fiber Electro-Optic

We produce industrial leading ultra-fast fiber optical switches with unmatched performances and most competitive pricing.

[Contact Us](#)



Industrial 2-Channel Optical Fiber Bypass Switch

The IFB-244 Series is an industrial-grade optical fiber bypass switch with built-in 4 duplex LC or SC connectors featuring 2-channel duplex or 4-channel simplex fiber connection with optical bypass

[Contact Us](#)



Wintop Technologies Official Website - Industrial Switches - Industrial

We provide easy-to-operate, automated solutions for deploying highly reliable industrial networks, creating more efficient and intelligent industrial automation environments.

[Contact Us](#)



10G uplink 24-port L2+ managed industrial Ethernet switch

L2+ managed industrial Ethernet fiber switch with 20*10/100/1000M RJ45 ports and 4*1/10G uplink SFP+ fiber ports. It support dual DC power supply input and DIN

[Contact Us](#)

Industrial-Grade Fiber Optic Switches: A Reliable

Industrial-grade fiber optic switches are high-performance data communication devices specifically designed for industrial environments. Since their introduction

[Contact Us](#)



Industrial Fiber Optic Switches

Our products make use of SFP modules for multimode or singlemode fiber with LC connectors. Many of our switches support 1 or 2 fiber ports which are advantageous when daisy chain configurations are

[Contact Us](#)

Built-in Bypass switch_Industrial grade Ethernet



USource industrial-grade Ethernet switch built-in OBS is an industrial ring network switch product with Bypass optical bypass protection function. It can

[Contact Us](#)

Ordering information

NO.	1	2	3	4	5	6
Model	SP1201	SP1202	SP1604	SP1601	SP1202	SP1204
Product name	Patch Panel	Patch Panel	Patch Panel	Patch Panel	Patch Panel	Patch Panel
Illustration						
HU	1	2	4	1	2	4
Maximum number of cores	144	288	576	144	288	576
Product size (including module and adapters) mm	482.87*217.04	482.87*217.04	482.87*217.04	482.87*217.04	482.87*217.04	482.87*217.04
Standard color code	RAL9005	RAL9005	RAL9005	RAL9005	RAL9005	RAL9005



Fiber Switches

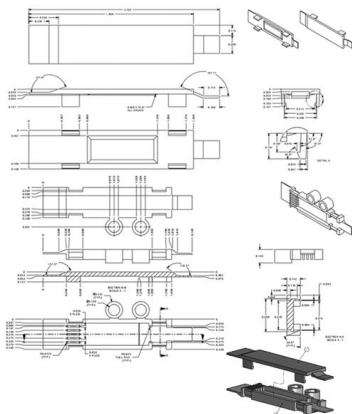
Ethernet Switches with fiber uplink ports or all fiber switches, commercial grade, managed and unmanaged and PoE enabled are all available in this section.

[Contact Us](#)

Reverse POE Switch 4SC 4RJ45 100M Fiber Optic Media Converter

Reverse POE Switch 3SC 3RJ45 100M Fiber Optic Media Converter Ethernet Switch PCBA Board Industrial Grade USD \$ 19.99 - USD \$ 23.99 Price range: USD \$19.99 through USD \$23.99

[Contact Us](#)



Industrial Fiber Switch with 90W PoE

They provide a more durable and reliable solution than the traditional switches, allowing for longer distances, faster speeds and less interference from electrical noise, temperature

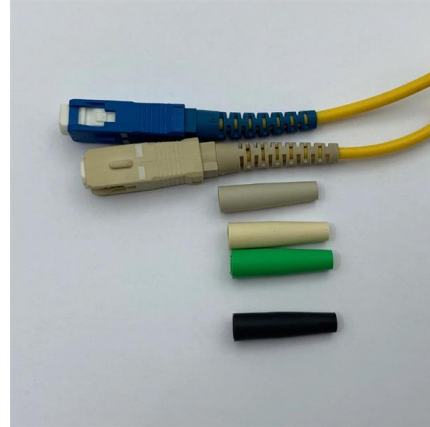
[Contact Us](#)

Industrial Ethernet Switches



Modernize your operations with Cisco Industrial Ethernet switches: Increase productivity, boost security, and empower industrial AI.

[Contact Us](#)



Industrial Fiber Optic Ethernet Switches , SFP, Single-Mode

Explore industrial fiber optic Ethernet switches from a direct manufacturer. SFP, single-mode and multimode fiber switches available in unmanaged and managed designs.

[Contact Us](#)

Contact Us

For datasheets, pricing, or custom fiber access solutions, please visit:
<https://frindel.es>