

Philippine Blue Laser Diode Model





Philippine Blue Laser Diode Model



Philippines Blue Laser Diode Market Size and Forecasts 2032

Growing adoption of blue laser diodes in direct diode laser systems for industrial cutting and welding is accelerating market growth in Philippines. Consumer electronics and optical disc applications

[Contact Us](#)

Direct Diode 455nm 5mW to 100mW Blue Line Laser

Direct diode emission 455nm blue line laser modules get featured advantages of ultra compact structure, easy operation, good direction and high precision blue

[Contact Us](#)



Algolaser Delta 22W Diode Laser Engraver with 3.5

Buy Algolaser Delta 22W Diode Laser Engraver with 3.5 inch TouchScreen Wood Laser Cutter Metal Machine online today! ?Hello this is Ortur Official Store, 100%

[Contact Us](#)

Chapter 1 Laser Diode Basics

Laser diodes are unique compared with other types of lasers. A little background knowledge of laser diodes will be helpful for the readers to understand the contents of this book. We will only briefly



Study of equivalent circuit of GaN based laser chip and

High-speed GaN-based lasers play a pivotal role in visible light communication (VLC) systems; however, the causes of the limited modulation response of our fabricated laser diode (LD)

[Contact Us](#)



Blue Laser Diodes

Our expertise in laser diode technology allows us to provide you with any technical support you may require in selecting the optimum laser diode for your application.

[Contact Us](#)



Pico laser machine 2in1 PICO Diode machine laser

Buy Pico laser machine 2in1 PICO Diode machine laser tattoo removal hair removal skin laser machine online today! 810 diode Laser Hair Removal Working Principle: It goes deep into the skin, is

[Contact Us](#)



450nm 5mW-100mW Blue Laser Diode Modules

High stability beam emitting tool of 450nm blue laser diode module projects intense blue laser light directly from a 450nm blue laser diode within 50mW to 100mW.

[Contact Us](#)



Optical Design Blue Laser Diodes

Our first simulation example is an ingan/ gan high-power laser diode as demon-strated by s. nakamura . the layer struc-ture is illustrated in Figure 3 which plots the refractive index profile and the optical

[Contact Us](#)

Philippines Laser Diode Market (2025-2031) Outlook

6Wresearch actively monitors the Philippines Laser Diode Market and publishes its comprehensive annual report, highlighting emerging trends, growth drivers, revenue analysis, and forecast outlook.

[Contact Us](#)



Compact Blue Laser Diode Modules

Blue Laser Diode Modules available in 450nm and 488nm, and a range of form factors, output powers, and beam shapes to suit your application.

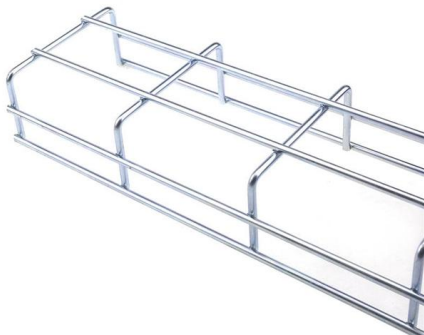
[Contact Us](#)



(PDF) Blue Diode Lasers

The lasers' short wavelengths--around 400 nm, half that of gallium arsenide-based lasers--permit higher spatial resolution in applications such as

[Contact Us](#)



(PDF) Blue Diode Lasers

PDF , The recent achievement of compact blue-emitting gallium nitridesemiconductor lasers is likely to have far-reaching technological and

[Contact Us](#)

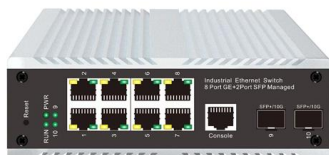
445-495nm Blue Laser Module

Laserland provide 450nm 462nm 473nm blue diode laser module with dot/spot/point, line and cross-hair generator lens, and the power range from 1mW, 5mW, 10mW, 30mW, 50mW, 80mW, 100mW,

[Contact Us](#)

Fast shipment in stock Default white and black, contact customer service for notes

4U standard model



Blue Lasers - violet, cyan, upconversion, laser diodes,

Blue lasers are lasers emitting blue light. There are many different kinds of blue lasers, including laser diodes and frequency-doubled laser sources.

[Contact Us](#)



Blue Lasers - violet, cyan, upconversion, laser diodes,

Serving North America, RPMC Lasers offers a selection of blue lasers including diodes and DPSS systems, from compact to high-power configs, in single-mode

[Contact Us](#)



Laser Diodes, Modules , Optoelectronics , DigiKey

Laser Diodes, Modules Laser Diodes and Modules are semiconductor devices that can emit a beam of high intensity focused radiation, typically in the infrared, visible or ultraviolet wavelength ranges of the

[Contact Us](#)



blue laser diode 3d models

A laser diode is a semiconductor device that emits coherent light through the process of stimulated emission. It's commonly used in various applications, such as optical communications, data

[Contact Us](#)



Longitudinal modes evolution of a GaN-based blue laser diode

In summary, the longitudinal modes spectra of a commercially available GaN-based blue laser diode, Toptica Photonics model # LD-0445-0050-1, have been experimentally studied by

[Contact Us](#)



Blue Laser Diodes in the Real World: 5 Uses You'll Actually

Blue laser diodes are transforming multiple industries, from healthcare to manufacturing. Their ability to emit high-intensity, precise beams makes them invaluable for various applications.

[Contact Us](#)



Philippines Laser Diode Market (2025-2031) Outlook

Laser diodes are crucial components in various applications, from optical communications to medical devices, and this technology is increasingly finding its way into the Philippine market. The demand

[Contact Us](#)

445nm Fiber Coupled Blue Diode Laser System

Up to now, BWT has traded more than 10 million lasers worldwide. BWT's products are available in more than 70 countries and regions, applications involving

[Contact Us](#)



Laser Diodes , element14 Philippines

Buy Laser Diodes. element14 Philippines offers fast quotes, same day dispatch, fast delivery, wide inventory, datasheets & technical support.

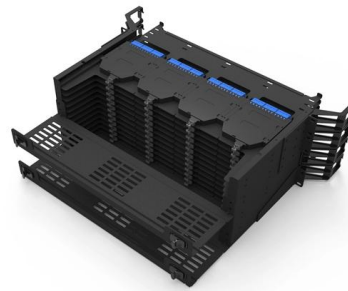
[Contact Us](#)



Blue Laser Diodes

Mobile laser scanning projection applications have specific requirements to the blue laser diodes. Although the requirements like wavelength, beam quality, low threshold and high slope efficiency are

[Contact Us](#)



Philippines Green Laser Diode Market Size and Forecasts 2031

In Philippines Green Laser Diode Market, offering valuable insights, key market trends, competitive landscape, and future outlook to support strategic decision-making and business growth.

[Contact Us](#)

Blue Laser Diodes

The blue InGaN-RWG-Laser in an ultra compact TO-38 i-cut package is perfect for laser scanning projection. It represents the next milestone in the evolution of mobile devices with integrated

[Contact Us](#)



Laser diode green Orange red Blue light

Laser diode green Orange red Blue light
Semiconductor laser driver circuit board Multiple models

[Contact Us](#)



Blue Lasers , 420-499nm, pulsed, CW & diode lasers

Shop RPMC's Blue lasers: 420-499nm, pulsed, CW & diode lasers, for various research & industrial applications like copper & non-ferrous metal welding

[Contact Us](#)



Philippines Blue Laser Diode Market Size and Forecasts 2032

Philippines Blue Laser Diode Market is projected to grow from USD 1.2 billion in 2025 to USD 2.3 billion by 2032, registering a CAGR of 9.8% during the forecast period.

[Contact Us](#)

Contact Us

For datasheets, pricing, or custom fiber access solutions, please visit:
<https://frindel.es>