

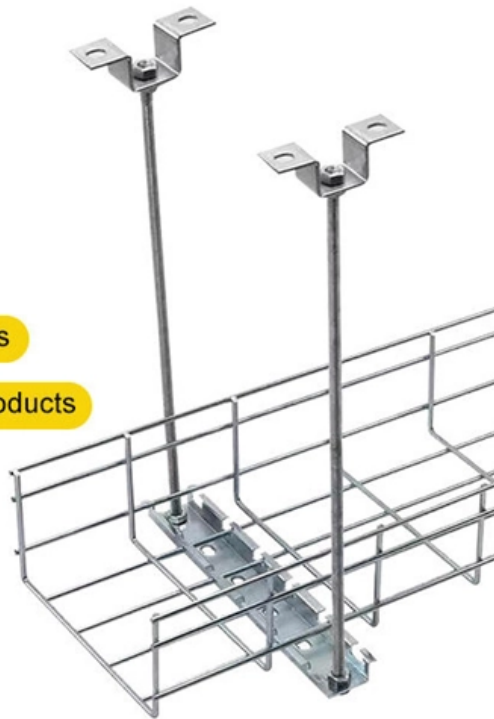
Papua New Guinea Wind Power Generation 400G Optical Module 1G

STAINLESS STEEL WIRE MESH

Long-lasting and durable

Comprehensive specifications

Customized non-standard products





Papua New Guinea Wind Power Generation 400G Optical Module 1G



POET Enters Optical Module Market with 800G Transceiver for

The Wavelight(TM) is an 800G 2xFR4 OSFP module that incorporates the Company's POET Optical Interposer(TM) technology and related optical engine products. Wavelight is the Company's first POET

[Contact Us](#)

White Paper HiSilicon Optoelectronics 400G All

Based on an oDSP and optical components with the highest performance, the 400G MSA module delivers the optimal performance for 400G long-haul transmissions, and a flexible 200-800G DWDM

[Contact Us](#)



400G, 800G, and Terabit Pluggable Optics

400G still growing right now 800G will grow fast (likely 2x 400GbE) o Majority of the highest speed transitions are webscale (top 8) customers o Webscale will drive the speed transitions quickly to

[Contact Us](#)



Photovoltaic and other Remote-Site Power Generation Systems for

Over the past six years the Papua New Guinea Telecommunications network has expanded considerably necessitating the requirements for high reliability power supplies for mountain top



The Evolution of Optical Modules: 400G -> 800G -> 1.6T - A Strategic

Why Optical Modules Matter Now Exponential Demand Growth: Shipments of 400G and 800G modules exceeded 20 million units in 2024, generating nearly \$9 billion in revenue. The optical

[Contact Us](#)



How 400G Optical Transceivers Are Reshaping Data Center

Its optical modules are designed not only to meet IEEE and MSA standards but to exceed them in temperature tolerance, energy efficiency, and signal integrity. This makes the solutions

[Contact Us](#)



FTBx-88480

It's the industry's only portable dual-port 400G test solution that also supports dual-port 400ZR and 400ZR+ coherent optics. Available in three configurations, the

[Contact Us](#)





Papua New Guinea Alcatel-Lucent Compatible 1G SFP BiDi (1310nm)

Alcatel-Lucent SFP-GIG-BX-U40 Compatible LINK-PP LS-BL31491G-40C SFP 1Gbps BiDi Simplex LC/UPC Optical Transceiver Module (SMF, 1310nm-TX/1490nm-RX, 40km, LC, DOM) The LS

[Contact Us](#)



PNG's energy sector and estimation of renewable

Abstract and Figures Papua New Guinea (PNG) is blessed with numerous energy resources, including oil, gas, wind, solar, tidal and biomass.

[Contact Us](#)

Papua New Guinea

With wind, water, geothermal resources, and an abundance of sunshine, PNG is ideally positioned to become a leader in renewable energy. A recent study by the International Finance

[Contact Us](#)



The Evolution of 400G, 800G, and 1.6T Optical Modules

NADDOD, the leading optical modules manufacturer, offers a comprehensive range of transceivers across all rates and form factors, including 200G, 400G,

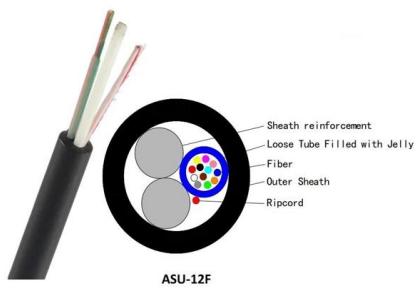
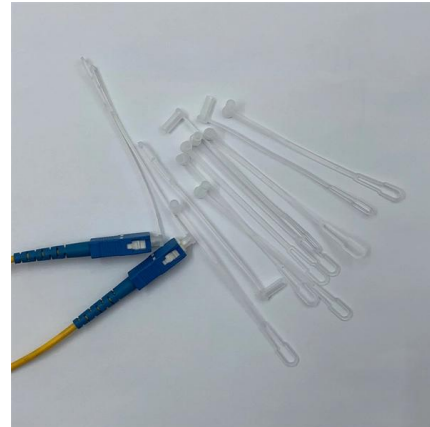
[Contact Us](#)



ENERGY PROFILE Papua New Guinea

Onshore wind: Potential wind power density (W/m²) is shown in the seven classes used by NREL, measured at a height of 100m. The bar chart shows the distribution of the country's land area in each

[Contact Us](#)



Primer: A Guide to 400G Optical Networks

This guide covers all you need to know about 400G, the technology that supports it, and how it is being used in the marketplace.

[Contact Us](#)

How 400G Optical Modules Are Shaping Next-Gen

Discover key factors driving the rapid adoption of 400G optical transceivers, including AI, 5G, coherent optics, and market trends shaping next

[Contact Us](#)

Mesh door/glass door optional



Sp-601 glass door

Sp-602 mesh door



Analysis of 400G OSFP SR4 Optical Module

The 400G OSFP SR4 optical module, with its innovative design, is redefining the performance limits of short-reach optical interconnects. As the new

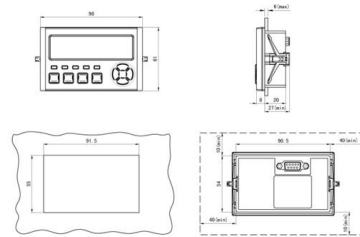
[Contact Us](#)

PNG's Energy Sector and Estimation of Renewable Energy



Abstract--Papua New Guinea (PNG) is blessed with numerous energy resources, including oil, gas, wind, solar, tidal and biomass. Renewable energy resources have taken centre stage as PNG along

[Contact Us](#)



What is a 400G optical module?-Fiber NIC Card

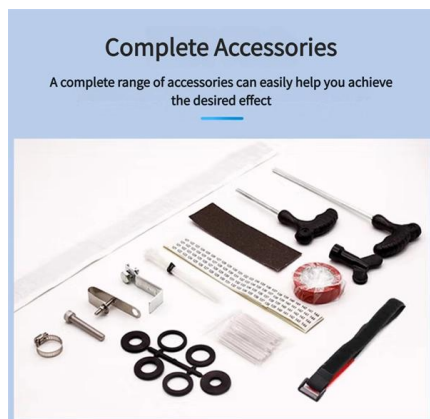
What is the market value of 400G optical modules? As we all know, 100G technology products have matured, 400G is a hot topic of discussion at present, and the industry is very concerned about the

[Contact Us](#)

World Bank Announces Transformative Energy Access Project to

The World Bank has approved the National Energy Access Transformation (NEAT) Project, a \$204 million initiative that will improve the lives of over 400,000 Papua New Guineans by

[Contact Us](#)



Introduction to 400G Optical Modules - KAD

A clear, engineer-friendly overview of 400G optical modules, including standards, packaging formats, functions, and market outlook for next-generation

[Contact Us](#)

Making long-haul large-capacity 400G



optical network a reality

In this Review, we describe the key technologies necessary for long-haul large-capacity 400G optical transmission.

[Contact Us](#)



Optical Transceiver: 400G, 800G, 1.6T and the Leap to

Learn how 400G, 800G, 1.6T, and 3.2T optical transceivers--powered by silicon photonics and CPO--are updating AI, cloud,

[Contact Us](#)

Wind Energy Resource Assessment, Forecasting, and

Wind Energy is poised to play a major role as a sustainable energy for the future in remote parts of Papua New Guinea where the geographical nature

[Contact Us](#)



Optical Transceiver Manufacturer , 1G-800G Optics , Wolon

Source premium optical transceivers (1G to 800G) direct from our Wuhan factories. 100% brand compatible, OEM custom options, and rigorous quality testing.

[Contact Us](#)



Making long-haul large-capacity 400G optical network a reality

Long-haul large-capacity 400G optical transmission over 1,500 km is possible through advanced fibre-optic systems. This Review provides a holistic view of the signal modulation,

[Contact Us](#)



Papua New Guinea HPE Compatible 1G SFP BiDi (1310nm)

HPE SFP-1G-BXUA-40 Compatible LINK-PP LS-BL31491G-40C SFP 1Gbps BiDi Simplex LC/UPC Optical Transceiver Module (SMF, 1310nm-TX/1490nm-RX, 40km, LC, DOM) The LS-BL31491G

[Contact Us](#)

Understanding the 400G ZR: A Revolutionary Coherent

Discover the 400G ZR transceiver module, a cutting-edge coherent optical solution designed for 400Gb Ethernet transport over long DCI links with

[Contact Us](#)



400G/800G InfiniBand: Powering AI & HPC

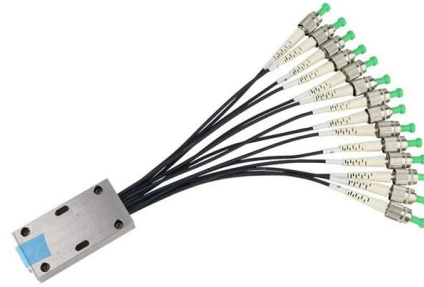
The 400G/800G InfiniBand optical modules are key physical-layer components for achieving these high speeds, primarily used for fiber optic connections between servers, switches,

[Contact Us](#)



A clear, engineer-friendly overview of 400G optical modules, including standards, packaging formats, functions, and market outlook for next-generation

[Contact Us](#)



Contact Us

For datasheets, pricing, or custom fiber access solutions, please visit:
<https://frindel.es>