

# **Panama Silicon Photonics Technology 400G**





## Panama Silicon Photonics Technology 400G

---



### A Silicon Photonics Technology for 400 Gbit/s Applications

A Silicon photonics platform operating at 100 Gbit/s (53Gbaud-PAM4) per lane is demonstrated. Integration of 60 GHz High-Speed Photodiode and efficient High-Speed Phase Modulator into a

[Contact Us](#)

### OpenLight Achieves 400G Silicon Photonics Breakthrough for AI

The platform offers heterogeneous integration of 400G modulators, lasers, and optical amplifiers on a single, compact photonic integrated circuit (PIC), providing advantages in size,

[Contact Us](#)



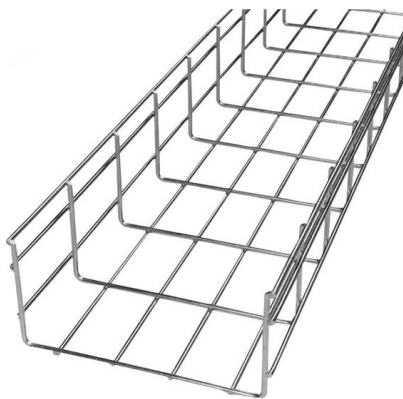
### Silicon photonic components for 400 GB/S transceivers , 45th

Growing demand for data transmission capacity is driving a rapid evolution of optical component architectures and requires photonic technology that combines high levels of photonic integration and

[Contact Us](#)

### OpenLight and TFC Advance Silicon Photonics Back End Integration

"TFC is proud to support our customers in the development of the next generation of silicon photonics such as the showcased 400G EAM on TGV substrate" said Lucy Ou, Chief



### How 400G Optical Modules Are Shaping Next-Gen

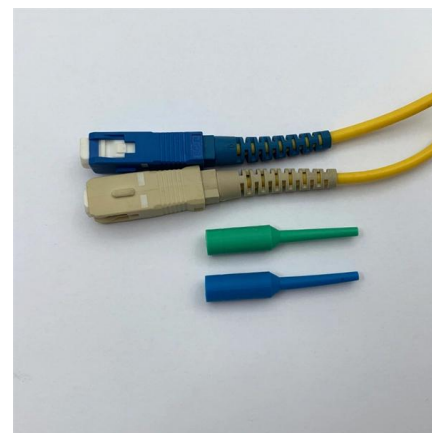
Discover key factors driving the rapid adoption of 400G optical transceivers, including AI, 5G, coherent optics, and market trends shaping next

[Contact Us](#)

### 400G/100G PAM4 and Silicon Photonics Technology

This article details 400G, 100G PAM4, and 100G optical transceiver modules as well as Silicon Photonics Technology.

[Contact Us](#)



### OpenLight and Tower Semiconductor Demonstrate 400G/lane

Innovation paves the way for a high-volume, silicon photonics 400G/lane platform to meet next-generation 3.2T optical communication architectures for datacom and AI applications.

[Contact Us](#)

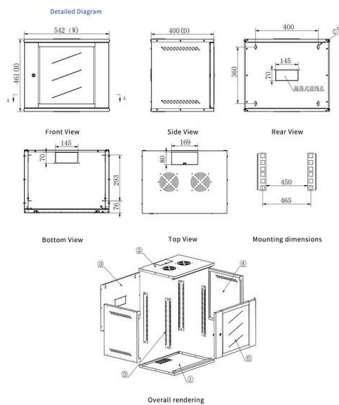




### Inphi Introduces Next-Generation 400G DR4 Silicon Photonics

Inphi brings high volume silicon wafer scale manufacturing to the optics industry by offering customers the option to purchase Inphi-designed high-performance 400G DR4 PICs in full

[Contact Us](#)



### Silicon Photonics Platform for 400G Data Center Applications

We demonstrate a silicon photonic platform for 400G data center 500m to 120km applications. The silicon platform has successfully integrated a variety of C-band and O-band passive and active

[Contact Us](#)

### Figure 1 from 400G Silicon Photonics Integrated Circuit Transceiver

Figure 1. (a) Bandwidth density and energy efficiency of all optical form factors with comparison to 400G-FR4 chipsets in this work. (b) 3D sketch of CPO transceivers and switch package with assumptions



[Contact Us](#)



### Exploring 400 Gbps/? and beyond with AI-accelerated silicon photonic

Here, we propose an artificial intelligence (AI)-accelerated silicon photonic slow-light technology to explore 400 Gbps/? and beyond transmission.

[Contact Us](#)



## Exploring 400 Gbps/? and beyond with AI-accelerated silicon photonic

By utilizing an AI-accelerated silicon photonic slow-light technology, researchers demonstrate a record 400 Gbps/? PAM-4 transmission based on pure silicon modulators, paving the

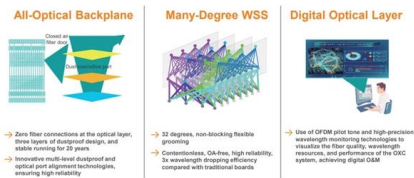
[Contact Us](#)



## OpenLight and Tower Semiconductor Demonstrate 400G/lane

The integrated silicon photonics demonstration is designed to support next-generation 400G/lane optical communication architectures, offering a scalable solution from 100G to 200G to

[Contact Us](#)



## Nokia WaveFabric Elements Optical Portfolio for 400G

Its extremely low power enables integration into a variety of pluggable transceiver modules. The Nokia CSTAR family of optical engines leverages state

[Contact Us](#)



## POET Technologies Teams-up with SiLUX Technologies to

SiluxTek's Silicon Photonic Modulator PIC is being used to complete the 400G engine, providing high-speed modulation of light for data transmission.

[Contact Us](#)



## Inphi sampling 400G DR4 silicon photonics platform



Inphi will partner with Cloud Light to show off the 400G DR4 silicon photonics platform as part of ECOC's virtual exhibition December 7-9, 2020.

[Contact Us](#)



### **Optical Transceiver: 400G, 800G, 1.6T and the Leap to**

Learn how 400G, 800G, 1.6T, and 3.2T optical transceivers--powered by silicon photonics and CPO--are updating AI, cloud,

[Contact Us](#)



### **DustPhotonics Carmel4: 400G DR4 Silicon Photonics Chip**

The 'Carmel4' is a 400Gbps Photonic Integrated Circuit (PIC) engine supporting four optical transmit lanes operating at 100Gbps per lane with PAM-4 modulation

[Contact Us](#)



### **Coherent Unveils 2x400G-FR4 Lite Silicon Photonics**

Coherent's broader datacom portfolio spans technologies including VCSELs, EMLs, DMLs, and silicon photonics, giving the company flexibility to

[Contact Us](#)



### **Inphi Introduces Next-Generation 400G DR4**



## Silicon Photonics

Inphi brings high volume silicon wafer scale manufacturing to the optics industry by offering customers the option to purchase Inphi-designed high-performance 400G DR4 PICs in full

[Contact Us](#)



## Industry-leading 400G silicon photonics transceiver

Broadex Technologies (Shenzhen Stock Exchange 300548), a leading provider of optoelectronic components to the telecom and datacom markets,

[Contact Us](#)



## OpenLight and Tower Semiconductor Demonstrate , OpenLight

Innovation paves the way for a high-volume, silicon photonics 400G/lane platform to meet next-generation 3.2T optical communication architectures for datacom and AI applications.

[Contact Us](#)



## Silicon Photonics

Silicon Photonics Hyper Photonix advanced Hyper Silicon(TM) technology is a powerful silicon photonic integration platform for both PAM and coherent optical chips

[Contact Us](#)



## Silicon Photonics Light Up 400G Data Centers

July 25, 2022 -- The Silicon Photonics technology is widely used in 400G data centers and has been a cornerstone of technology innovation in recent years

[Contact Us](#)



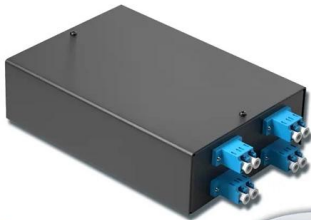
## OpenLight, Tower, trial 400G/lane modulators

The integrated silicon photonics demonstration is designed to support next-generation 400G/lane optical communication architectures, offering a scalable solution from 100G to 200G to

[Contact Us](#)

4-port 8-core LC wall-mounted fiber terminal box (empty frame)

Surface painted    Scientific plate fiber    Cold-rolled steel plate



Lifetime quality assurance

Free shipping

Customizable for telecommunication

## Silicon Photonics Unlock New Architecture For 400G

SHENZHEN, China, Aug. 1, 2022 /PRNewswire/ -- FIBERSTAMP is proud to release the 400G data center interconnect architecture based on silicon photonics

[Contact Us](#)



## Inphi: Alcor 400G DR4 Silicon Photonics Platform

The new Alcor platform includes Inphi's field-proven PAM4 DSP technology, linear TIA, and driver to provide even higher levels of integration and lower power for

[Contact Us](#)





## OpenLight, Tower show 400G photonic chip

"We're pleased to collaborate with OpenLight, leveraging their cutting-edge silicon photonics technology to create a cost-effective approach to support

[Contact Us](#)

Integrated Aluminum Alloy  
Die Casting



Durable and Secure Metal Screws



## Contact Us

---

For datasheets, pricing, or custom fiber access solutions, please visit:  
<https://frindel.es>