

PCB board to optical module





PCB board to optical module



OSFP800 800G Optical Module PCB

A 10-layer any-layer HDI PCB for OSFP800 800G optical modules. The design uses M7-class high-frequency, high-speed material, 3/3 mil dense routing, ENEPIG surface finish, segmented gold

[Contact Us](#)

New Paradigm of Optical Interconnection Under the Computing Power

The sustained demand for AI computing power drives optical interconnection technology to evolve from traditional pluggable modules into three new technical routes: NPO, CPO and XPO,

[Contact Us](#)



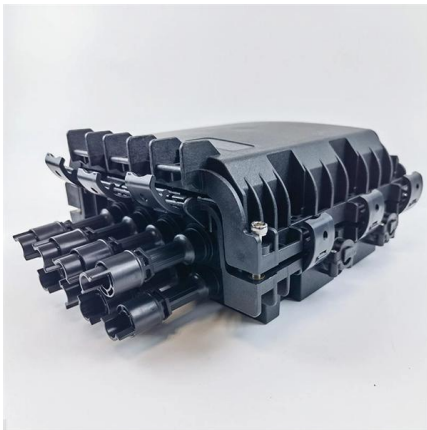
Flip-chip module. (a) Photograph of a flip-chip module

Content may be subject to copyright. Flip-chip module. (a) Photograph of a flip-chip module within the centre cut-out of a printed circuit board (PCB), mounted in a

Optical Module PCBs

Designing an optical module PCB involves a complex process that comprehensively balances electrical performance, thermal management, signal integrity, and manufacturability.

[Contact Us](#)



Optical Module PCB , APTPCB

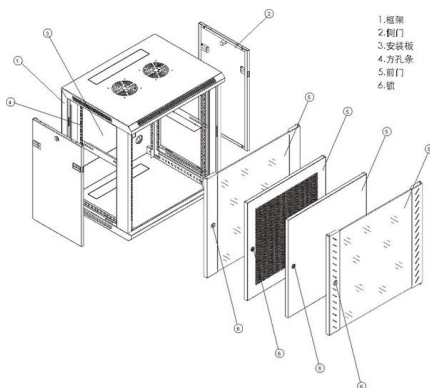
A comprehensive guide to Optical Module PCB design and manufacturing. Learn definitions, key metrics, selection trade-offs, and validation steps for high-speed transceivers.

[Contact Us](#)

LED Light Ring Assembly: PCBA Cable Integration Guide

Control LED light ring assembly sourcing with PCBA, cable, LED binning, ESD, strain relief, test, and release criteria for pilot production.

[Contact Us](#)



4G optical module PCB

4G optical module PCB circuit boards are widely used in optical fiber communications and other fields. The optical module PCB is made of Shengyi

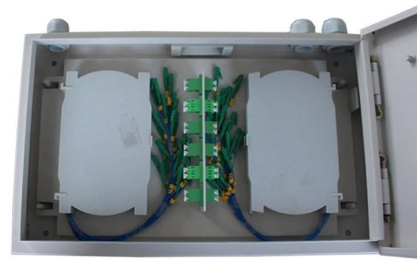
[Contact Us](#)

Embedded Optical Interconnects in PCBs for Ultra High



Most PCB designers--except those that work on optical transceivers--are probably not aware of the coming revolution in silicon photonic

[Contact Us](#)



High-Speed PCB Solutions for 400G and 800G Optical Modules

This guide explains the key PCB technologies, materials, manufacturing processes, and cost considerations for 400G and 800G optical modules in 2026.

[Contact Us](#)

optical module pcb

Optical module PCBs are mainly used in high-speed communication fields such as optical fiber modules, 5G, and large data centers. Optical modules

[Contact Us](#)



Optical Module PCB

Optoelectronic Interface: The PCB board connects critical optoelectronic components within the module, such as lasers and photodetectors. These components require

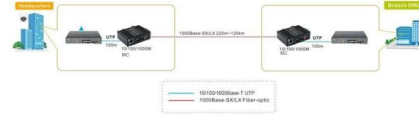
[Contact Us](#)



**ABB N4BG
1KHW002238R0001/1KHW002237R0001
OPIC1 R1A PCB Board**

ABB N4BG 1KHW002238R0001 / OPIC1 R1A 1KHW002237R0001 is an ABB OPIC series optical fiber pilot protection interface board. It is specially designed for power system relay protection and

[Contact Us](#)



What is Optical PCB?

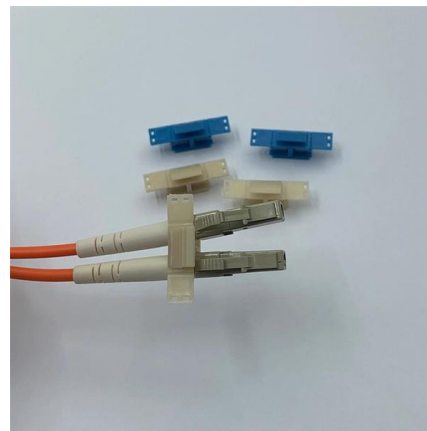
This article delves into the intricacies of PCB optical modules, discussing their applications, technical requirements, distinct characteristics, and

[Contact Us](#)

AiPCBA

AiPCBA is an intelligent manufacturing service company including PCB manufacturing, PCB Assembly, Electronic Component Supply & Sourcing, Turnkey PCB Assembly services and other custom

[Contact Us](#)



**The Ultimate Guide to SFP Modules (2026):
Types,**

Confused by SFP vs SFP+? Read the definitive 2026 guide on SFP modules. We explain Single Mode vs Multimode, DDM diagnostics, and how to choose the right

[Contact Us](#)



Key Technology of Optical Module PCB

The technical characteristics of optical module PCBs are therefore mainly reflected in gold finger processing technology, high-speed material selection, and critical thermal management

[Contact Us](#)



Co-packaged optics: promises and complexities

On-board optics (OBO) move the primary functionality of the pluggable transceiver to a module on the switch's PCB, shortening the copper channel

[Contact Us](#)

Optical Modules and PCBs: Driving High-Speed Data Transmission in

Our leadership in AI-enabled communication networks makes us the perfect partner for high-quality, value-driven optical modules and PCBs. In this blog, we'll explore the background,

[Contact Us](#)



104475398 PCB (printed circuit board) cleaning system

The invention provides a PCB (printed circuit board) cleaning system which comprises a transmission track, a first optical sensing unit, a control unit, an air pressure source module, an air

[Contact Us](#)

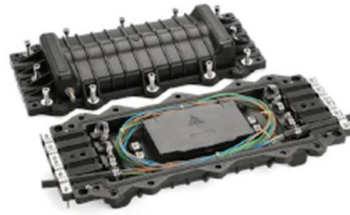




Optical Modules: 400G, 800G, 1.6T, and PCB Selection in Manufacturing

Optical modules are critical components in modern communication systems, acting as the bridge between electrical and optical signals. In simple terms, they convert electrical signals from

[Contact Us](#)



Contact Us

For datasheets, pricing, or custom fiber access solutions, please visit:
<https://frindel.es>