

Original Manufacturer of In-Home Distribution Boxes





Original Manufacturer of In-Home Distribution Boxes

Distribution enclosure, Distribution box



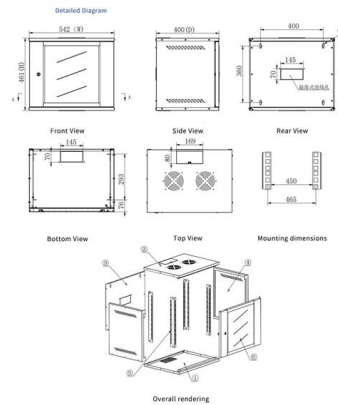
Find your distribution enclosure easily amongst the 112 products from the leading brands (RITTAL, BOPLA, ROSE,) on DirectIndustry, the industry specialist for your professional purchases.

[Contact Us](#)

BOXMAKER distribution boxes

Distribution boxes Boxmaker "made to measure" buy now Distribution boxes, also known as manifolds, are components of ventilation systems used to separate and direct air to different rooms in a building.

[Contact Us](#)



Distribution Box: Types and Functions , Axis-Electricals

A distribution box ensures that electrical supply is distributed in the building, also known as a distribution board, panel board, breaker panel, or electric panel.

[Contact Us](#)



Distribution Boxes Explained: Types, Functions, and

Learn about distribution boxes, their types, functions, and safety features to ensure efficient and secure electrical power distribution in any building.



The Importance of Distribution Boxes in Electrical Systems

Learn more about how distribution boxes play a critical role in the safe and efficient operation of electrical systems.

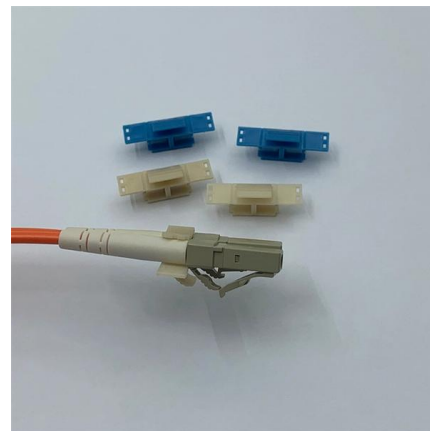
[Contact Us](#)



Understanding Distribution Boxes:A Comprehensive Guide

A distribution boxes is an essential device that manages the safe and efficient flow of electrical power throughout different areas of a building or facility.

[Contact Us](#)



Top 6 Distribution Box Makers with Innovative Features in 2025

See the best distribution box manufacturer picks for 2025, featuring top brands with advanced safety, smart features, and global certifications.

[Contact Us](#)





Distribution enclosure, Distribution box

Used for strong current connection of high voltage distribution box, all-in-one controller, battery box and other equipment. JX59 single-core series adopt plastic housing, while JX59M single-core series

[Contact Us](#)



17 AC Distribution Box Manufacturers in 2026

This section provides an overview for ac distribution boxes as well as their applications and principles. Also, please take a look at the list of 17 ac distribution box manufacturers and their company rankings.

[Contact Us](#)

Top Distribution Box Manufacturers Compared for 2025

Compare top distribution box manufacturer options for 2025 by quality, innovation, certifications, and support to choose the best fit for your project.

[Contact Us](#)



Distribution Box Supplier & Manufacturer in China

Leading electrical distribution box manufacturer in China. Reliable power distribution boards for industrial and commercial systems with OEM support.

[Contact Us](#)



Top 10 distribution box manufacturers and suppliers you should know

The right distribution box does more than route electricity - it protects investments and lives. Whether upgrading an office building or securing a manufacturing plant, these top manufacturers combine

[Contact Us](#)



Efficient Power Distribution Boxes , Nijsha Enterprise

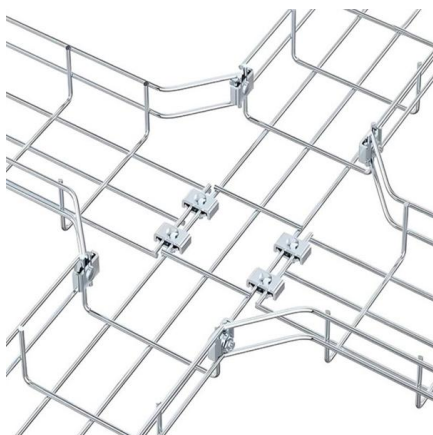
Nijsha Enterprise is a leading manufacturer of high-quality power distribution boxes. Our boxes are designed to provide reliable and efficient distribution of electrical

[Contact Us](#)

Power Distribution Units - Tailored Solutions , INDU-ELECTRIC®

With INDU-ELECTRIC Power Distribution Units, you can safely deliver electrical energy wherever it is needed. Our solutions are not only extremely reliable but can also be individually configured to meet

[Contact Us](#)



Original equipment manufacturer

Original equipment manufacturer Supply chain pyramid An original equipment manufacturer (OEM) is a company that produces parts and equipment that may be marketed by another company.

[Contact Us](#)



Distribution Box Manufacturer in India

VLI is your trusted electrical distribution box manufacturer for reliable and high-quality power management solutions. Request a quote today.

[Contact Us](#)



Top 10 Power distribution box manufacturers in the World 2025

Are you curious about which power distribution box manufacturers stand out in quality and reliability? Understanding the top factories is crucial for making informed decisions.

[Contact Us](#)

Power Distribution Box Essentials: Functions, Types

Power distribution boxes are important in homes, offices, and industries, enabling the smooth and safe flow of power while reducing risks and

[Contact Us](#)



Distribution Box Manufacturer, Best Power Distribution

Distribution Box Manufacturer DOHO is a major manufacturer of distribution boxes and products in China. We have been providing quality OEM/ODM service to

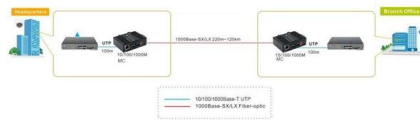
[Contact Us](#)



DISTRIBUTION BOX

VIOX offers high-quality stainless steel distribution boxes in 201, 304, and 316 grades. From cost-effective indoor solutions to corrosion-resistant options for

[Contact Us](#)



Distribution Boxes , Fibox , ABS Electrical Enclosures I Demesne

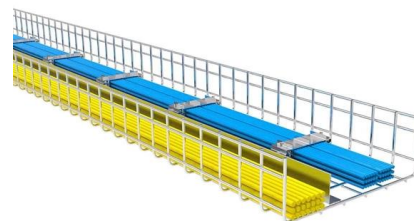
Designed and manufactured in Italy, the Euro2000 range of Distribution Boxes offer quality and reliability across the entire range. Suited for a wide variety of applications in the electrical engineering industry.

[Contact Us](#)

Power Distribution Boxes Explained Simply

Discover the essentials of a Power Distribution Box--how it works, key types, benefits, and tips to ensure safe, efficient electrical power management.

[Contact Us](#)



Ultimate Guide To Distribution Boxes Db Boxes Types

This ultimate guide explains what a distribution box does, its internal components, common types, real-world applications, and how to select the right DB Box for

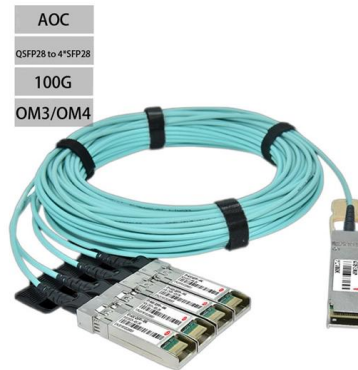
[Contact Us](#)



Custom Power Distribution Box Manufacturers , J& HW

We deliver tailored solutions for electrical power distribution boxes and distribution electrical boxes, avoiding unnecessary features and ensuring a perfect fit for your

[Contact Us](#)



Original equipment manufacturer

They are primarily for PC manufacturer OEMs and system builders, and as such are typically sold in volume licensing deals to a variety of manufacturers (Dell, HP, ASUS, Acer, Lenovo, etc.). These

[Contact Us](#)



Contact Us

For datasheets, pricing, or custom fiber access solutions, please visit:
<https://frindel.es>