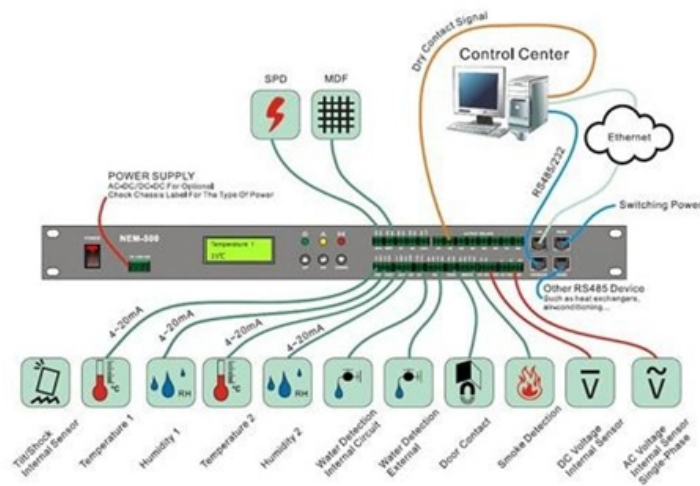


Optical-to-electrical module jumper





Optical-to-electrical module jumper



How to Select a Suitable Fiber Optic Jumper for an Optical

Compared with electrical port modules, the situation of optical transceiver modules is much more complicated. This is because different optical transceiver have different transmission

[Contact Us](#)

The difference between electrical interface module and optical module

1, Different interfaces: The interface of the electrical interface module is RJ45, while the interface of the optical module is mainly LC duplex, and there are also LC simplex and MTP/MPO interfaces. 2,



[Contact Us](#)



Understanding Fiber Jumper Cables: A Comprehensive

What is a Fiber Jumper Cable? Fiber jumper cables, called fiber patch cords, are also short optical fibers equipped with connectors at both ends.

[Contact Us](#)

A Comprehensive Overview of Optical Transceivers

Table of Contents What Are Optical Modules?
Optical modules (also called optical transceivers) are critical components in fiber optic communication



Optical-To-Electrical Power Conversion and Data Transmission Module

Use of optical fiber to supply power for an electrical sensor or actuator is advantageous in applications where galvanic isolation between a control and remote unit is required or when immunity

[Contact Us](#)



OP710-ANX Multichannel Optical to Electrical Converter

The OP710-ANX incorporates individual channels of optical to electrical (O/E) converters and is an easy-to-implement multichannel O/E converter for

[Contact Us](#)



Optical Fiber Jumper in the Real World: 5 Uses You'll

Optical fiber jumpers are essential components in modern telecommunications and data networks. They serve as the physical links that connect different parts of fiber optic systems,

[Contact Us](#)

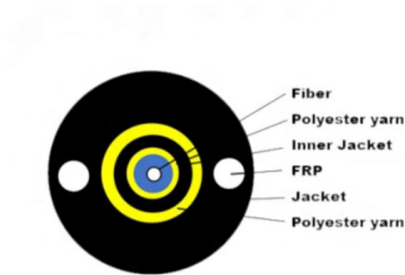




OPTICAL TO ELECTRICAL CONVERTER

Our high performing O2E allows you to successfully test high baudrate signals with up to 50GHz of bandwidth. Choose from DC or AC coupling to suit your specific test application. Onboard storage of

[Contact Us](#)



N7005A

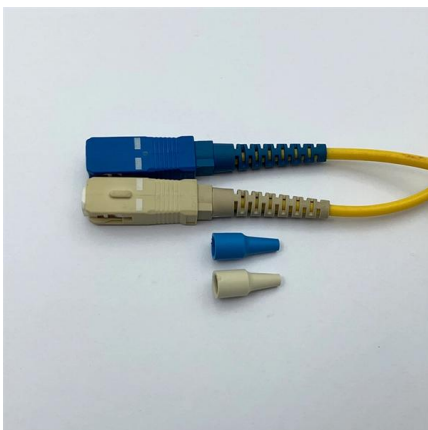
The N7005A from Keysight Technologies is an Optical to Electrical Converter that operates from 1250 to 1600 nm. It features a high-sensitivity DC-coupled photodetector module which is designed for direct

[Contact Us](#)

6-channel VME optical-to-electrical converter , Highland

The V730 is a six-channel logic-level optical-to-electrical converter, packaged as a single-width, 6U VME module. When used with compatible Highland optical

[Contact Us](#)



Fiber Optic Jumpers

Get exactly the jumper you need to make the transition from cross-connect point to the electronics. With unmatched insertion loss and exceptional return loss, OCC's

[Contact Us](#)



N7005A 60 GHz Optical-to-Electrical Converter , Keysight

The N7005A Optical-to-Electrical Converter is a high-sensitivity photodetector module for optical-to-electrical conversion of optical signals into oscilloscopes.

[Contact Us](#)



How to choose an appropriate optical fiber jumper for

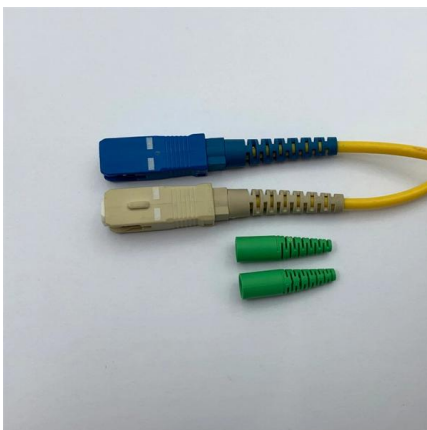
Transmission mode: Select single-mode fiber jumper or multi-mode fiber jumper (OM3, OM4, or OM5) based on the transmission mode of the optical

[Contact Us](#)

The Evolution of Optical Modules: Powering the Future

Data centers, the beating hearts of this digital revolution, are tasked with processing and moving massive volumes of data at unprecedented speeds.

[Contact Us](#)



How to choose the fiber jumpers when using optical module

Here we introduce the optical fiber jumper classification module how to choose fiber jumpers. General Fiber jumper s classification and is summarized as follows: (1) FC fiber optic patch: External

[Contact Us](#)



Everything You Need to Know About Optical Modules

Optical modules are electronic devices used in communication systems to transmit optical signals. These modules convert electrical signals into optical

[Contact Us](#)



The Most Comprehensive Guide Of Optical Modules

Explore the ultimate guide to optical modules. Learn types, functions, performance metrics & how to choose the right module for your fiber network.

[Contact Us](#)

Fiber jumper and fiber optic terminal box analysis

Let me introduce to you what the fiber jumper is, the type of fiber jumper, and the structure of the fiber jumper and the knowledge of the fiber optic

[Contact Us](#)



How to choose the fiber jumper of the optical module?

Different optical modules correspond to different optical fiber interfaces. The interface of a common optical module usually has two ports (one for receiving optical signals and one for

[Contact Us](#)



Optical to Electrical Converters

Description: 33 GHz optical-to-electrical converter (including 1x optical-to-electrical converter module, 2x Fiber optic FS/FC-A1 connector, 2x FC dust cap and 1x carrying case)

[Contact Us](#)



Optical module

Optical modules can either plug into a front panel socket or an on-board socket. Sometimes the optical module is replaced by an electrical interface module that implements either an active or passive

[Contact Us](#)

Optical-to-Electrical Converters

For measurements in laboratories and manufacturing, optical signals often need

[Contact Us](#)



What is an Optical to Electrical Converter?

As the name suggests it is a modulating device that converts incoming optical signals from a laser source to electrical signals, in data communication systems. This device usually consists of a

[Contact Us](#)

Overview of SFP Gigabit Optical Module



The SFP (Small Formfactor Pluggable) gigabit optical module is a critical component in optical communication systems, used to achieve optical-to-electrical conversion. Typically, devices

[Contact Us](#)



N7004A Optical-to-Electrical Converter, 33 GHz

The N7004A is the first fully-integrated optical-to-electrical converter solution for Infiniium real-time oscilloscopes. A full suite of optical measurement software is

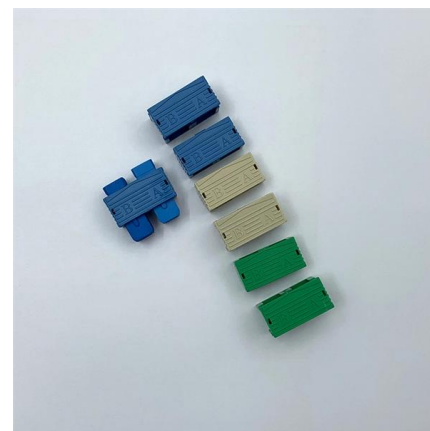
[Contact Us](#)



MPO to HDMI Jumper: Working Principle and Applications

Explore the MPO to HDMI jumper's working principle, leveraging fiber optic technology for long-distance, high-bandwidth 4K/8K audio-video

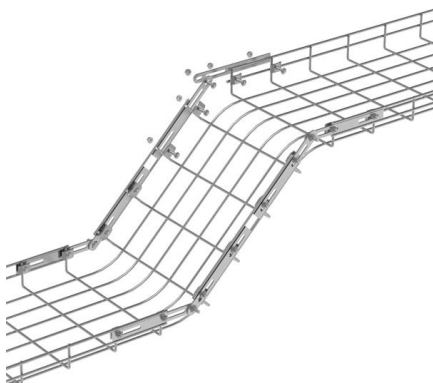
[Contact Us](#)



Optical Jumper

Explore our extensive collection of optical jumpers. Designed for seamless connectivity, our optical jumpers provide reliable and efficient transmission of data and signals.

[Contact Us](#)





Contact Us

For datasheets, pricing, or custom fiber access solutions, please visit:
<https://frindel.es>