

Optical Module Die Casting Machining





Optical Module Die Casting Machining



Precision Die Casting for Optical Transceiver Housings

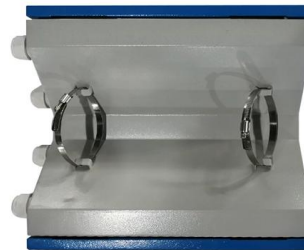
This blog post discusses the importance of optical transceiver housings, the precision die casting process, and the advantages it offers.

[Contact Us](#)

Premium 400g Qsfp-Dd Die Casting Housing for Optical Modules

Our strategic approach utilizes automated CNC machining alongside economical zinc alloy die-casting to provide high-value solutions at competitive rates, all while maintaining exceptional quality.

[Contact Us](#)



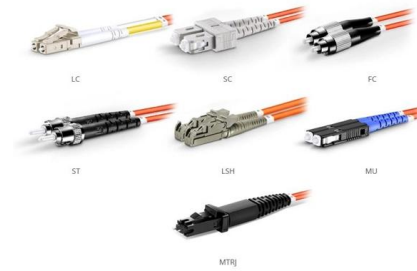
High-End Precision Die-Casting Osfp Optical Module

High-End Precision Die-Casting Osfp Optical Module Structure, Find Details and Price about Zinc Machining Part Zinc Alloy Bottom Shell from High

[Contact Us](#)

Die-casting Products Manufacturer, CNC Machining Parts, Optical Module

Die-casting Products Supplier, CNC Machining Parts, Optical Module Structural Components Manufacturers/ Suppliers - Dongguan Guangwei Communication Technology Co., Ltd.



OM1 Fiber Patch Cable Family



Why Die Castings Are Essential for Modern Optical Modules

Aoke offers custom optical module die casting solutions that integrate cooling fins, mounting brackets, and connector ports--all in a single molded unit. This reduces secondary machining, assembly

[Contact Us](#)

The Tolerance of Die Casting for the Optical Transceiver

In conclusion, die casting is a highly effective manufacturing process for optical transceiver housings, capable of achieving tight tolerances. The

[Contact Us](#)



Professional Factory Precision Die-Casting Qsfp-28

Professional Factory Precision Die-Casting Qsfp-28 Optical Module Structure, Find Details and Price about Zinc Machining Part Zinc Alloy Bottom Shell from

[Contact Us](#)





Why Optical Module Manufacturers Choose Zinc Die Casting As

Why Optical Module Manufacturers Choose Zinc Die Casting As optical communication technology continues to evolve, the demand for high-speed and highly reliable optical modules is increasing

[Contact Us](#)



Gigabit Zinc Alloy Hot Chamber Die Castings Housing SFP Optical Module

Q1: What is Yixiang Precision's expertise in global exports? A: With a rich legacy spanning over two decades, Yixiang Precision stands as a beacon of manufacturing excellence in precision metal

[Contact Us](#)

Optical Metrology for Toolmaking in Casting

During CNC machining of pressure die-cast tools and electrodes, wax patterns and ceramic core dies as well as sand core boxes, early control of each manufacturing step by comparing nominal and actual

[Contact Us](#)



Die-casting Products Manufacturer, CNC Machining Parts, Optical

We specialize in precision die-casting components (optical module structural parts, connector housings, aluminum alloy structures, etc.)-supporting small-batch prototyping to mass production (100PCS to

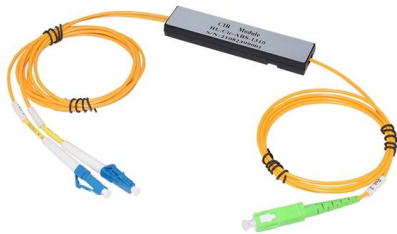
[Contact Us](#)



Custom Zinc Alloy Optical Module Die Casting Shell Manufacturer

If you are looking for the custom zinc alloy optical module die casting shell, we can offer the free custom services for you. Free samples available!

[Contact Us](#)



Zinc Aluminum Alloy Die Castings for Optical Module

Zinc Aluminum Alloy Die Castings for Optical Module, Find Details and Price about Aluminum Cookware Automobile Accessories from Zinc Aluminum Alloy Die Castings for Optical Module - Qingdao

[Contact Us](#)

Optics Die Casting

Elimold offers sand casting, die casting and investment casting processes for optical components to ensure consistent quality assurance. We also provide services

[Contact Us](#)



Why Optical Module Manufacturers Choose Zinc Die Casting As

Zinc die casting allows manufacturers to achieve high dimensional accuracy and excellent repeatability, making it suitable for high-volume production of precision components.

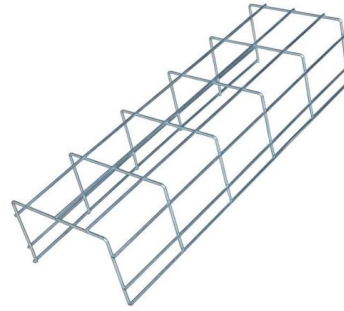
[Contact Us](#)



Custom Die Casting For Optical Communication , GuangWei

Guangwei is a professional precision die casting and machining manufacturer, integrating zinc, aluminum, and magnesium alloy die casting, mold design, CNC machining, and surface finishing into

[Contact Us](#)



Application Of Die-Casting In Optical Module Housing

Given these requirements, die casting emerges as an ideal manufacturing technique for optical module housing. Its ability to produce high

[Contact Us](#)



High-Speed Zinc Alloy Hot Chamber Die Casting Optical Module for

As an SFP optical module housing industry benchmark, our zinc alloy die-casting technology ensures efficiency and precision for demanding communication equipment.

[Contact Us](#)



Custom Die Casting For Optical Transceiver Enclosure Supplier

Find high-quality SFP die castings for optical modules. Precision and durability from reliable zinc die casting parts suppliers. Contact for best price!

[Contact Us](#)





What is Qsfp28 Zamak 3# Base Die Castings for Optical Module

Bulkbuy Qsfp28 Zamak 3# Base Die Castings for Optical Module price comparison, get China Qsfp28 Zamak 3# Base Die Castings for Optical Module price comparison from Zinc Alloy Optical Module

[Contact Us](#)



Die Casting Optical Transceiver Housing

Our housings are integrally die-cast from aluminum alloy. Focus on controlling the dimensional accuracy of key mating interfaces and the flatness of contact surfaces, and structurally ensure the connection

[Contact Us](#)



Custom Precision Die Cast Module Bracket / Housing for Optical

Custom precision die cast module bracket made of high-quality zinc alloy. Features tight dimensional tolerance, precise slot geometry, and robust mechanical strength.

[Contact Us](#)



Premium 400g Qsfp-Dd Die Casting Housing for Optical Modules

As an SFP optical module housing industry benchmark, our zinc alloy die-casting technology ensures efficiency and precision for demanding communication equipment.

[Contact Us](#)





Casting information-

2024-09-26 1.Casting information casting name:
optical module casting requirement: surface
requirements casting process: Die Casting
machine tonnage:250 alloy material:High heat
transfer

[Contact Us](#)



Contact Us

For datasheets, pricing, or custom fiber access solutions, please visit:
<https://frindel.es>