

# Opening a hole in the wall to pass through a cable tray





## Overview

---

This blog post aims to guide you through the process of drilling a hole in your wall for cable installation with ease and precision, covering essential steps such as choosing the right drill bit, locating the perfect spot to drill, and safely running your cables through. Drilling a hole in your wall might sound daunting, but it's a surprisingly achievable DIY task. This hardware creates a neat, finished opening in the drywall, allowing cables to pass directly into the wall cavity and emerge near. Scope: Firestopping for busway, cable trays, cables, and trunking passing through walls in enclosed electrical installations.



## Opening a hole in the wall to pass through a cable tray

---



### How To Drill Through Exterior Wall For Cable?

Drilling through an exterior wall for cable installation can seem daunting, but with the right approach, it's a manageable task. Throughout this article, we've covered the essential steps and

[Contact Us](#)

### Firestopping a cable tray penetration through an exterior

A cable tray with (11) 500MCM 15kV cables (shown on the ground in the picture) will pass through an outdoor concrete firewall via a 36x8x6 deep opening (you can

[Contact Us](#)



### How To Run Wires Through Walls

Running electrical cable inside finished walls starts with marking the framing and planning the best cable route. Cable can be "fished" through framing

[Contact Us](#)

### How To Drill Hole In Wall For Cable?

To minimize damage, use a drill bit that is the correct size for the cable, apply gentle to moderate pressure, and maintain a consistent angle. Additionally, consider using a drywall anchor or



### How To Drill A Hole In Wall For Cable?

Frequently Asked Questions What is the purpose of drilling a hole in a wall for a cable? Drilling a hole in a wall for a cable is necessary to create a pathway for cables to pass through the

[Contact Us](#)

### Code compliant way to pass cord through a wall?

It is legal to install a junction box on or in a wall, run in-wall cable to another junction box only, and place an outlet on one junction box and an inlet on

[Contact Us](#)



### Cable Installation Through Walls: Easy Steps for Your

You'll need to create holes for your cables to pass through. For low voltage cables like HDMI or ethernet, you can use special low voltage boxes that don't require

[Contact Us](#)





## How to Drill a Hole in a Wall for a Cable

Safely bore precise holes for cable routing. Follow expert steps to avoid utilities and achieve a flawless, finished installation.

[Contact Us](#)



## How To Run Cable Wires Through A Wall? Follow

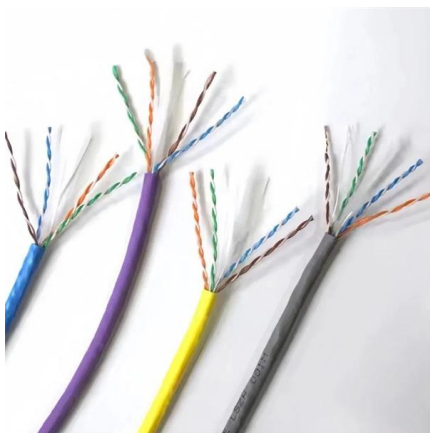
What to Avoid: Keep cables away from electrical lines and light fixtures to prevent interference and hazards. Avoid using damaged or inferior-quality

[Contact Us](#)

## Running Cable Through Walls: Our Detailed Guide

Home Guides Running Cable Through Walls: Our Detailed Guide Free shipping over \$99. Easy returns. Satisfaction guaranteed.

[Contact Us](#)



## Google

Checking your browser before accessing undefined Click here if you are not automatically redirected after 5 seconds. Checking your browser - reCAPTCHA

[Contact Us](#)



## Step By Step: How to Run Wire Through a Wall

Jeremy Levee of Houston, Texas, wrote to say that he enjoyed my "Step by Step" column on how to mount a flat-panel TV. But he realized that a TV

[Contact Us](#)



## How do I get a cable to pass through the hole in my wall

Edit; It's a 15M pipe that runs through the walls all the down to the ground floor. FIXED; The solution to the problem was getting a plastic sandwich bag and wrapping it like a bandminton shuttlecock and

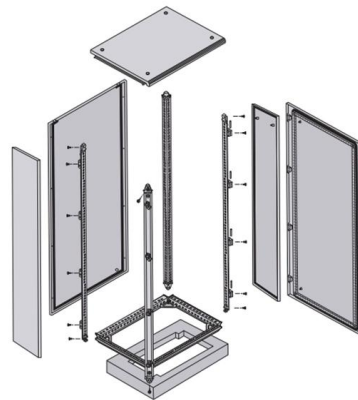
[Contact Us](#)



## Mastering Cable Tray Installation , Step-by-Step Guide for a Seamless

Learn how to install cable trays correctly. Get the ultimate step-by-step guide on setting up a seamless and reliable cable management system.

[Contact Us](#)



## How to Safely Drill Wall Holes for Cable Management: A Complete Guide

Learn how to drill holes in your walls for cables the safe way! Our guide covers everything from cable management tips to drilling techniques, ensuring a tidy, secure, and visually

[Contact Us](#)

## How to Install a Drywall Cable Pass-



## Through

This hardware creates a neat, finished opening in the drywall, allowing cables to pass directly into the wall cavity and emerge near the connected device, such as a television or media

[Contact Us](#)



## Wall Eye Solutions

Wall Eye Solutions offers a large variety of fully tubed wall ports. These ports create a fully sealed opening through a wall or barrier, leaving an aesthetically pleasing

[Contact Us](#)

## Cable Tray Penetrations: Problem Solved!

Cable trays seemed to run through fire rated barriers with reckless abandon; the holes created by passing the tray through the wall or floor varying in size and shape.

[Contact Us](#)



## Firestopping Requirements for Cable Trays and

Where cables pass through shafts, walls, slabs, or enter electrical panels or cabinets, openings shall be tightly sealed with firestopping materials in

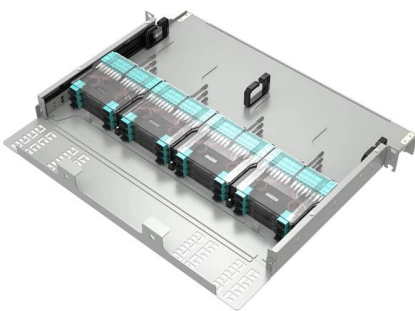
[Contact Us](#)



## Drilling Holes For Containment Regulations/Guidance , Prime Cut

Precise wall and floor drilling holes for cable containment. Compliant with BS 7671 and fire safety regs. Ideal for hospitals, offices, and data centres.

[Contact Us](#)



## How to Safely Drill Holes in Walls for Cables: Expert Tips and Safety

Learn expert tips for drilling holes in walls to conceal cables safely and beautifully! Discover the best drill bit size, how to locate studs accurately, and essential safety precautions to

[Contact Us](#)

## How to Install a Wall Cord Pass-Through System

A wall cord pass-through system routes various cables through the interior of a wall cavity, typically behind drywall, to maintain a clean aesthetic. This organization is achieved by directing unsightly

[Contact Us](#)



## How do I run ethernet cable through a wall cavity?

I want to install an ethernet jack in an interior wall of one room. I'd like to run the cable up through the wall cavity (so it is hidden) into the crawl space and back

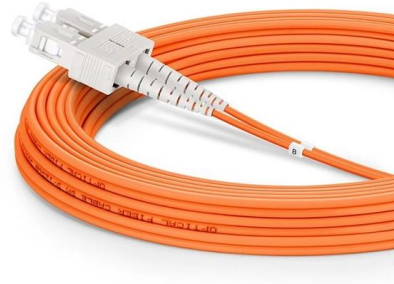
[Contact Us](#)



## How to Drill through Wall for Cable? - Simple Steps To Follow

Drilling through walls for cable installation can seem daunting, but it's a necessary step in creating a seamless and organized space. With the increasing demand for smart home technology,

[Contact Us](#)



## Contact Us

---

For datasheets, pricing, or custom fiber access solutions, please visit:  
<https://frindel.es>