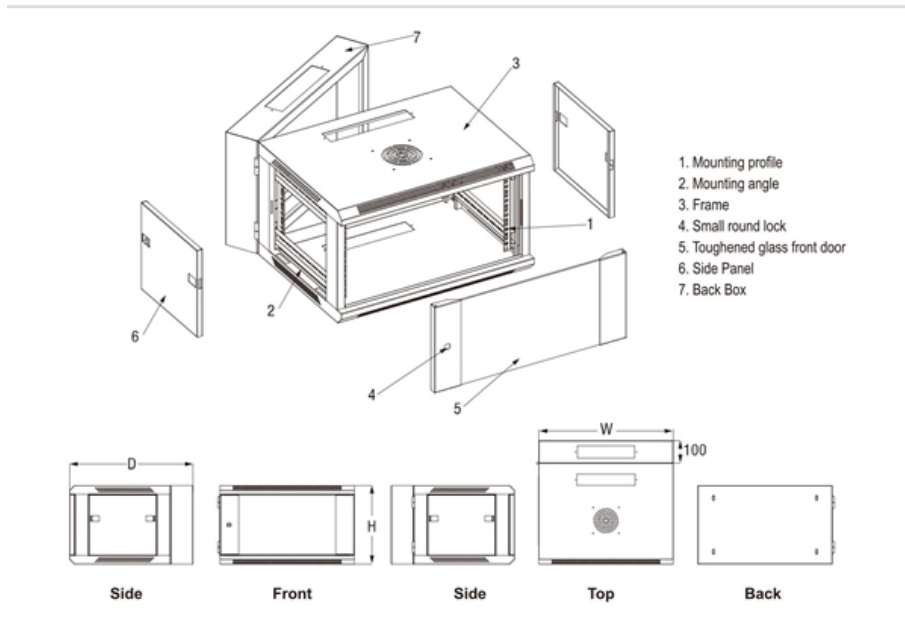


On-site tutorial for cable tray installation





On-site tutorial for cable tray installation



Mastering Cable Tray Installation , Step-by-Step Guide for a Seamless

Mastering cable tray installation is crucial for creating a safe, organised, and efficient cable management system. By following this step-by-step guide, you can ensure a seamless setup that

[Contact Us](#)

A Guide to Installing and Supporting Electrical Cable Trays

This guide covers the critical steps, from selecting the right electrical cable tray and performing accurate cable fill calculations to managing a safe cable pull through

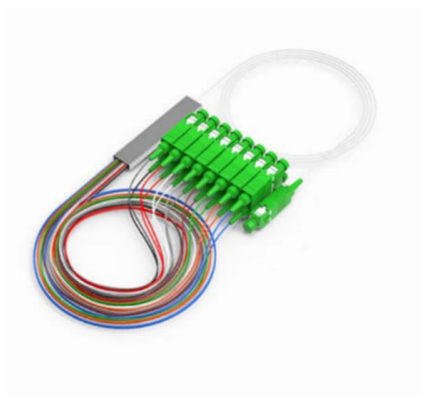
[Contact Us](#)



Cable Tray Installation

Learn everything about cable tray installation with our complete guide. Discover types, steps, and safety tips for efficient electrical cable management.

[Contact Us](#)



Cable Tray Technical Guide A practical guide to product selection and

Cable Tray Technical Guide A practical guide to product selection and installation This guide for engineers and installers has been developed by ABB as a practical reference regarding cable tray



How to Install Cable Tray: A Comprehensive Guide to

Welcome to our step-by-step guide on installing cable trays! In this video, we'll explore the different types of cable trays available and provide

[Contact Us](#)

How to install Cable Trays - Best Guide in 2026

Step-by-step on-site guide: learn how to plan, mark, support, and install cable trays correctly, from shop drawing approval to final checks.

[Contact Us](#)



Cable Tray Installation and Maintenance Considerations

Learn about effective Cable Tray Installation and Maintenance. Get practical tips for planning, fitting, and looking after your cable trays.

[Contact Us](#)





How To Install Cable Tray On Wall: A Step-By-Step Guide

Learn how to install a cable tray on a wall with this comprehensive guide. Step-by-step instructions, tools needed, and safety tips included.

[Contact Us](#)



Full guide of cable tray installation and sizing

How to Install Cable Tray: A Comprehensive Guide to Different Cable Tray Types Newlink Cabling Systems - Cable Trays "How to Install Video" US Navy Launched Something That Shouldn't Exist

[Contact Us](#)

INSTALLATION GUIDE

The ladder tray system must be complete before the cable/conductors are installed. The ladder tray system must be free of any hazards, which will interfere with the cable's install.

[Contact Us](#)



4-port 8-core LC wall-mounted fiber terminal box (empty frame)

Surface painted Scientific plate fiber Cold-rolled steel plate



Lifetime quality assurance

Free shipping

Customizable for telecommunications

Cable Tray Installation Guide

In this helpful guide, we break down the importance of cable trays and how to manage installation in a few simple steps.

[Contact Us](#)

Cable Tray and Conduit Installation Method



Statement

Step-by-step cable tray and conduit installation method with safety, quality and inspection procedures as per IEEE standards.

[Contact Us](#)



A Guide to Installing and Supporting Electrical Cable Trays

A professional guide to installing electrical cable tray systems per NEC Article 392. Covers support, securing cables, and fill calculations.

[Contact Us](#)



Complete cable tray manual for electrical engineers and

Complete cable tray manual for electrical engineers and designers (on photo: power cable management ladder tray systems assembled aluminum cable tray ladder

[Contact Us](#)



Efficient Cable Tray Installation Methods for Organized

Discover efficient methods for installing cable trays to organize power, data, and security cables. Explore wall, ceiling, and floor mounting options

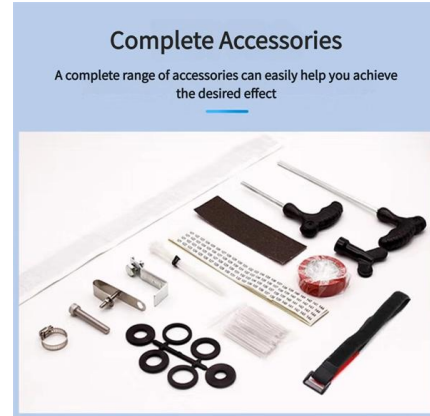
[Contact Us](#)



Cable Tray Trunking & Ladder Installation Method for

Resources For Electrical & Electronic Engineers
Cable Tray Trunking & Ladder Installation Method for Projects The purpose of this article is to define the

[Contact Us](#)



Method Statement for Installation of Cable Tray or Trunking

On completion of cable tray/ ladder installation including fittings, inspect exposed finish. Remove burrs & construction debris and repair damages finishes

[Contact Us](#)



How to Install cable tray Practical Skills

In the electrical wiring of buildings, a cable tray system is used to support insulated electrical cables used for power distribution, control, and communication. cable tray sizes chart cable tray

[Contact Us](#)



Master Cable Tray Installation: A Professional Step-by

Learn how to install cable trays for large-scale projects with our professional, step-by-step guide covering industry standards, safety protocols,

[Contact Us](#)



5 Steps to Learn How to Install Cable Trays



Installing a cable tray system requires careful planning to ensure it can support the weight of the cables and adheres to electrical safety codes. Here

[Contact Us](#)



Mastering Cable Organization: A Step-by-Step Guide to Installing

Unlock the secrets of efficient cable management with our comprehensive guide on installing Medium Duty Cable Trays. Maximize space, minimize clutter, and ensure a seamless flow

[Contact Us](#)

Cable Tray Installation Method Statement

This method statement outlines the procedures for installing cable trays, including: 1. Planning preparation such as assigning supervisors, briefing

[Contact Us](#)



Contact Us

For datasheets, pricing, or custom fiber access solutions, please visit:
<https://frindel.es>