

ODF wiring unit





Overview

An Optical Distribution Frame (ODF) is a dedicated unit designed to organize, terminate, and interconnect fiber optic cables. It brings together fiber splicing, patching, and cable routing in a single structure, while shielding sensitive connectors and splices from mechanical. They protect connections with a lockable DCX CABINET 10-HOUSING 84x36x15, LEFT-RIGHT. Crafted for telecommunications, data centers, FTTH/FTTP deployments, and central network hubs, Unisol's ODF cabinet.



ODF wiring unit



ODF (Optical Distribution Frame)

ODF (optical distribution frame) is a frame used to provide cable interconnections between communication facilities, which can integrate fiber splicing, fiber termination, fiber optic

[Contact Us](#)

Optical Distribution Frame (ODF): What It Is, How It Works, and Why It

An Optical Distribution Frame (ODF), also known as a fiber optic patch panel, is a specialized hardware unit that centralizes fiber optic cable connections. Acting as a "traffic hub" for light signals, an ODF:



[Contact Us](#)



Odf Optical Fiber Distribution Frame Manufacturer

ODF fiber optic distribution frame, also known as fiber optic distribution cabinet, is a distribution equipment used for terminating, protecting, connecting, and managing

[Contact Us](#)

ODF Cabinets & Accessories

Belden's DCX Optical Distribution Frame (ODF) Cabinets offer unlimited scalability and maximum signal integrity for a large fiber cross-connect. Explore our space

[Contact Us](#)



Open Distribution Frame (ODF) Flat Packs, Cabinets, and Frames

Open Distribution Frame (ODF) Flat Packs, Cabinets, and Frames P/N 003-1073-AEN Issue 1
These installation instructions should be used as a guide by the trained fitter performing the installation.

[Contact Us](#)



ODF Explained: Types, Architecture, Management

A complete engineering guide to Optical Distribution Frames (ODF): types, components, fiber capacity planning, MPO/MTP compatibility, protection

[Contact Us](#)



Guide to Optical Distribution Frames (ODFs)

What Is an ODF? An Optical Distribution Frame (ODF) is a dedicated unit designed to organize, terminate, and interconnect fiber optic cables. It brings

[Contact Us](#)



What is Optical Distribution Frame in



Telecom Networking

ODF serve as centralized points for connecting, splicing and distributing optical signals in data centers and other telecom network parts.

[Contact Us](#)



Optical Distribution Frame(ODF)Manufacturer , Sopto

Optical Distribution Frame (ODF) is integrated components in any fiber management system to handle termination and cross-connection of cables. Pre-terminated ODFs with cables are pre-installed with

[Contact Us](#)

Analysis of the type and advantages of ODF wiring cabinet

An ODF (Optical Distribution Frame) wiring cabinet is an essential component in fiber optic networks. It is designed to provide a centralized location for the interconnection, splicing, and

[Contact Us](#)



All Details About Optical Distribution Frame (ODF)

ODF has the functions of fiber optic cable fixing, protection, termination, and line adjustment. It can be individually assembled into a fiber

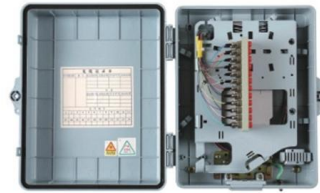
[Contact Us](#)



ODF Install Instructions

This installation procedure provides general guidance and instructions on how the ODF should be installed and secured. It is the installer's responsibility to fully assess the environment and the

[Contact Us](#)



ODF Unit , Efficient Optical Distribution Frame for Fiber

ODF Unit enables safe, organized fiber cable termination and splicing. Ideal for efficient optical network management in data and telecom systems.

[Contact Us](#)

Fiber Management OPTICAL DISTRIBUTION FRAME (ODF)

MODEL ODF-C220 Fiber-Rex ODF is a high capacity, high-density fiber distribution frame, suitable for the composition and distribution of fibers in optical access network to achieve the fiber optic lines

[Contact Us](#)



Guide to Optical Distribution Frames (ODFs)

An Optical Distribution Frame (ODF) is a dedicated unit designed to organize, terminate, and interconnect fiber optic cables. It brings together fiber

[Contact Us](#)

What is an Optical Distribution Frame?



Learn everything about Optical Distribution Frames (ODF), including their structure, types, features, installation, and differences from patch panels.

[Contact Us](#)



12 To 96 Core ODF Fiber Optic Distribution Box Fiber

With splice trays in the box and integrate heat sealing and wiring into one. Apply double-sided structured optical fiber splice tray to make full use of the two sides

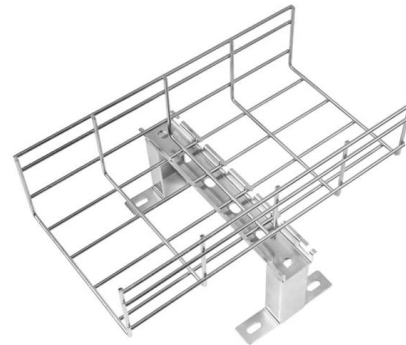
[Contact Us](#)



What is Optical Distribution Frame (ODF)?

Say, an optical-digital hybrid distribution frame integrates ODF, DDF (Digital Distribution Frame), and PDU (power distribution unit) in a single unit. It is

[Contact Us](#)



The functional requirements of the ODF optical fiber wiring frame

An Optical Distribution Frame (ODF) is a device used in telecommunication networks to provide a centralized location for terminating and interconnecting optical fiber cables. The ODF is

[Contact Us](#)





Optical Distribution Frames (ODF)

Explore optical distribution frames (ODF) with efficient distributed chassis solutions at CommScope

[Contact Us](#)



Optical Distribution Frame (ODF): The Complete Guide for Fiber

Comprehensive guide to Optical Distribution Frames (ODF) for data centers. Learn ODF types, installation best practices, fiber management, patch panels, MPO/MTP solutions, and high

[Contact Us](#)

FS Community

Hier sollte eine Beschreibung angezeigt werden, diese Seite lässt dies jedoch nicht zu.

[Contact Us](#)



What Is An Optical Distribution Frame ODF?

Optical fiber distribution frame (ODF) as an important optical cable management equipment, is widely used in data centers to store, organize, manage and protect

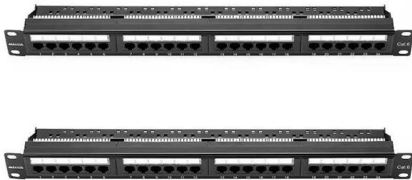
[Contact Us](#)



How to enter the ODF wiring rack optical fiber?

ODF (Optical Distribution Frame) wiring rack is an essential component of optical fiber communication systems. It is used to terminate, connect, and distribute optical fibers, and it can be

[Contact Us](#)



Ordering information

NO.	1	2	3	4
Model	F3041	F3042	F31043	F31044
Product name	Patch Panel	Patch Panel	Patch Panel	Patch Panel
Illustration				
Hz	1	2	3	4
Maximum number of cores	96	192	288	384
Product size (including packaging, modules and accessories)	482.0*208.7*43.7mm	482.0*208.7*88.0mm	482.0*208.7*132.3mm	482.0*208.7*177.0mm
Standard color code	RAL9005	RAL9005	RAL9005	RAL9005

What Is an Optical Distribution Frame (ODF)?

An ODF is a central hub in fiber optic networks, crucial for managing and organizing the variety of fiber-optic cables and connections entering a facility such as a telco

[Contact Us](#)

ODF optical fiber wiring frame

ODF (Optical Distribution Frame) is a critical component in fiber optic communication systems. It is a type of frame or cabinet that provides a centralized location for the termination, splicing, and

[Contact Us](#)



Contact Us

For datasheets, pricing, or custom fiber access solutions, please visit:
<https://frindel.es>