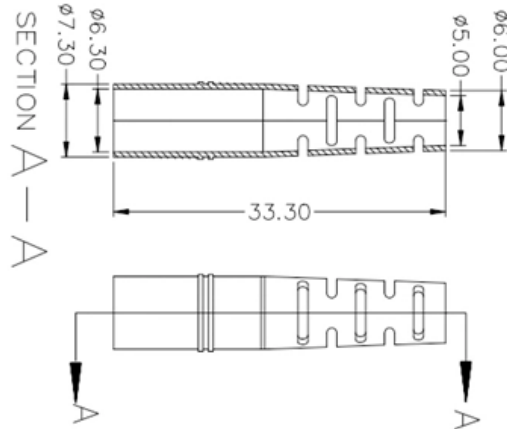


# ODF frame Optical cable





## Overview

---

An optical distribution frame (ODF) is a central hub in fiber optic networks, crucial for managing and organizing fiber optic cables and connections. It brings together fiber splicing, patching, and cable routing in a single structure, while shielding sensitive connectors and splices from mechanical stress or. This guide demystifies ODF, exploring their design, core functions, types, and how they. As data centers, enterprises, telecom operators, and smart-building infrastructures deploy increasingly dense fiber links, ODFs provide the structured.



## ODF frame Optical cable

---



### Optical Distribution Frame (ODF) Essentials: Design, Installation

An Optical Distribution Frame (ODF) is the physical heart of any structured vesel network. In plain terms, an ODF is the enclosure where incoming fiber cables are routed, spliced, terminated and cross

[Contact Us](#)

### What Is an Optical Distribution Frame (ODF)

An Optical Distribution Frame (ODF) is a centralized system used to terminate, connect, and manage multiple fiber cables within a telecommunication

[Contact Us](#)



### Optical Distribution Frame (ODF) Essentials: Design, Installation

An Optical Distribution Frame (ODF) is the physical heart of any structured ?????? network. In plain terms, an ODF is the enclosure where incoming fiber cables are routed, spliced, terminated and

[Contact Us](#)



### Optical Distribution Frame System

Optical Distribution Frame System Achieve successful cable management, handle high amounts of fiber cable and add density to fiber frames with the new DCX

[Contact Us](#)



### ODF Explained: Types, Architecture, Management

An Optical Distribution Frame (ODF) is the central hub for fiber splicing, termination, patching, and cable protection in modern optical networks.

[Contact Us](#)



### The Difference of Optical Fiber Distribution Frame and

ODF distribution frame: It is an indispensable part of the information room, and has the functions of optical cable fixed protection, optical cable connection, line

[Contact Us](#)



GAIN AN IN - DEPTH UNDERSTANDING OF



- ① LED DISPLAY PANEL
- ② PROTECTOR OPERATION BUTTONS
- ③ NEUTRAL WIRE OUTPUT TERMINAL
- ④ LIVE WIRE OUTPUT TERMINAL
- ⑤ WORKING CURRENT AND VOLTAGE INSTRUCTIONS
- ⑥ FLAME - RETARDANT SHELL

### What is Optical Distribution Frame ODF?

ODF, also known as optical distribution frame or fiber optic patch panel, is a critical device used in optical communication for managing and

[Contact Us](#)



## Optical Distribution Frame (ODF) Essentials: Design, Installation

An Optical Distribution Frame (ODF) is the physical heart of any structured kiud network. In plain terms, an ODF is the enclosure where incoming fiber cables are routed, spliced, terminated and cross



[Contact Us](#)



## Fiber Optic Patch Panel , ODF Optical Distribution

Overview The Fiber Optic Patch Panel, often referred to technically as an ODF (Optical Distribution Frame) or Fiber Termination Panel, is the central nerve

[Contact Us](#)

## What is an Optical Distribution Frame (ODF) and How to

Learn what an Optical Distribution Frame (ODF) is, its key components, types, and how to choose the best ODF for your fiber optic network

[Contact Us](#)



## Optical Distribution Frame (ODF) in Telecom: Types & Uses

An Optical Distribution Frame (ODF) is a specialized enclosure designed to manage, connect, protect, and distribute fiber optic cables in telecom and data networks.

[Contact Us](#)



## ODF vs Fiber Termination Box vs Fiber Optic

To realize the connection of fiber optic cable, we often need to use ODF (optical distribution frame), fiber optic termination box ( rack mount fiber

[Contact Us](#)



## Frames, Panels, Cassettes & Modules

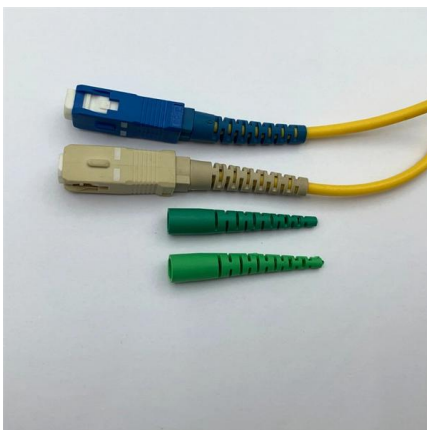
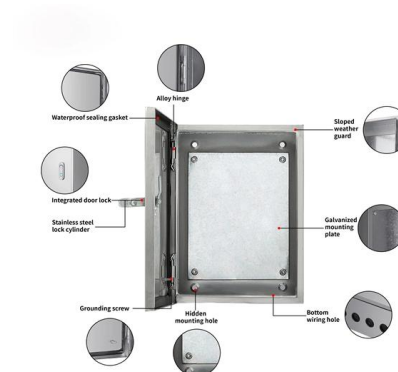
Frames, Panels, Cassettes & Modules ensure superior protection, reliability and scalability for your indoor networks.

[Contact Us](#)

## Optical Distribution Frame Cabinet

Optical Distribution Frame Cabinets\* Belden's DCX Optical Distribution Frame (ODF) Cabinets are fully configurable, front access cabinets that serve as a high-density

[Contact Us](#)



## Optical Distribution Frame (ODF) Essentials: Design, Installation

An Optical Distribution Frame (ODF) is the physical heart of any structured vlakno network. In plain terms, an ODF is the enclosure where incoming fiber cables are routed, spliced, terminated and

[Contact Us](#)

## What Is an Optical Distribution Frame



**(ODF)?**

An optical distribution frame (ODF) is a central hub in fiber optic networks, crucial for managing and organizing fiber optic cables and connections. ODFs are designed

[Contact Us](#)



**ODF optical fiber wiring frame**

ODF (Optical Distribution Frame) is a critical component in fiber optic communication systems. It is a type of frame or cabinet that provides a centralized location for the termination, splicing, and

[Contact Us](#)

**ODF-E-72 4U optical distribution frame 72 Cores -AOA**

72 Cores Optical Distribution Frame Overview  
Fiber Management Tray also called ODF Distribution Box, Integrated Splicing and Distribution ODF. It is mainly used

[Contact Us](#)



**TT-OFT Optical Fiber Cable Tensile Testing Machine**

TESTRON TT-OFT Optical Fiber Cable Tensile Testing Machine designed for precise testing of optical fiber cables under tensile and crush conditions. It

[Contact Us](#)



## Guide to Optical Distribution Frames (ODFs)

An Optical Distribution Frame (ODF) is a dedicated unit designed to organize, terminate, and interconnect fiber optic cables. It brings together fiber

[Contact Us](#)



### Optical Distribution Frame (ODF): High-Density Rack

An Optical Distribution Frame (ODF), also known as fiber distribution frame or optical fiber distribution frame, is the central cross-connect and termination hub in fiber

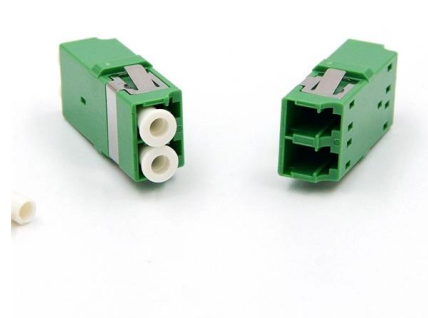
[Contact Us](#)



### ODF 24 Ports SC SX patch panel

The ODF 24 Ports SC SX patch panel is a crucial component for optimizing fiber optic network performance. This high-density solution provides a centralized

[Contact Us](#)



### Japan Rack Mount Optical Distribution Frame (ODF) Market

The "Japan Rack Mount Optical Distribution Frame (ODF) Market" prioritizes cost control and efficiency enhancement. Additionally, the reports cover both the demand and supply sides of the

[Contact Us](#)



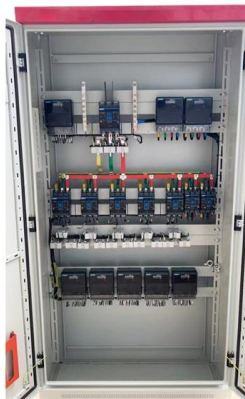
### Optical Distribution Frame (ODF): The Complete Guide for Fiber

Comprehensive guide to Optical Distribution



Frames (ODF) for data centers. Learn ODF types, installation best practices, fiber management, patch panels, MPO/MTP solutions, and high

[Contact Us](#)



### Why Optical Distribution Frames (ODF) Are Essential for

An Optical Distribution Frame (ODF) is a crucial infrastructure component in optical fiber networks used to manage, organize, and protect fiber

[Contact Us](#)

### Optical Distribution Frame ODF Suppliers,

Fiber optic patch panel are essential for long-distance transmission in low-voltage engineering, as only fiber optic patch panel can extend network transmission

[Contact Us](#)



LoRawan outdoor base station



### ODF (Optical Distribution Frame)

ODF (optical distribution frame) is a frame used to provide cable interconnections between communication facilities, which can integrate fiber splicing, fiber termination, fiber optic

[Contact Us](#)



## Contact Us

---

For datasheets, pricing, or custom fiber access solutions, please visit:  
<https://frindel.es>