

Network security device deployment scenarios

Application





Network security device deployment scenarios



IDS Deployment Considerations and Topology Guide

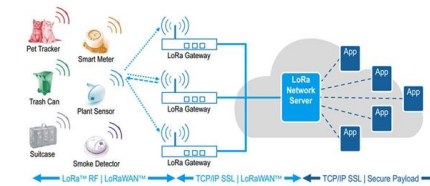
Discover key IDS deployment considerations and topology tips to optimize network security and ensure accurate intrusion detection across all

[Contact Us](#)

Please read

Wireless networks do not require physical access to the network equipment in the same way as wired networks. This makes it easier for unauthorized users to passively monitor a network and capture all

[Contact Us](#)



Windows Autopilot Reset , Microsoft Learn

Windows Autopilot Reset takes the device back to a business-ready state, allowing the next user to sign in and get productive quickly and easily.

[Contact Us](#)



Network Device Security: Guide and Best Practices

Network device security is one of the most important elements of network management. Learn what it is and best practices to follow.

[Contact Us](#)



Best practices for network security

This article provides a set of best practices for network security using built in Azure capabilities.

[Contact Us](#)



10 steps to choose and deploy a network-security solution

Choosing a new network-security solution need not be difficult -- but it might take a lot of planning and research. Here's what you need to do to properly implement your network-security

[Contact Us](#)



Network Security Devices Explained: Types, Examples

Explore the most important network security devices--firewalls, intrusion prevention systems, VPNs, and more. Learn how each protects your business network and keeps your data secure.

[Contact Us](#)





Deployment Scenario

Security and safeguards: Advanced reactor design and deployment scenarios create both opportunities and risks related to security and safeguards. The opportunities include items such as longer fuel

[Contact Us](#)



Scenario-Based TrustSec Deployments

Instead of starting from the very beginning, you can follow the guidelines for a particular deployment scenario and then, if necessary, customize it to suit your network requirements.

[Contact Us](#)

Case Study: Real-World Applications of Firewalls and IDS

For organizations looking to enhance their network defenses, these real-world applications offer a valuable blueprint for informed decision-making and strategic implementation of

[Contact Us](#)



The Ultimate Network Security Architecture Guide for IT Leaders

Learn how to design, implement and optimize your network security architecture. Including framework, metrics, trends and expert insights.

[Contact Us](#)



Scenario-Based TrustSec Deployments

Scenario-Based TrustSec Deployments Cisco Trusted Security (TrustSec) is an integrated system including several Cisco products that offer authentication and identity-based access control to

[Contact Us](#)



Network Security Plan: Develop & Implement In 8 Steps

There are 8 steps to a network security plan which include: Understand your Business Model, Perform A Threat Assessment, Develop IT

[Contact Us](#)



Deployment-driven Security Configuration for Virtual Networks

The methodology outlines two typical deployment scenarios, identifies use cases and their associated security requirements, the security solutions to meet those requirements, the virtual

[Contact Us](#)



6 Network Security Use Cases

Network security statistics reveal that cyber-attacks affected 350+ million individuals in the U.S. In this article, we explore network security use

[Contact Us](#)

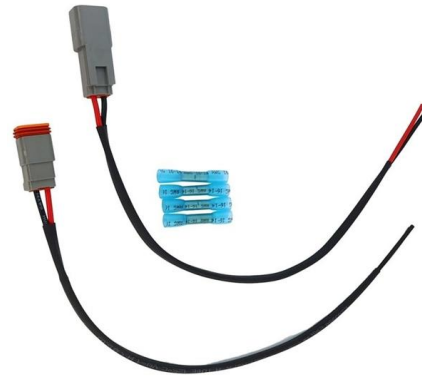




Securing Network Infrastructure Devices

Learn about the threats and risks associated with network infrastructure devices and how you can protect your network from cyber-attacks.

[Contact Us](#)



Deployment Scenarios and Topologies , Connected Security

CSDS Deployment Scenarios Table 1 provides details about the deployment models based on the Junos OS devices, load balancing type, and the security services.

[Contact Us](#)

The Most Common NGFW Deployment Scenarios

In this scenario, network consolidation may be possible because the NGFW can replace multiple devices. The key considerations for this scenario are:

[Contact Us](#)



PALO ALTO NETWORKS FIREWALLS & PANORAMA

Planning Phase Prior to deploying the Palo Alto Networks firewalls, one must decide on which model to select. Palo Alto Networks firewalls have different versions of the physical and virtual models,

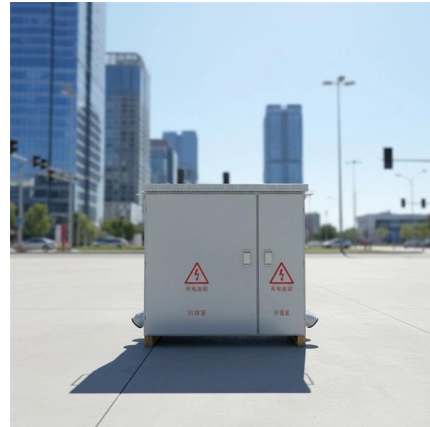
[Contact Us](#)



18 Types of Network Security Solutions to Implement

Everything you need to know about the fundamental types of network security, from firewalls and VPNs to vulnerability management and endpoint

[Contact Us](#)



Deployment scenarios

The topics that describe these deployments provide general guidance to assist you in deciding how to deploy Network Manager. For more detailed information, see the release notes.

[Contact Us](#)



10 steps to choose and deploy a network-security solution

The process of selecting and implementing a network-security solution involves three types of activities: gathering information about both your own organization and potential security

[Contact Us](#)



Comprehensive Guide to Networking Devices in Cybersecurity: Real

Understanding the distinct capabilities and optimal deployment scenarios for various cybersecurity networking devices enables organizations to construct comprehensive security architectures that

[Contact Us](#)





How to Deploy Network Solutions for Various Business Scenarios

Learn how to design, install, configure, and maintain network systems for different business needs, such as remote work, data backup, network expansion, automation, and security.

[Contact Us](#)



TOP COMMONLY DEPLOYED SCENARIOS PALO ALTO

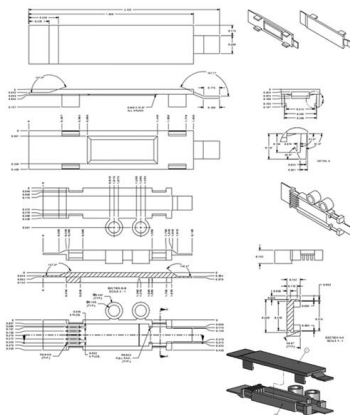
Initial Configuration, License Registration, Software Update, Base Firewalls and NAT Rules
After procuring your Palo Alto Networks firewalls, some initial configuration needs to be done prior to

[Contact Us](#)

Plan Your Device Security Deployment Using Best Practices

Consider the following best practices when preparing an Device Security deployment.

[Contact Us](#)



Plan Your Device Security Deployment Using Best Practices

Set goals for your Device Security deployment. What will it provide as part of your network security strategy?

[Contact Us](#)



Deployment scenarios

A further deployment scenario is the following: Telecommunications company or service provider network. Note: Failover can be applied to each of these Network Manager deployments. The topics

[Contact Us](#)



Contact Us

For datasheets, pricing, or custom fiber access solutions, please visit:
<https://frindel.es>