

# **National Standard Door for Distribution Box**





## National Standard Door for Distribution Box

---



### The installation requirements for the distribution box

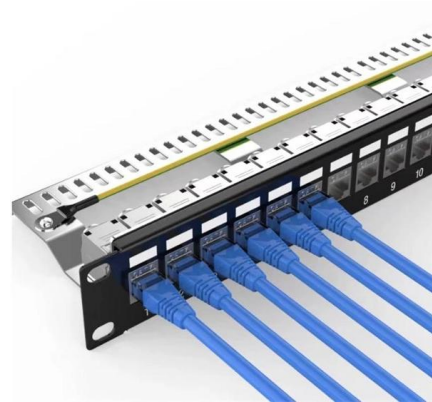
Learn how to install a distribution box safely and correctly. Covers wiring, placement, standards, and expert tips for a compliant setup.

[Contact Us](#)

### Distribution boards components

Distribution boards (generally only one in residential premises) usually include the meter (s) and in some cases (notably where the supply utilities impose a TT earthing system and/or tariff

[Contact Us](#)



### Electrical Box Size Guide: Nec Standards For Safety

Electrical box sizes are determined by the number and size of the conductors and devices they will contain. The dimensions of electrical boxes are standardized by the National Electrical Code

[Contact Us](#)



### IEC Standard for Power Distribution Board Design and

Home - Blog - Blog IEC Standard for Power Distribution Board Design and Layout By Abdul Wassay Posted on 01/06/2025 Updated on 24/01/2026

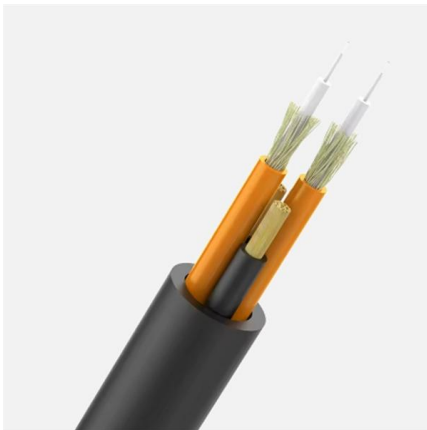
[Contact Us](#)



### Distribution Box

Metal Distribution Box Features Continuously welded seams Foam-in-place seamless gasket 120-degree opening heavy-duty industrial hinges IP66 protection rating against dust and water according

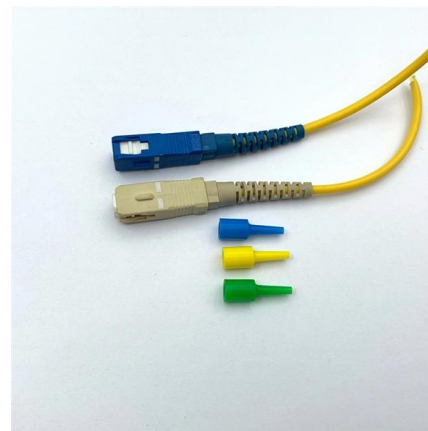
[Contact Us](#)



### 312.102 Doors or Covers.

This new code change makes it clear that doors and covers for cabinets, cutout boxes and meter socket enclosures must be provided by the manufacturer. Below

[Contact Us](#)



### Distribution Boxes Types - The Complete Guide

The power distribution boxes deliver electricity from the main electrical main to other circuits. Several distribution boxes are designed for specific use in

[Contact Us](#)





## Distribution Box Guide: Types, Components & Solutions

Understand distribution boxes (DB boxes) in 5 minutes. Learn about types, components, functions, and uses. Find the perfect DB box for your needs.

[Contact Us](#)



### Company Directive

All door locks used on the various meter cabinets shall be of a "Slam Shut" type of design, thus ensuring that the door will automatically lock when closed. All meter box keys shall be green in colour (RAL

[Contact Us](#)

### TS108 Distribution Equipment Standards , PDF

This technical standard outlines requirements for distribution equipment and transformer rooms, including: 1) Room sizes must meet minimum specifications



[Contact Us](#)



### TECHNICAL SPECIFICATION FOR LT DISTRIBUTION BOX

General Technical Particulars for LT Distribution Boxes : - The L.T. Distribution Boxes should be of the dimensions as per the drawing & details in the table furnished.

[Contact Us](#)



## TECHNICAL SPECIFICATION FOR LT DISTRIBUTION BOX

1.1 The Box shall have double door with self locking ( When the main MCCB is in close position the inner door can not be opened and after closing of the inner door only the main MCCB can be closed)

[Contact Us](#)



Distribution box Robuust 32A Robust full rubber housing, impact resistant, oil-, UV- and acid resistant. Protected with a ground fault interrupter and circuit breaker. All protections covered by transparent

[Contact Us](#)

### ES326

The preferred option for Distribution Substations shall be Aluminium doors with GRP exterior facing. However, timber doors may be used on a site-specific basis subject to approval of the Electricity

[Contact Us](#)



### Outdoor Electrical Distribution Box Specifications: NEC

Complete specification guide for outdoor electrical distribution boxes covering NEC Article 312 requirements, NEMA ratings, sizing calculations, and

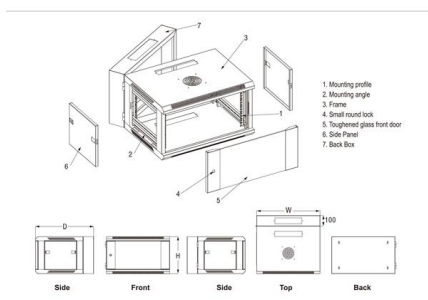
[Contact Us](#)



## What Is an Electrical Distribution Box? A Complete Guide

An electrical distribution box routes power, prevents overloads, and keeps wiring organised--essential for safe, efficient home and

[Contact Us](#)



### TECHNICAL SPECIFICATION I.R.O. 63,100,160 & 315 KVA

8.6 The Base and doors of enclosure shall be individually in one piece without any welding, except for fixing of the accessories like hinges, clamps, mounting clamps, bolts etc.

[Contact Us](#)

## Technical Specifications for Distribution Boxes and Switch Boxes

For safety purposes, all distribution box doors shall be fitted with locks. No temporary electrical equipment shall be hung or plugged in distribution boxes and switch boxes, and it is strictly forbidden

[Contact Us](#)



### Complete Guide For Distribution Boxes Types

Distribution boxes, also known as electrical distribution boards or panels, are pivotal components in electrical systems, ensuring the safe and organized distribution of

[Contact Us](#)



## Understanding Distribution Boxes: A Comprehensive Guide

A distribution box, also known as a power distribution box or electrical distribution box, is used to distribute electrical power safely to multiple

[Contact Us](#)



## Australian Distribution Boxes: Key Features and How E

Learn about the unique features of distribution boxes in Australia and how E-abel meets local standards with SAA certification, advanced

[Contact Us](#)



## Explosion proof distribution box standards and installation issues

All components and technical parameters need to comply with the national standard GB7251 design requirements, sample production needs to be notified to the construction unit, supervision,

[Contact Us](#)



## Distribution Boards (up to 15 Amperes)

**DISTRIBUTION BOARD - AN OVERVIEW**  
distribution board is the primary electrical supply system for the residential, commercial, and industrial entity. Being one of the most critical devices within the

[Contact Us](#)



## Standard Sies NEMA 3R Service Distribution Enclosure

Construction EPI NEMA 3R Service Distribution Enclosures are constructed of 14-Gauge Steel, primed with gray-oxide and enamel painted inside and out with Sherwin Williams ASA-70, Light-Dove Gray.

[Contact Us](#)



## Contact Us

---

For datasheets, pricing, or custom fiber access solutions, please visit:  
<https://frindel.es>