

Mexico ONT Optical Network Terminal PAM4





Mexico ONT Optical Network Terminal PAM4



50G PAM4 Technical White Paper

The 50GE PAM4 optical module uses the QSFP28 encapsulation mode, LC optical interfaces, and single-mode optical fibers. The transmission distance is 10/40 km, and the maximum power

[Contact Us](#)

Exploring the Essential Functions of an Optical Network

Discover the crucial role of an ONT in fiber optic networks, its functions, evolution, and diverse types. Learn about ONT integration with smart home

[Contact Us](#)



Understanding OLT, ONU, ONT and ODN: Building

25 Aug 2023 Knowledge Base Understanding OLT, ONU, ONT and ODN: Building Blocks of Fiber-Optic Broadband In an age where high-speed internet

[Contact Us](#)

Learn about the fiber-optic ONT , Ziplly Fiber

The Optical Terminal Network (ONT) is a crucial component that makes fiber-optic internet work seamlessly. Learn about the ONT's role in delivering fiber



Optical Network Terminal (ONT) Units

An optical network terminal (ONT) unit is a device that connects fiber optics cables to other wiring such as Ethernet and phone lines by converting the signal from optical to electrical and vice versa.

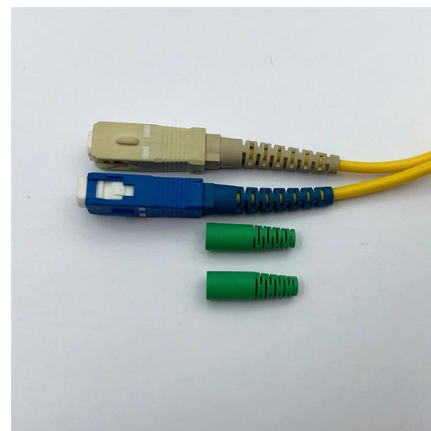
[Contact Us](#)



What is ONT (Optical Network Terminal)? Everything

As fiber-optic internet services become more common, understanding the devices that connect homes and businesses to these networks is essential.

[Contact Us](#)



Optical network terminals

Our optical network terminals (ONTs) are designed to address the market with industry-leading voice, data and video capabilities. They make it easier for

[Contact Us](#)

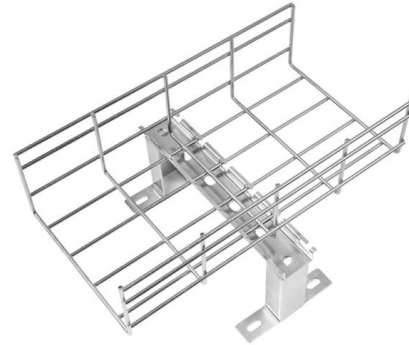


Optical network terminals



Our next generation of multigigabit XGS-PON optical network terminals (ONTs) is here and ready to support the most bandwidth-intensive subscribers on your

[Contact Us](#)



ONT (Optical Network Terminal): A Detailed Guide

ONT or Optical Network Terminal is a device that can get a fiber-optic internet connection in your home or office by communicating directly with ISP (Internet

[Contact Us](#)

Mexico PAM4 Optical Transceiver Market Size, Strategy & Tech

The analysis is structured to be adaptable to any Mexico PAM4 Optical Transceiver Market while providing actionable, region-specific insights.

[Contact Us](#)



What is Optical Network Terminals (ONT)?

Explore Optical Network Terminals (ONT), their functions, and how they support efficient, high-speed connectivity in modern fiber networks.

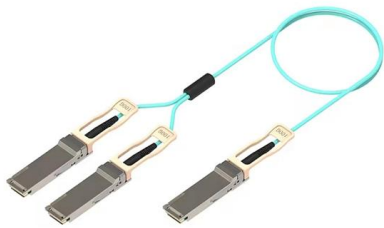
[Contact Us](#)



Optical network terminals (ONTs)

An optical network terminal (ONT) is a device used to "convert" the signals from the fiber network into a technology that end-users can use to connect their devices, like laptops, tablets, smartphones,

[Contact Us](#)



PAM4 Modulation: 5 Advantages and Disadvantages

Learn PAM4 modulation, a technique for transmitting data with four signal levels. Explore its 5 advantages and disadvantages in modern communication systems.

[Contact Us](#)

What Is ONT? Understand Optical Network Terminal in

An Optical Network Terminal (ONT) is a critical device in fiber-optic networks, enabling high-speed, stable connectivity for homes, businesses, hotels,

[Contact Us](#)



What is an Optical Network Terminal (ONT)?

Discover how an Optical Network Terminal (ONT) enables fiber-optic broadband, gigabit internet, and VoIP services by converting optical signals into Ethernet

[Contact Us](#)



What is ONT? Everything You Need to Know

ONT, short for Optical Network Terminal, is a vital component in fiber-optic communication systems. It acts as the endpoint device in a fiber-to-the-premises (FTTP) setup, translating optical

[Contact Us](#)



Understanding PAM4 Signaling: A Beginner Guide

PAM4, which plays an essential part in multi-order modulation, is widely utilized in the interconnection of high-speed signals. PAM4 doubles the data

[Contact Us](#)

What are OLT, ONU, ONT and ODN in PON?

Optical Distribution Network (ODN) is the PON physical layer that connects OLTs to ONUs or ONTs. Provides optical transmission media for

[Contact Us](#)



What is PAM4 Modulation and How is it Transforming

In this blog, we take a higher-level look at PAM4, the modulation scheme that makes short distance 400G networking possible, and discuss how this technology will

[Contact Us](#)



What is an optical network terminal (ONT)?

What is an optical network terminal (ONT)? An optical network terminal (ONT) is a device that serves as the endpoint of an optical network,

[Contact Us](#)



Understanding ONTs: How They Work and Their Benefits

Learn about Optical Network Terminals (ONT), their role in fiber optic networks, and the benefits they offer for high-speed internet, voice, and TV services.

[Contact Us](#)

PAM4: Pulse Amplitude Modulation Explained , Keysight

Learn how to measure PAM4 signals for high-speed digital networking applications.

[Contact Us](#)



What Is An Optical Network Terminal?

When you've decided on new fast fiber internet service, you'll hear a lot about getting an Optical Network Terminal (ONT) device. You absolutely need

[Contact Us](#)



