

Mauritius Yin-Yang Type Optical Attenuator Models



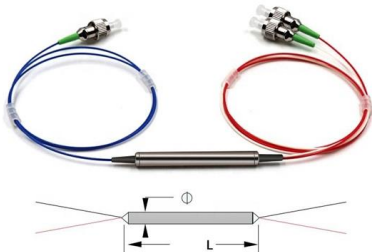


Overview

Our YIN-YANG attenuators are available in various types, including SC, LC, FC, ST, and MU, ensuring compatibility with a wide range of systems and applications. High Interchangeability and Repeatability: Ensuring consistent performance in device testing and connections. MU Single Mode Yin And Yang Type Fixed Optical Attenuator Yin And Yang Type Fiber Optic Fixed Attenuator is one end of the connector type and the other end of the adapter type, and the attenuation value is adjustable. The new 2025 sc type attenuator offers a wide range of 1db to 25db options, making it suitable for various applications including optical communication and fiber optic networks. Features a male-female plug-and-play design for easy installation, making it ideal for network engineering, data centers.



Mauritius Yin-Yang Type Optical Attenuator Models



Exploring Optical Attenuator Types and Applications: A

optical attenuators are indispensable components in fiber optic communication systems, offering precise control over signal power levels and

[Contact Us](#)

LC PC Single Mode Yin And Yang Type Fiber Optic

Yin And Yang Type Fiber Optic Fixed Attenuator is one end of the connector type and the other end of the adapter type, and the attenuation value is an

[Contact Us](#)



The Ultimate Guide to Optical Attenuators

Dive into the world of Optical Attenuators, exploring their principles, types, and applications in various fields, including telecommunications and laser technology.

[Contact Us](#)



Fiber Optic Attenuators: Wiki, Types, When and How to Use

Learn what fiber optic attenuator is, how it reduces the power level of an optical signal, different types of optical attenuators, and when and how to use them.



10pcs LC SM 5dB Yin-Yang Fiber Optic Attenuator

10pcs LC SM 5dB Yin-Yang Type Fiber Optic Attenuator Without Ears The Yin-Yang Type Fiber Optic Fixed Attenuator is a type of connector that has one end as an

[Contact Us](#)



Fiber Optics Attenuators

Fiber Optics Attenuators - The Ultime Guide on How they work? An optical attenuator is a passive device used to reduce the power level of an optical

[Contact Us](#)



Compactly integrated polarization insensitive 24-channel variable

A 24-channel polarization-insensitive variable optical attenuator array is designed and fabricated for ROADM systems.

[Contact Us](#)



Yin and Yang Type Fixed Attenuator Archives



Yin and Yang Type Fixed Attenuator Showing all 8 results Filters Yin and Yang Type Fixed Attenuator 0~30dB FC/PC Yin-Yang Type Fixed Optical Attenuator 10pcs/Set \$ 60.00

[Contact Us](#)



0-30dB FC PC Yin and Yang Type Fixed Optical

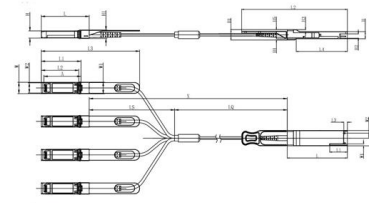
Yin And Yang Type Fiber Optic Fixed Attenuator is one end of the connector type and the other end of the adapter type, and the attenuation value is an

[Contact Us](#)

What kinds of attenuators are there?

This FAQ considers basic types of electronic attenuators. Other FAQs in this series consider optical attenuators and loopbacks, the specialized cryo

[Contact Us](#)



Unit mm

OSFP28	L	L1	L2	L3	L4	W	W1	W2	H	H1	H2	H3	H4	H5	H6
Max	72.2	-	328	4.35	61.4	18.45	-	6.2	8.6	12.4	5.35	2.5	1.6	2.0	-
Type	72.0	-	4.25	61.2	18.35	-	8.5	12.2	5.2	2.3	1.5	1.8	6.55	-	-
Min	68.8	16.5	324	4.05	61.0	18.25	2.2	5.8	8.4	12.0	5.05	2.1	1.3	1.6	-

SFP28	L	L1	L2	L3	W	W1	W2	H	H1	A
Max	57.6	47.7	44.55	119.9	13.8	14.0	12.3	8.7	10.3	45.25
Type	57.4	47.5	44.35	117.9	13.55	13.8	12.1	8.5	10.1	45
Min	57.2	47.3	44.15	115.9	13.3	13.6	11.9	8.4	9.9	44.65



SC PC Yin and Yang Plastic Optical Attenuator Accurate Attenuation

Yin And Yang Type Fiber Optic Fixed Attenuator is one end of the connector type and the other end of the adapter type, and the attenuation value is an adjustable. This range of fixed attenuator is mainly

[Contact Us](#)



Three-Dimensional Polymer Variable Optical Attenuator Based on

Low-power-consumption optical devices are crucial for large-scale photonic integrated circuits (PICs). In this paper, a three-dimensional (3D) polymer variable optical attenuator (VOA) is

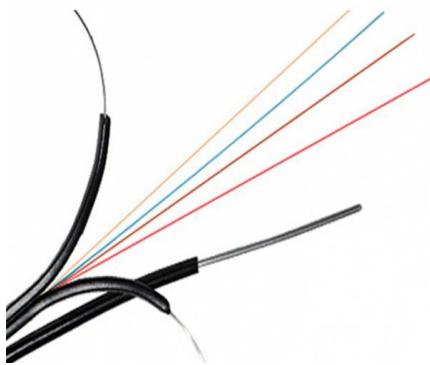
[Contact Us](#)



USON 2pc LC/UPC Binaural Yin and Yang Attenuators SM Fixed

Jumping attenuator used in radar anti-interference: It is a variable attenuator with a sudden change in attenuation. It does not introduce attenuation normally, but suddenly increases attenuation when

[Contact Us](#)



Variable Optical Attenuator: Feel the Power

In order to increase the flexibility of our IQS-3150 Variable Optical Attenuator, we have developed an option that integrates both a coupler and a power meter into the one-slot attenuator module. This

[Contact Us](#)



5dB LC PC Single-Mode Yin-Yang Type Optic

5dB LC PC Single-Mode Yin-Yang Type Optical Attenuator 10pcs/set The Yin-Yang Type Fiber Optic Fixed Attenuator is a type of connector that has one end as an

[Contact Us](#)





Fiber Optic Attenuator 10-Pack LC/UPC S

Networking professionals and fiber optic technicians, this 10-pack of LC/UPC attenuators is perfect for managing signal power in your fiber networks. These are fixed 20dB attenuators in the yin-yang

[Contact Us](#)



Sc yin and yang attenuator 1db 2db 5db 10db 15db 20db 25db, optical

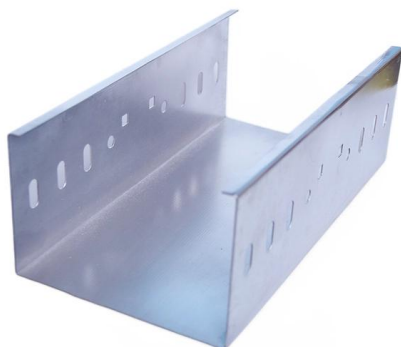
The new 2025 sc type attenuator offers a wide range of 1db to 25db options, making it suitable for various applications including optical communication and fiber optic networks. Features a male-female

[Contact Us](#)

1-20dB SC PC Yin and Yang Type optical attenuator

Yin And Yang Type Fiber Optic Fixed Attenuator is one end of the connector type and the other end of the adapter type, and the attenuation value is an

[Contact Us](#)



MU Yin-Yang Fixed Optical Attenuator 10pcs SM Fiber Attenuator

MU Yin-Yang Fixed Optical Attenuator 10pcs SM Fiber Attenuator Fixed value fiber optic attenuators can reduce the optical light power at a fixed level, for example, a 5dB SC fiber optic attenuator can

[Contact Us](#)



Optical attenuator

An optical attenuator, or fiber optic attenuator, is a device used to reduce the power level of an optical signal, either in free space or in an optical fiber. The basic types of optical attenuators are fixed, step

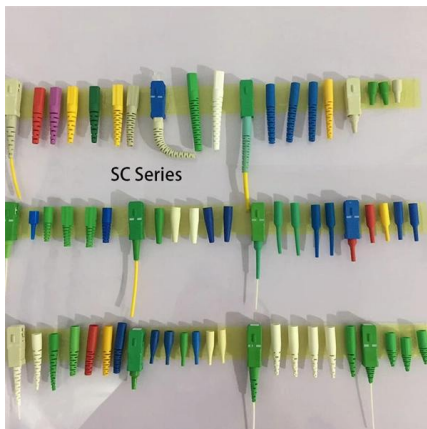
[Contact Us](#)



MU Single Mode Yin And Yang Type Fixed Optical

It comes in different types including SC, LC, FC, ST and MU. Based on the shape of ferrule shape, the fixed optical attenuator can also be classified as PC and APC

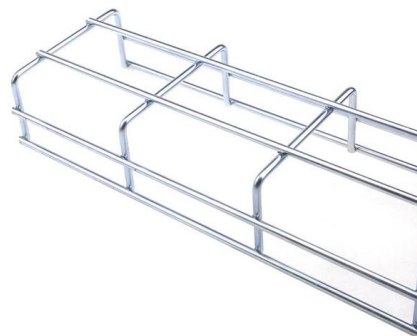
[Contact Us](#)



SC APC Good interchangeability and repeatability Yin

Yin And Yang Type Fiber Optic Fixed Attenuator is one end of the connector type and the other end of the adapter type, and the attenuation value is an

[Contact Us](#)



LC UPC Fiber Optical Attenuator (LC_UPC Yin Yang 1dB)

The fixed fiber optic attenuator can achieve the dual function of adapter and attenuators.

[Contact Us](#)





USON 2pc LC/UPC Binaural Yin and Yang Attenuators SM Fixed

Amazon : USON 2pc LC/UPC Binaural Yin and Yang Attenuators SM Fixed Fiber Attenuator, Female to Male, 3dB : Electronics Help others learn more about this product by uploading a video!

[Contact Us](#)



Bojan Fiber Optic Attenuator BY-SJ315A1 FC/APC Yin and Yang

This 15dB fiber optic attenuator by Bojan is engineered for optimal optical power reduction without compromising signal integrity. The FC/APC yin and yang connectors provide easy identification and

[Contact Us](#)



MU Yin-Yang Fixed Optical Attenuator 10pcs SM Fiber Attenuator

The Yin-Yang Type Fiber Optic Fixed Attenuator is a type of connector that has one end as an adapter and the other end as a connector. The attenuation value is adjustable.

[Contact Us](#)



Variable Optical Attenuator

Variable Optical Attenuator of Kohoku Kogyo are published on this page. This product has a function that allows adjustment of optical power levels.

[Contact Us](#)



Contact Us

For datasheets, pricing, or custom fiber access solutions, please visit:
<https://frindel.es>