

Mali House Construction Electrical Distribution Box





Mali House Construction Electrical Distribution Box



ENERGYBOX Assemblies for Construction Sites (ACS)

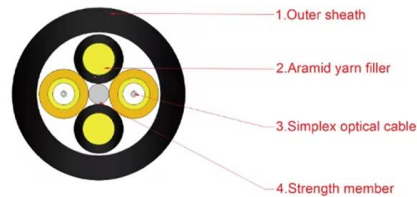
The panels are made in a sturdy and handy two-component technopolymer cabinet with a fire-resistant backrest, which allows them to be stored and reused in the

[Contact Us](#)

ONGOING CONTRACT , Mohan

Ministry of Energy & Water in Mali awarded MEC a distribution line project involving design, supply, installation & commissioning of 456 Km of MV and 200 Km of LV lines. , Funded By - European

[Contact Us](#)



Understanding Distribution Boxes:A Comprehensive Guide

Understanding its significance, this article covers what a distribution box is, how it functions, its structure, the various types available, and how it

[Contact Us](#)

The installation requirements for the distribution box

Control and supervision of works and supplies for the electrification of 80 localities crossed by the 225 kV interconnection line in four separate lots. Lot 4-Electrification de 20 villages de la



Size determination, installation method and wiring mode

The distribution box is the central hub of the home circuit and the general control of our daily power consumption. It is an indispensable electrical equipment. If there

[Contact Us](#)

DB BOX(Electrical Distribution Box): Everything You

Learn everything you need to know about the Electrical Distribution Box (DB Box). Explore types, materials, installation tips, etc.

[Contact Us](#)



Structured Wiring for New Construction Homes

These panel systems and plugin modules, similar in nature to electrical panels found in virtually all homes, allow for the organized distribution of low voltage signal

[Contact Us](#)





Distribution Box: Types and Functions , Axis-Electricals

A distribution box ensures that electrical supply is distributed in the building, also known as a distribution board, panel board, breaker panel, or electric panel.

[Contact Us](#)



Distribution boards components

Distribution boards (generally only one in residential premises) usually include the meter (s) and in some cases (notably where the supply utilities impose a TT earthing system and/or tariff

[Contact Us](#)



What is an Electrical Distribution Box? A

What is an Electrical Distribution Box? At its core, an electrical distribution box (or distribution board) is a metal or plastic enclosure that houses

[Contact Us](#)



Mali

Overview The construction sector is expanding in Mali thanks to strong population growth, which has increased demand for housing and urban infrastructure. Local companies such as

[Contact Us](#)



The Complete Guide to Distribution Box: Installation, Types & More

A distribution box, also known as a distribution board, electrical panel, or breaker box, is an enclosure that houses electrical components responsible for distributing electricity throughout a

[Contact Us](#)



The Importance of Distribution Boxes in Electrical Systems

Learn more about how distribution boxes play a critical role in the safe and efficient operation of electrical systems.

[Contact Us](#)

Understanding Distribution Boxes: A Comprehensive Guide

A distribution box, also known as a power distribution box or electrical distribution box, is used to distribute electrical power safely to multiple

[Contact Us](#)



The Essential Guide to Understanding Electrical

Learn about the components and layout of an electrical distribution system diagram, including transformers, circuit breakers, and distribution panels.

[Contact Us](#)



Control and supervision of the construction works of the

The Government of the Republic of Mali has received financing from the African Development Bank to cover the cost of the 225 kV Guinea-Mali

[Contact Us](#)



Electrical installation in Bamako, Bamako

Electrical installation in Bamako, Bamako Open Now: 10:48 AM Electrical installation

[Contact Us](#)



- IP65/IP55 OUTDOOR CABINET
- WATERPROOF OUTDOOR CABINET
- 42U/27U
- OUTDOOR BATTERY CABINET

Prefabricated electrical buildings , Electrical skids , E

A prefabricated electrical assembly is a fully customizable and factory-integrated solution for electrical control and power distribution. Prefabricated assemblies

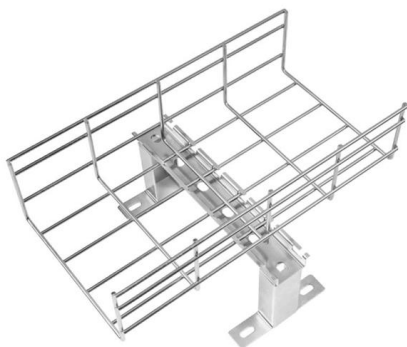
[Contact Us](#)



SPECIFICATIONS

The concession holder agrees to supply customers with an electric current which meets the quality standards set forth in the customer regulations, a copy of which shall be provided to the customer

[Contact Us](#)





Electrical Engineering Services in Mali , Silicon Engineering Consultants

Having experience for over 12+ years we provide a wide range of electrical engineering services in Mali at a very affordable rate. The ultimate aim of our company is to provide solution based services that

[Contact Us](#)



Safety requirements of distribution box

Then, what are the safety requirements for the distribution box! Safety requirements of distribution box: 1. The power distribution and lighting distribution of

[Contact Us](#)

Products - tagged "Distribution Boxes" - Electrical.mu

Browse, compare and buy online on electrical.mu in Mauritius and worldwide for all your electrical, plumbing, tooling and security needs.

[Contact Us](#)



Electrical Distribution Solutions for Prefab Houses

Explore the latest trends in prefab construction, compare regional electrical standards and distribution box requirements, and learn practical tips for

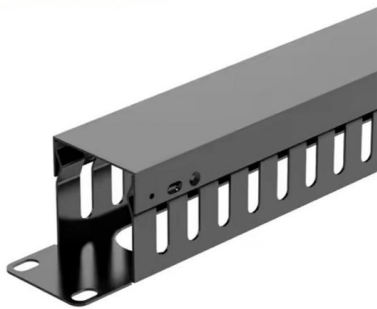
[Contact Us](#)



The Ultimate Guide to Distribution Box Types

Discover the key types of distribution boxes with NUOMAK's comprehensive guide. Learn about Main Distribution Boards (MDB), Consumer Units, Transfer

[Contact Us](#)



Custom Electrical Distribution Boxes for Prefab Homes

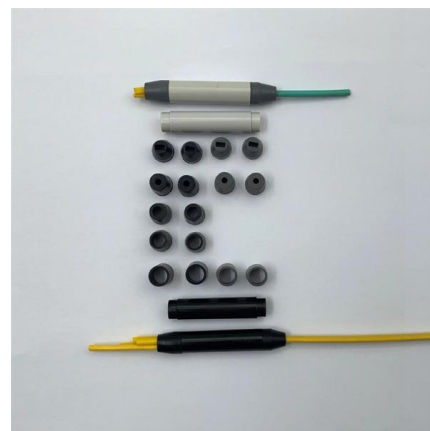
This project demonstrates that custom electrical distribution boxes are essential for prefab construction, not optional upgrades. By replacing generic

[Contact Us](#)

Electrical Distribution Panel Guide: Types, Sizing & 600

From residential 100-amp panels to massive 600 amp main distribution panels in commercial facilities, this comprehensive guide will help you

[Contact Us](#)



Electric Panel Installation Method Statement

METHOD STATEMENT FOR Electric panel and distribution box installation and termination - Free download as PDF File (.pdf), Text File (.txt) or

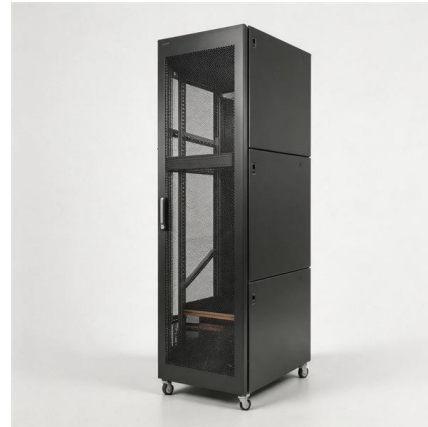
[Contact Us](#)

Mali Electricity Transmission Network



Data for medium and high voltage transmission lines in Mali. The data were compiled for the AICD study led by the World Bank. A variety of sources were consulted, including regional power

[Contact Us](#)



Power Distribution Boxes Explained Simply

Learn what a power distribution box is, how it works, key components, types, and why it's vital for safe and efficient electrical systems.

[Contact Us](#)



Contact Us

For datasheets, pricing, or custom fiber access solutions, please visit:
<https://frindel.es>