

Malaysia Three-Year Warranty Low-Power Optical Module QSFP





Malaysia Three-Year Warranty Low-Power Optical Module QSFP



Hi-Optel 400G Optical Transceivers (400G-QSFP-DD FR4 1310nm 2km)

ALTAAS Topologies Sdn Bhd - Hi-Optel 400G Optical Transceivers (400G-QSFP-DD FR4 1310nm 2km) 400G Optical Transceivers Optical Transceivers Selangor, Malaysia, Kuala Lumpur (KL), Petaling

[Contact Us](#)

QSFP-100G-FR 100GBASE-FR QSFP28 Optical

Providing industry-leading limited lifetime warranty. Exchanges caused by the

[Contact Us](#)



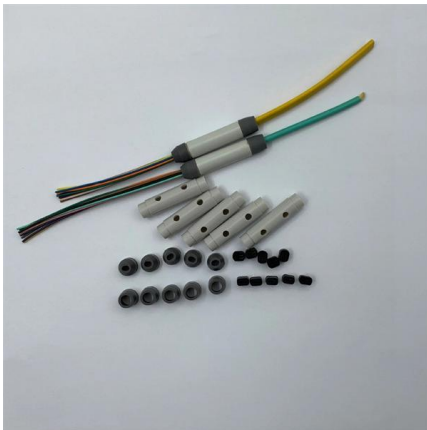
QSFP-100G-CWDM4-DM HUAWEI Fibre & SFP Module Selangor,

Upgrade your networking infrastructure with the QSFP-100G-CWDM4-DM optical transceiver for superior 100G data transmission, offering efficient, high-speed, and secure connectivity for long

[Contact Us](#)

Optical Transceiver Buying Guide: SFP/QSFP Explained for

Whether for data centers, enterprise networks, or service providers, choosing the right optical transceiver is critical for ensuring seamless, high-speed data transmission over fiber optic



QSFP+ MSA: The Quad Small Form-factor Pluggable

1. Introduction The QSFP+ MSA (Quad Small Form-factor Pluggable Plus Multi-Source Agreement) is a widely accepted industry specification for

[Contact Us](#)

100G QSFP28 FR1/LR1 Optical Transceiver

100 Gb/s FR1/LR1 QSFP28 Optical Transceiver is a small form-factor, high speed, and low power consumption product targeted for use in optical interconnects for data communications applications.

[Contact Us](#)



Malaysia QSFP Optical Module Market CAGR 2026-2033

Growing 5G Network Rollouts: The accelerated deployment of 5G networks across Malaysia necessitates advanced optical modules like QSFPs to support increased bandwidth and low latency

[Contact Us](#)

QSFPTEK Online Store for Optical



Transceivers

The official store for QSPTEK. We provide compatible optical modules with online shopping function.

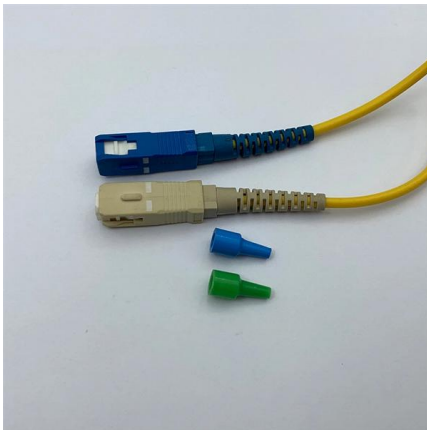
[Contact Us](#)



Cisco QSFP-100G-LR4-S 100GBASE-LR4 QSFP28

QSFP Cisco Compatible QSFP-100G-LR4-S 100GBASE-LR4 QSFP28 optical transceiver provides 100Gbe links up to 10km over OS2 (SMF) at 1310nm using

[Contact Us](#)



6 Common 40G QSFP+ Optical Module Models

6, 40G ER4 QSFP + optical module: the center wavelength of 1271nm, 1291nm, 1311nm, 1331nm, duplex LC interface, single mode, support for DDM, the operating temperature of 0 ° C ~ 70

[Contact Us](#)



40G QSFP: The Core of Optical Network Interconnection

A: Fiber cables in association with a QSFP-DD module facilitate the transmission of optical signals within a network over long distances. Moreover,

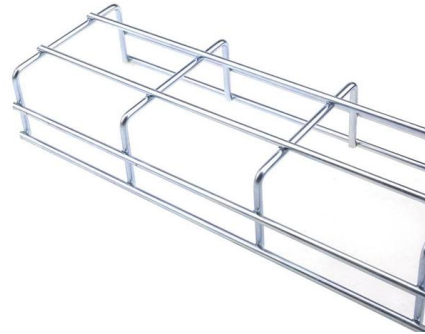
[Contact Us](#)



Hi-Optel 40G Optical Transceivers (40GBASE-PLR4 QSFP+ 1310nm)

QSFP PSM LR4 are a high performance, low power consumption, long reach interconnect solution supporting 40G Ethernet, fiber channel and PCIe. It is compliant with the QSFP MSA and IEEE

[Contact Us](#)



QSFP-DD Optical Transceivers for High-Speed Connections

QSFP-DD ports incorporate a riding heatsink that can be sized independently of the optical module, added on top of the module, or placed between modules. This flexibility enables switch and routing

[Contact Us](#)

SFP Transceiver, 100G QSFP28, 100G CFP, 10G

QSFP+ Transceiver 10G DWDM XFP 40km Optical Transceiver Module QSFP+ Optical Transceiver products "Mellanox ConnectX-3 Pro EN 40/56GbE Dual-port



[Contact Us](#)



What Is QSFP+ Module: QSFP+ Transceiver Wiki and

What is QSFP+? How many types of 40G QSFP transceiver do you know? And what's the difference between QSFP and CFP. Get all the answers here.

[Contact Us](#)



QSFP-DD Hardware

August 7, 2020 Abstract: This specification defines: the electrical and optical connectors, electrical signals and power supplies, mechanical and thermal requirements of the pluggable QSFP Double

[Contact Us](#)



QSFP-DD Optical Module Overview: What is the differ?

This article will introduce the next generation optical module in detail, QSFP-DD, also known as quad small factor pluggable, and this article will also

[Contact Us](#)

Overview of QSFP28 LR4 Optical Transceiver

FS's QSFP28 LR4 module, with its exceptional performance, low power consumption, and seamless compatibility, offers a reliable and scalable

[Contact Us](#)



Cisco 100GBASE QSFP-100G Modules Data Sheet

Product overview The Cisco 100GBASE Quad Small Form-Factor Pluggable (QSFP) portfolio offers customers a wide variety of high-density and low-power 100 Gigabit Ethernet connectivity options for

[Contact Us](#)



QSFP-100G-CWDM4-DM Selangor, Malaysia, Kuala Lumpur (KL),

Upgrade your networking infrastructure with the QSFP-100G-CWDM4-DM optical transceiver for superior 100G data transmission, offering efficient, high-speed, and secure connectivity for long

[Contact Us](#)



Hi-Optel 400G Optical Transceivers (400G-QSFP-DD DR4 1310nm

ALTAAS Topologies Sdn Bhd - Hi-Optel 400G Optical Transceivers (400G-QSFP-DD DR4 1310nm 0.5km) 400G Optical Transceivers Optical Transceivers Selangor, Malaysia, Kuala Lumpur (KL),

[Contact Us](#)



40G QSFP Modules-Optical Transceivers

This module offers a high-density, low-power 40GBASE Ethernet solution suitable for data centers, high-performance computing networks, and enterprise core and distribution layer applications. It adheres

[Contact Us](#)



Cisco QSFP-100G -ZR4-S 1.25G SFP LX 1310nm 10km LC dual fiber

Key attributes Type Fiber Optic Transceivers Power Source AC 100-240V Use Business Network Network Switch Model Number QSFP-40G-SR4 Brand Name Cisco Place of Origin Malaysia

[Contact Us](#)



40G QSFP+ Transceiver Modules , Optical



Transceivers

FS 40G QSFP+ optical transceiver module solutions offer a full range of QSFP+ modules from 150m to 80km reach, and used for high-density switching, routing

[Contact Us](#)



Fiber SFP Transceiver Module Malaysia

BROADBASE is an ICT networking equipment provider specializing in LAN connectivity solutions for enterprises. It provide best Fiber SFP Transceiver

[Contact Us](#)

Wholesale Optical Transceivers Module , 100G

Shop high-speed optical transceivers from Unitekfiber. We offer 100% compatible 40G, 100G, and 400G QSFP-DD modules for data centers. Expert technical

[Contact Us](#)



Contact Us

For datasheets, pricing, or custom fiber access solutions, please visit:
<https://frindel.es>