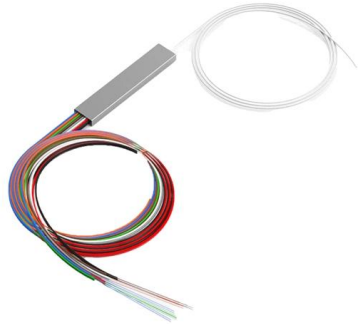


Making Cable Connectors for Cable Trays





Making Cable Connectors for Cable Trays



Creating a Route for Connectors Through a Cable Tray , MySolidWorks

To create routes for connectors through a cable tray: To start a route, insert the following into the main assembly by clicking Insert

[Contact Us](#)

How to Produce Wire Mesh Cable Trays and Complex

Learn how to produce wire mesh cable trays and complex connectors with this detailed guide. Explore the key steps to create durable and reliable cable

[Contact Us](#)



Master Cable Tray Installation: A Professional Step-by

Learn how to install cable trays for large-scale projects with our professional, step-by-step guide covering industry standards, safety protocols,

[Contact Us](#)

Cable Tray Technical Guide A practical guide to product selection and

Cable Tray Technical Guide A practical guide to product selection and installation This guide for engineers and installers has been developed by ABB as a practical reference regarding cable tray



Connecting Cable Trays: Your Guide to Secure and

Learn common methods for connecting cable trays safely and efficiently. Our guide covers splice plates, quick-connects, and key tips for secure

[Contact Us](#)

Cable Trays and Fittings

Cable trays consist of rigid components like supports, connectors, and fittings made of either certain steel alloys or aluminum materials. The right cable trays and

[Contact Us](#)



Kable Kontrol Raidian Connector

Kable Kontrol Raidian Connector - Splice Connection Hardware - Wire Mesh Tray Cable Management Rack Cable Basket, Zinc Plated Steel NEC Approved for

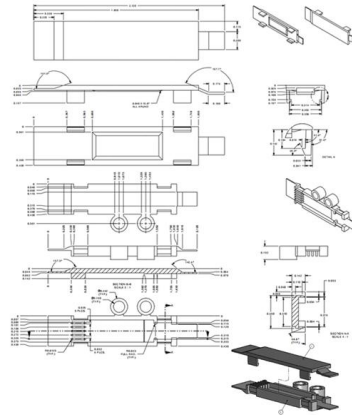
[Contact Us](#)



GUIDE CABLE TRAYS TECHNICAL

The cable management system's electromagnetic performance characterises its ability to protect its cables from external electromagnetic disturbance; if this is controlled, the data carried by the cables

[Contact Us](#)



Instrumentation Cable Tray Installation Checklist and

Step-by-step instrumentation cable tray installation guide with safety tips, standards, inspections, and downloadable Excel checklist.

[Contact Us](#)

Cable Tray Trunking & Ladder Installation Method for

The purpose of this article is to define the sequence and methodology for the installation of electrical cable trays, cable trunking, cable raceways and boxes,

[Contact Us](#)



Cable Tray Installation Man Hours

Below are the list for cable tray installation man hour which include cable tray, cable tray cover; cable tray fittings such as 90 degree horizontal

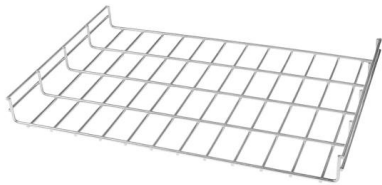
[Contact Us](#)



Cable Tray Trunking & Ladder Installation Method for

Resources For Electrical & Electronic Engineers
Cable Tray Trunking & Ladder Installation Method for Projects The purpose of this article is to define the

[Contact Us](#)



Cable Tray Technical Guide A practical guide to product selection and

The choice of method should be discussed with a local inspector. The best decision may be to extend only the cables, creating a discontinuity in the cable tray.

[Contact Us](#)

CABLE TRAYS CONNECTION INSTRUCTIONS

Introduction The purpose of this document is to describe the correct process to install the connectors in our cable trays.

[Contact Us](#)



Tray Cable Connectors , WireAndCableYourWay

Tray Cable Connectors Typically, in a commercial or industrial environment, tray cable connectors are used to assist the power distribution, control, and power of the electrical conduit system. These are

[Contact Us](#)

How to Install Cable Tray: A Comprehensive



Guide to Different Cable

Welcome to our step-by-step guide on installing cable trays! In this video, we'll explore the different types of cable trays available and provide detailed instructions for their installation.

[Contact Us](#)



Cable Tray Connectors , McMaster-Carr

Choose from our selection of cable tray connectors, including cable and hose trays, steel formable cable and hose trays, and more. Same and Next Day Delivery.

[Contact Us](#)

Mesh cable tray systems

Mesh cable tray systems Mounting instructions © 2020 OBO Bettermann Holding GmbH & Co. KG Reprinting, even of extracts, as well as photographic or electronic reproduction are prohibited! Table

[Contact Us](#)



Connecting Wire Mesh Baskets & Cable Trays , CMW

Learn how to connect multiple sections of wire mesh baskets or cable trays efficiently. Tips, tools, and techniques from cable management experts at CMW.

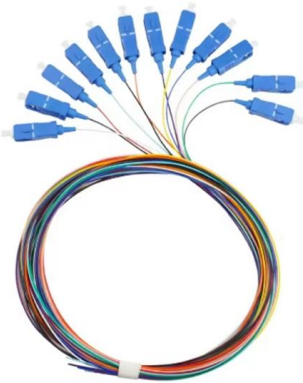
[Contact Us](#)



Tutorial: Building a Custom Cable Tray

Unlock the secrets to building a custom cable tray that enhances organization and style--discover essential tips and creative ideas to elevate your

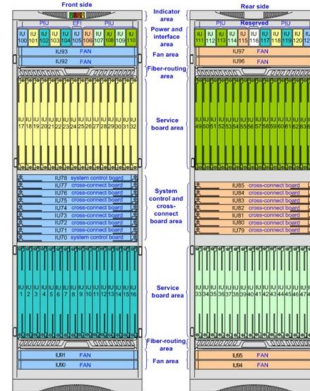
[Contact Us](#)



CABLE TRAY SYSTEMS GUIDE

Rungs and Bottoms: Rung and Bottom designs are identical to similar straight cable tray sections. Tangents: All fittings have 3" tangents (flats) at the end of all curved side rails to accommodate splice

[Contact Us](#)



Cable Tray Installation

Learn everything about cable tray installation with our complete guide. Discover types, steps, and safety tips for efficient electrical cable management.

[Contact Us](#)



Cable Tray System Explained Animated Installation Guide , FK

This animated video demonstrates how cable tray systems are installed in industrial and commercial projects. Watch the step-by-step process of cable routing, support fixing, and tray alignment.

[Contact Us](#)



ITER Cabling Handbook

This document deals with cables trays, cables and connector installation and segregation, cable trays earthing and E.M.C. directives. These rules shall be applied in the cabling engineering workflow for

[Contact Us](#)



Search

Search Up to 36% lower carbon footprint than standard plastic cable ties Globally, only 9% of plastic waste is recycled, and by 2050, up to 12 billion tons could pollute our landfills, waterways, and

[Contact Us](#)

Contact Us

For datasheets, pricing, or custom fiber access solutions, please visit:
<https://frindel.es>