

# **MTP Connector Anti-Calming**





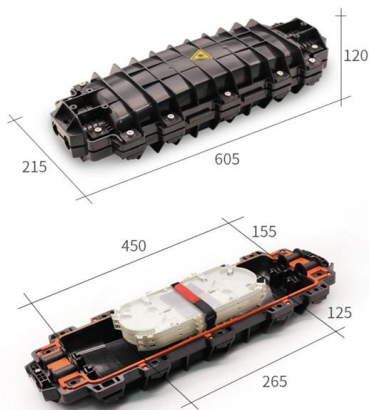
## MTP Connector Anti-Calming



### MTP Pro Connector

The MTP PRO connector with push-pull boot offers simplified and robust field configurability, ease of use, and enhanced performance combined with the MTP connector you know and trust.

[Contact Us](#)



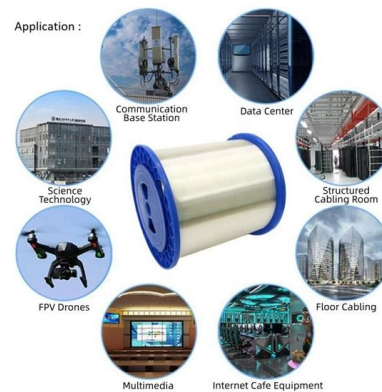
### MTP Connectors , MPO Connector Advantages , Corning

These new MTP connectors make it easy to change gender and polarity in the field, without requiring a specialized skill set or a connector engineer. Along with

### How to Deploy MTP/MPO Cables and Connections?

MTP/MPO fiber optic cable assembly appears to be the best option to improve the speed, agility, and performance of the system. Considering the time

[Contact Us](#)



### MPO, MTP Connectors & MT Ferrules Explained

MPO/MTP® connectors with MT ferrules enable high-speed, high-density fiber networks. Learn about their features, standards, and cable assembly

[Contact Us](#)



### **MTP Fiber Connector Guide , Multi-fiber Connectors Explained**

Helpful customer guide on the MTP Fiber Connector, MTP Polarity and all the information you need to know to enhance your fiber optic network!

[Contact Us](#)



### **J599-MPO/MTP Connector**

MPO/MTP optical fiber connector, joints with three thread fast connection, and adapt with

[Contact Us](#)



### **Anti-Spam Connection Filtering when installed on Hub**

Recently I came across a situation where it was reported that Connection Filtering stopped working (IPs on the Blocklist and RBLs were no longer being

[Contact Us](#)



### MTP® Connector Evolution , Corning

The form factor of the MTP® connector - well optimized for traditional structured cabling - is not ideal for highly-dense packaging and organization to achieve a

[Contact Us](#)



### The Ultimate Guide: MTP® vs MPO Connectors

Discover the key disparities between MTP® and MPO connectors in Fiber Optic Cables with Fibermall's expert guide.

[Contact Us](#)

### MTP VS MPO FIBER CONNECTORS

This innovative, robust, easy assemble and maintenance 1RU fiber enclosure has been designed for a MTP/MPO LC interface. This excellent space saving solution is ideal for network consolidation as its

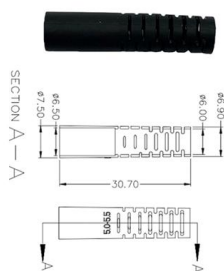
[Contact Us](#)



### MPO Best Practices

Ferrule rruled connectors. Since multiple fibers are housed in a single ferrule, maintaining the cleanliness of the connector can a erred to as MTP®. The answer lies in the fact that MTP® is an

[Contact Us](#)





## MTP®/MPO Cables Explained: Types, Applications, and

MTP®/MPO cables, with multi-fiber connectors, are now the preferred solution. However, what is MTP®/MPO cable, and how to set apart the right

[Contact Us](#)



## Interpretation of Terminology & Differences - MPO and MTP®

The MTP® connector is a high performance MPO connector with multiple engineered product enhancements to improve optical and mechanical performance when compared to generic MPO

[Contact Us](#)

## What is MTP Connector? , Definition & Guide , RF Essentials

MTP Connector is a technical concept in RF and microwave engineering related to fiber & cable systems. It refers to a specific parameter, component, or methodology used in the design, analysis,



[Contact Us](#)



## MTP® PRO Connector , Corning

The MTP PRO offers true push-pull functionality without compromising the connector footprint. Additionally, its enhanced latching and alignment features reduce debris

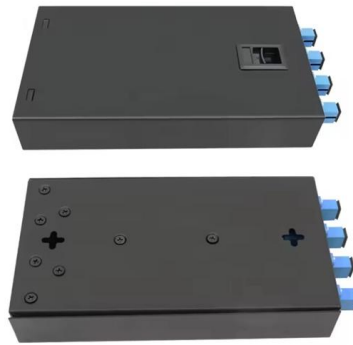
[Contact Us](#)



## Why AI Data Centers Need Multimode MTP®/MPO APC

T& S's Multimode MTP®/MPO APC Solutions for AI Data Centers To meet the needs of AI-driven infrastructures, T& S offers high-performance APC

[Contact Us](#)



## MTP/MPO Fiber Cable Polarity /How to Understand It

Struggling with MTP/MPO polarity? Discover the right way to understand and configure fiber cables for error-free, high-speed data center

[Contact Us](#)

## MTP®/MPO Connector Cleaning and Inspection Recommendation

Discover comprehensive guidelines for cleaning and inspecting MTP®/MPO connectors to ensure optimal performance in fiber optic networks.

[Contact Us](#)



## MTP VS MPO FIBER CONNECTORS

MPO and MTP terminated cables are widely used in high density cabling environments like data centers. Traditional, tight-buffered multi-fiber cable needs to have each fiber individually terminated by a

[Contact Us](#)



## What Makes MTP Fiber Connectors a Key Component

Discover the role of MTP Fiber Connectors in high-density cabling. Learn about its defining features, applications, and why it's crucial for efficient

[Contact Us](#)



## How to Choose MPO/MTP Fiber Connector: A Complete

Learn how to choose MPO vs MTP fiber connectors for your data center. Compare key differences, understand selection criteria, and explore

[Contact Us](#)

## Why Multimode MTP®/MPO APC Connectors Are Critical for AI Data

Discover how multimode MTP®/MPO APC connectors solve the PAM4 reflection challenges in AI data centers, enabling error-free 100G-800G transmission. And check out FS's

[Contact Us](#)



## MTP / MPO Solutions

Keys and Dots cable's polarity. MPO and MTP connectors also have a white dot or square on one side of the connector to deno dding the body kit. Fibertronics is able to take completed MPO cables and

[Contact Us](#)



## MTP-MPO Solutions Catalogue

MTP-LC fanout pigtail cables are terminated with one MTP/ PC fibre optic connector and 12 or 24 LC/UPC fibre optic connectors, for quick fibre optic network installations.

[Contact Us](#)



## FS Community

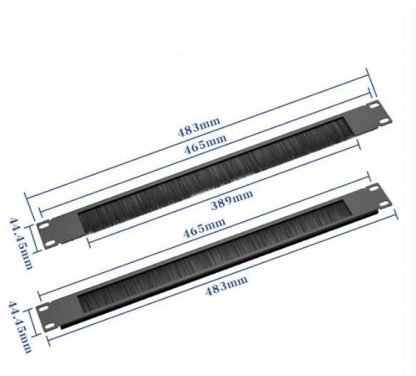
Hier sollte eine Beschreibung angezeigt werden, diese Seite lässt dies jedoch nicht zu.

[Contact Us](#)

## Technical Data Sheet

- MTP®PRO multi-fiber connector for 12 fibers MT Ferrules - Feature on-field pin exchange (with pins and without pin options) - Polarity change on-field - Push pull boot for high density applications and

[Contact Us](#)



## MPO Best Practices

an MPO connector. Both MTP® and MPO fiber optic connectors comply with the international Fiber Optic Connector Intermateability Standards "IEC-61754-5" and the North American "TIA-604-5"

[Contact Us](#)



## What is the difference between MPO and MTP? , FSG

MTP (Multi-fiber Termination Push-on) is a high-performance version of the MPO connector, produced by US Conec. MTP connectors are registered trademarks

[Contact Us](#)



## Contact Us

---

For datasheets, pricing, or custom fiber access solutions, please visit:  
<https://frindel.es>