

Luxembourg bulk purchase of fiber optic enterprise routers QSFP28





Luxembourg bulk purchase of fiber optic enterprise routers QSFP28



Cisco Compatible Transceivers , SFP, SFP+, QSFP28, QSFP-DD

We are a supplier of compatible optical transceiver products, built to meet reliability and performance requirements. Cisco compatible transceivers are widely used as Cisco is one of the largest and best

[Contact Us](#)

The 10 best enterprise routers in 2025

Find the best enterprise router for 2025. This guide covers top enterprise routers, enterprise Wi-Fi, and wireless options to meet your business

[Contact Us](#)



SFP SFP+ SFP28 QSFP+ QSFP28: Fiber Module Form Factor Guide

SFP, SFP+, SFP28, QSFP+, and QSFP28 optical modules represent key stages in the evolution of pluggable transceiver technology. From 1Gbps enterprise connections to 100Gbps data center

[Contact Us](#)



QSFP28 MSA Explained: Compatibility, Standards, and Risks

Understand QSFP28 MSA standards, compatibility limits, and real-world risks. Learn how to choose reliable 100G optics and avoid deployment failures.



40G QSFP+ Optical Transceivers Complete Guide

Affordability: Wholesale 40g qsfp+ optical transceivers lower total costs As connectivity demands rise across enterprise and telecom, 40g optical

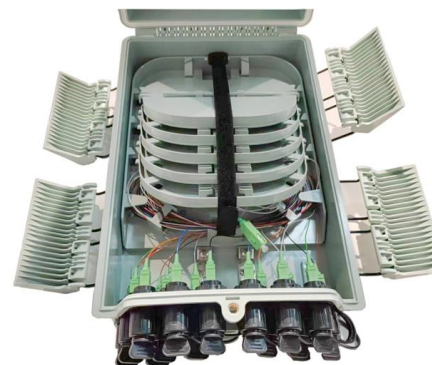
[Contact Us](#)



Everything You Need to Know About Mikrotik QSFP28

Discover everything about MikroTik QSFP28 modules and routers, including transceivers, Ethernet solutions, and the best direct attach cables for

[Contact Us](#)



FS , AI Infrastructure, Data Center, Enterprise

As a worldwide provider of high-performance network products and solutions, FS offers switches, optical transceivers, cabling systems, and management software

[Contact Us](#)





SFP vs SFP+ vs SFP28 vs QSFP+ vs QSFP28: 2026

Compare SFP, SFP+, SFP28, QSFP+ and QSFP28 in this 2026 selection guide. Learn where each form factor fits, decision rules, cost and risk

[Contact Us](#)



FS

FS Ethernet switches and optical modules enable seamless connectivity and efficient data exchange for HPC/ML workloads. Try professional and convenient services of FS to push your projects into

[Contact Us](#)

Transceivers, optical modules

SFP SFP+ XFP SFP28 QSFP+ QSFP28 optical modules with 100M, 1G, 10G, 25G, 40G, 100G bandwidths. Compatible with chosen vendor of the switch, server card, router. Proven quality at the

[Contact Us](#)



Active Optical Cable Breakout QSFP28 100Gbps to 4x28G SFP28, 1

The AOCQSP28100 is an active optical breakout cable designed for use in 100Gigabit Ethernet links. The QSFP28 (100Gbps) interface is electrically compliant and mechanically compliant with the SFF

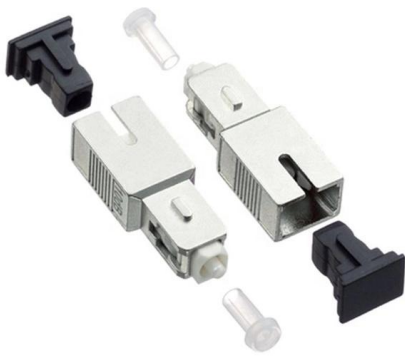
[Contact Us](#)



100GBASE QSFP-100G Modules Data Sheet

Each Cisco QSFP 100-Gbps SR1.2 BiDi transceiver consists of two transmit and receive channels in the 832-918 nanometer wavelength range,

[Contact Us](#)



Overview of QSFP28 LR4 Optical Transceiver

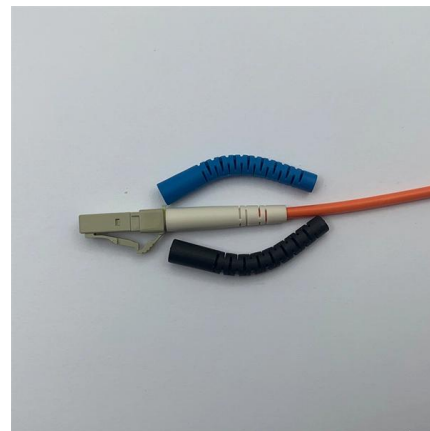
Discover FS's QSFP28 100G LR4 optical transceiver, offering low power consumption, perfect compatibility, and reliable long-distance performance

[Contact Us](#)

Understanding the 100G LR4 Transceiver for Modern

Table of Contents Demand for 100G bandwidth is surging, driven by data centers, service providers, and enterprises scaling their infrastructure. For

[Contact Us](#)



Unveiling the Future of Networking: HPE Aruba 100G QSFP28

Discover the latest in networking technology with HPE Aruba 100G QSFP28 Transceivers. Find out more about features, specifications, and compatibility.

[Contact Us](#)



Forward Error Correction Enables 40km Reach QSFP28

And it can still support 40km reach as long as the host platforms at both ends encode and decode FEC. FEC on host platforms is not that new. It's

[Contact Us](#)



What Is QSFP28 LR4? In-Depth Analysis of Long

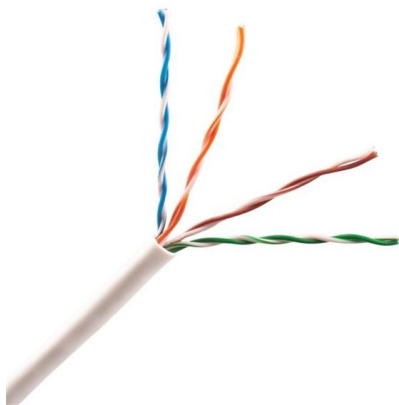
QSFP28 LR4 modules enable reliable long-distance 100G fiber optic links up to 10km, combining 4x25G lanes with WDM technology for high

[Contact Us](#)

SFP,SFP+,SFP28,SFP56,QSFP,QSFP28,QSFP

Choosing a selection results in a full page refresh. F-tone Networks is a brand of fiber optic products factory outlet dedicated to delivering quality compatible optical

[Contact Us](#)



Cisco QSFP-4X10G-LR-S Compatible 40GBASE-PSM4

QSFPTEK manufactured 40GBASE-PSM4 QSFP+ module is compliant with QSFP+ MSA and IEEE 802.3ba 40GBASE-PSM4 specifications. Besides, the QSFP

[Contact Us](#)



Comprehensive Guide to QSFP - MapYourTech

The Quad Small Form-Factor Pluggable (QSFP) family represents a critical evolution in high-speed optical transceiver technology for data centers,

[Contact Us](#)



5-INCH COLOR TOUCHSCREEN
Intuitive operation, easily accessible with just one touch



SFP vs SFP+ vs QSFP28 vs QSFP-DD: 2026 Optical

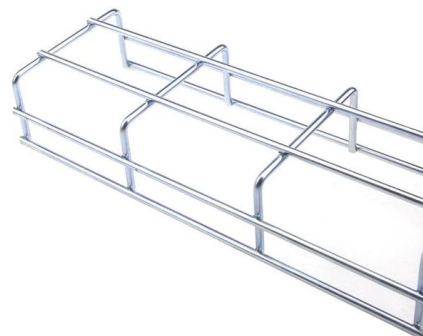
While both use the QSFP28 standard, their host systems look for different vendor signatures. Using a Dual-Coded NSComm module (specifically

[Contact Us](#)

Cisco QSFP-100G-CWDM4-S Compatible 100GBASE-IR4 QSFP28 Optical

Besides, the quad small form-factor pluggable 28 (QSFP28) optic is compatible with brand equipment (Ethernet switches, routers, and NICs). The 3rd-party 100G QSFP28 fiber transceiver module is best

[Contact Us](#)



Connectivity

Ultra-high capacity and best in class coverage in Luxembourg with an international footprint to support our customers requirements for optical connectivity. We are the partner of choice for your

[Contact Us](#)



CFP vs QSFP28: Choosing the Right 100G Fiber Optic Module for

Compare CFP and QSFP28 100G fiber optic modules for data centers, cloud networking, and long-haul deployments. Discover technical differences, power consumption, port density,

[Contact Us](#)



FS Transceivers , Premium Optical Transceivers & Fiber Solutions

For standard optical transceivers including SFP, SFP+, QSFP+, and QSFP28 modules, we maintain extensive inventory and can ship most orders same-day when placed before 3 PM local warehouse

[Contact Us](#)



Cisco 100GBASE QSFP-100G Modules Data Sheet

Cisco QSFP-100G-SR1.2 The Cisco QSFP 100-Gb SR1.2 Bi-Directional (BiDi) transceiver is a pluggable optical transceiver with a duplex LC connector interface for short-reach data communication and

[Contact Us](#)



Luxembourg Cisco QSFP-100G-CWDM4-S SMF Optical Transceiver

100G QSFP28 CWDM4 is designed to operate over a single-mode fiber system using a 4X25 CWDM channel in 1310 band and links up to 2km. The module converts 4 input channels of 25Gb/s electrical

[Contact Us](#)



FS FiberStore

Fiberstore designs, manufactures, and sells a broad portfolio of optical communication products, including passive optical network, or PON, subsystems, optical transceivers used in the

[Contact Us](#)



100G transceivers

100G Transceivers - What You Need to Know Before you Buy! 100G Transceivers The shift to 100G networks isn't just for giant data centers anymore.

[Contact Us](#)



Active Optical Cable QSFP28 100Gbps, 1 meter, Cisco

The AOCQP28100 is an active optical cable designed for use in 100Gigabit Ethernet links. They are electrically compliant and mechanically compliant with the

[Contact Us](#)



Contact Us

For datasheets, pricing, or custom fiber access solutions, please visit:
<https://frindel.es>