

# **Low-voltage motor relay protection**





## Low-voltage motor relay protection

---



### **Schneider P127BA0V6D3FE0 Protection Relay** <https://>

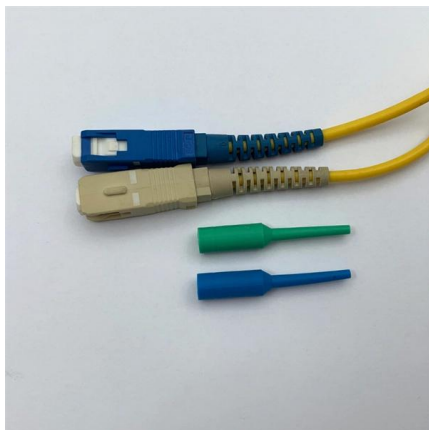
It supports 24-250V DC / 48-240V AC power supply with IP50 ingress protection. Applied for the protection of feeders, transformers, motors and other equipment in medium and low-voltage power

[Contact Us](#)

### **Motors and Generators Protection Control Relays**

FANOX LOW VOLTAGE CATALOGUE Fanox designs and manufactures the most reliable protection & control relays on the market. Products that efficiently prevent engine burnouts, saving costly repairs

[Contact Us](#)



### **Motor and Pump Protection Relays for Damage Prevention**

Littelfuse makes multifunction relays for single-phase, three-phase, low voltage, and medium voltage motors and pumps. As optional devices justify their cost by

[Contact Us](#)

### **C& S Electric**

Low Voltage Switchboards Switchboards LV & MV  
Busducts LV Bustrunking Protection &  
Measurement Devices Feeder Protection Motor  
Protection

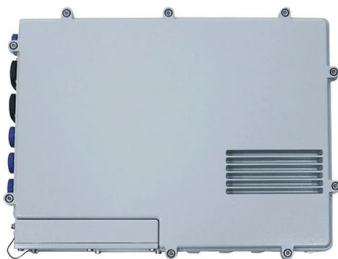
[Contact Us](#)



### Motor Protection Switch (DMK Series)

DEKO Motor Protection Switches (DMK Series) are designed to provide comprehensive protection for electric motors against overload, short circuit, phase failure, and other faults. With a modular design,

[Contact Us](#)



### Low Voltage Motor Protection

Motor Protection Circuit Breakers Motor Protection Circuit Breakers (MPCBs) combine the short-circuit and isolation functionality of a molded case circuit breaker with the motor overcurrent protection of a

[Contact Us](#)



### SIPROTEC Protection Relays , Siemens

Power quality measurement: Monitor your transmission and distribution lines with a traveling wave recorder. Universal protection relay:

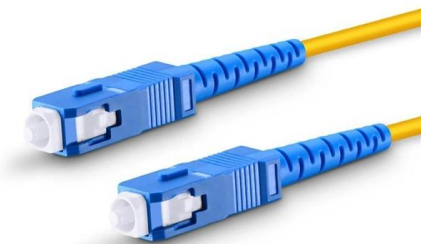
[Contact Us](#)



## Motor protection and control

The protection relays provide main protection for synchronous and asynchronous motors. They can be used for circuit-breaker and contactor-controlled motors in a variety of drive applications, such as,

[Contact Us](#)



## A Complete Guide to Motor Protection Relays , TOSUNlux

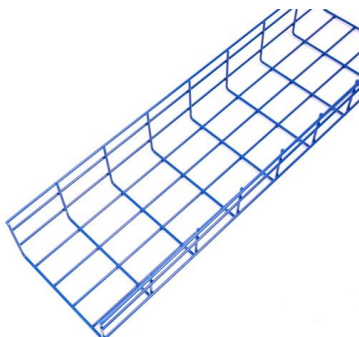
Protect your industrial motors. Our guide to motor protection relays explains how to choose the right one to prevent costly downtime and extend

[Contact Us](#)

## EEEONLINE

Syllabus and Notes for Academics Recent Posts  
PC3711 Industrial Training / Internship II Syllabus  
PC3651 Computational Petrochemical Laboratory  
Syllabus PC3611 Chemical Reaction and Process

[Contact Us](#)



## Low Voltage Motor Protection

William Martin, Amanda Eason, and Ashwinkumar Govinbhai Patel  
SupplyMotorMotorMotor Overload Protection  
Types of Overload Relays  
Electronic Overload Relays  
Protection Methods  
Communication Options  
E300 AO  
PCIP Energy  
Diagnostic Information  
Life of a Typical Motor Installation  
Application Considerations  
Downtime  
Motor Life  
In today's world of manufacturing, motors provide the majority of power that is used to convert raw materials into finished goods. In fact, over 50%



of the work completed in today's manufacturing plant is completed by electric motors. It is estimated that this percentage will continue to increase for the foreseeable future. With this great percenta See more on literature.rockwellautomation SEL

## **SEL motorMAX , Schweitzer Engineering Laboratories**

The motorMAX Low-Voltage Motor Management and Protection System is the SEL smart motor control system for low-voltage motor control centers (MCCs).

[Contact Us](#)



### **Motor Control Center , motor starter , VFD MCC , AFD**

Now featuring Exertherm Continuous Thermal Monitoring (CTM), Eaton's low-voltage MCCs deliver enhanced operational insight and protection. Exertherm CTM

[Contact Us](#)



### **Application of Next-Generation Motor Management Relays to**

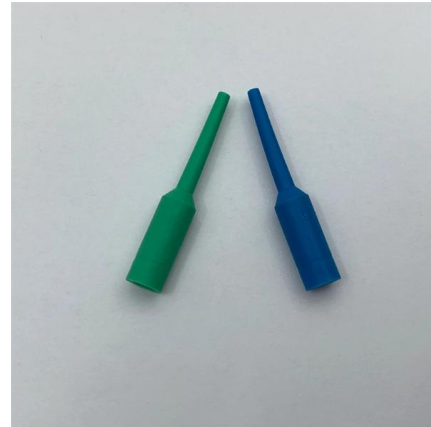
Many process areas in cement apply AFDs for low and medium-voltage motors. Because drives include real-time instantaneous control of motor torque across a span of multiple frequencies, motor

[Contact Us](#)

### **Switchgear**

High-voltage switchgear was invented at the end of the 19th century for operating motors and other electric machines. The technology has been improved over

[Contact Us](#)



### **SEL-751 Feeder Protection Relay , Schweitzer**

The SEL-751 Feeder Protection Relay is ideal for directional overcurrent, fault location, arc-flash detection, and high-impedance fault detection applications.

[Contact Us](#)



### **A Complete Guide to Motor Protection Relays , TOSUNlux**

As a professional low-voltage electrical manufacturer with decades of experience, TOSUNLUX delivers high-performance solutions that meet the needs

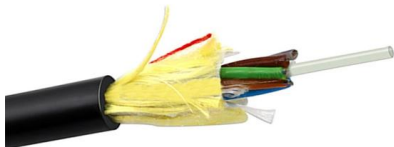
[Contact Us](#)



### **Motors and Generators Protection Control Relays**

Fanox, one of the main specialists in the world on electronic protection engines, have designed a complete range of electronic relays for submersible and surface mounted pumps protection, that

[Contact Us](#)

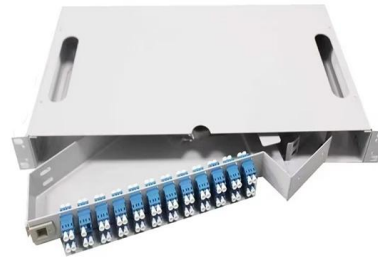




## Circuit and Load Protection

Circuit and Load Protection products protect solenoids, relay coils, pilot devices, PLC outputs, and more. They are DIN Rail mountable for quick installation and

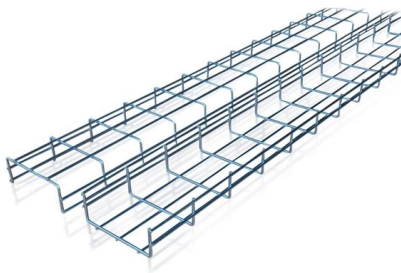
[Contact Us](#)



## Protection and control for low voltage

ES relays offer soft start and soft stop protection functions for 3-phase induction motors of up to 22 kW / 400 V, ensuring less current and voltage drop during start

[Contact Us](#)



## All Products , Schneider Electric India

Motor Starters and Protection Components  
Ranges: 2 Motor starters are key electromechanical switches. They start and stop motors, providing overload Contactors and Protection Relays

[Contact Us](#)



## Electronic Motor Protection Relays for Industrial Safety

Explore Lauritz Knudsen Electrical & Automation's motor protection relays and devices designed to ensure reliable relay motor protection, safeguarding motors

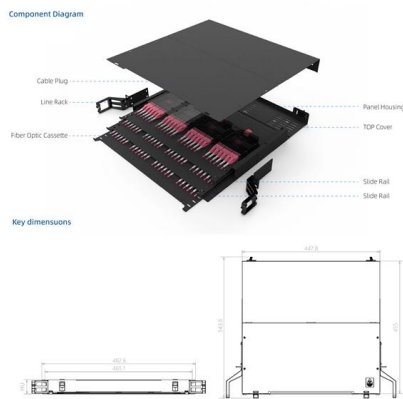
[Contact Us](#)



## Motor protection and control REM601

REM601 is a dedicated motor relay designed for the protection and control of medium-voltage and low-voltage asynchronous motors in the manufacturing and process industry.

[Contact Us](#)



## Protection and control for low voltage

C basic motor protection relays are designed for 3-phase motors of low and medium power, having maximum rated voltage of 1000 Vac and current from 1 to 630 A

[Contact Us](#)

## Contact Us

---

For datasheets, pricing, or custom fiber access solutions, please visit:  
<https://frindel.es>