

Low-voltage distribution box xlw dimensions





Low-voltage distribution box xlw dimensions



XL_Low Voltage Cabinet_Low Voltage Series_Product

The XL series low-voltage power distribution cabinet is suitable for industrial and residential power distribution of AC three-phase four-wire systems with a frequency of 50Hz and voltages of 400V and

[Contact Us](#)

Xlw CCC Certified Low Voltage Cable Distribution Box

This low-voltage cable branch box is designed for 0.4kV power distribution systems, serving as a core supporting device for branching and transitioning power distribution lines. It is suitable for both indoor



[Contact Us](#)



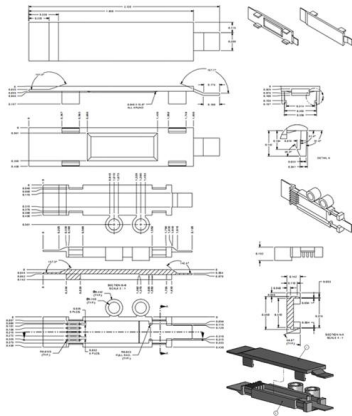
XL-21 Low-Voltage Power Distribution Box , 380V 800A

Below are the typical dimensions for a standard configuration. This is an example of a single-line diagram (SLD) for an XL-21 power distribution application. We build

[Contact Us](#)

XL-21 Series Low Voltage Power Distribution Cabinet

It also controls squirrel-cage and wound-type motors in low-voltage control systems. You can customize the cabinet's dimensions: width (400-1000mm), height (1600



Xlw Metal Enclosure Low Voltage Cable Distribution Box

This low-voltage cable branch box is designed for 0.4kV power distribution systems, serving as a core supporting device for branching and transitioning power distribution lines. It is suitable for both indoor

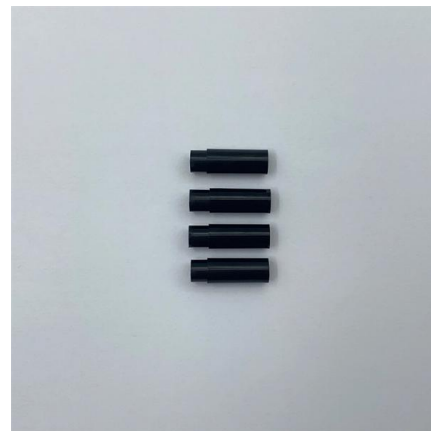
[Contact Us](#)



XL-21 Low Voltage Distribution Cabinet, Durable Power

The XL-21 type low-voltage power distribution box has a sturdy structure and good protection performance. It is easy to install and wire, and is suitable for power

[Contact Us](#)



XL-21 Low-Voltage Power Distribution Box , 380V 800A

Detailed Overview of the XL-21 Power Distribution Box The Fulleto XL-21 series is an indoor, floor-standing power distribution cabinet engineered for excellence. It

[Contact Us](#)



XL-21 Low Voltage Power Distribution Panel , Up to

The XL-21 Power Distribution Box is used for power distribution, conversion, transmission, control, and on-site operations in low-voltage distribution systems.

[Contact Us](#)



Xlw-21 Model Low Voltage Power Distribution Box

XLW-21 Model Low Voltage Power Distribution Box Type Distribution Metering Box Structure Fixed Board Certification ISO9001:2000, CCC Form All- packaged Type Operation Voltage Low Voltage

[Contact Us](#)

XL Low Voltage Power Distribution Cabinet

XL Low Voltage Power Distribution Cabinet The XL-21 low voltage power distribution cabinet is suitable for three-phase four-wire systems with AC voltages up to 500V. It is primarily used for power

[Contact Us](#)



Xlw Low Voltage Cable Distribution Box

This low-voltage cable branch box is designed for 0.4kV power distribution systems, serving as a core supporting device for branching and transitioning power distribution lines.

[Contact Us](#)



XL Low Voltage Power Distribution Cabinet

XL Low Voltage Power Distribution Cabinet suitable for three-phase four-wire systems with AC voltages up to 500V. It is primarily used for power distribution purposes in power plants, indu

[Contact Us](#)



Xlw Low Voltage Cable Distribution Box

This low-voltage cable branch box is designed for 0.4kV power distribution systems, serving as a core supporting device for branching and transitioning power distribution lines. It is suitable for both indoor

[Contact Us](#)

Xlw Series Outdoor Cable Distribution Box for Reliable Power Supply

XLW Certification ISO9001:2000, VDE, CCC Form Partly-welded Type Operation Voltage Low Voltage Size 3 Unit Application Range Low Voltage Power Distribution System Shell Material Stainless Steel

[Contact Us](#)



XLW Low Voltage Outdoor Distribution Box

XLW low voltage outdoor distribution box is a kind of outdoor low voltage power distribution equipments, which can be installed against the wall, operated in the front door and maintained easily. 1.Wide

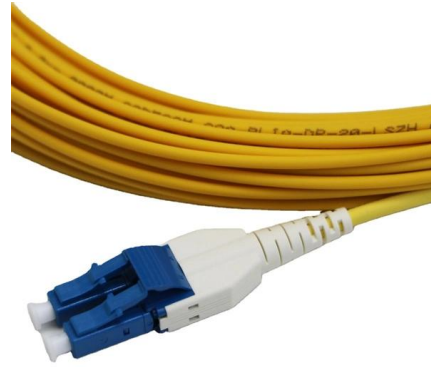
[Contact Us](#)



Xlw Series Outdoor Waterproof Electrical Junction Box for Low Voltage

The XLW outdoor distribution box features a top waterproof cover, allowing heat dissipation and moisture control. It includes inner and outer doors; the outer door is sealed with waterproof strips,

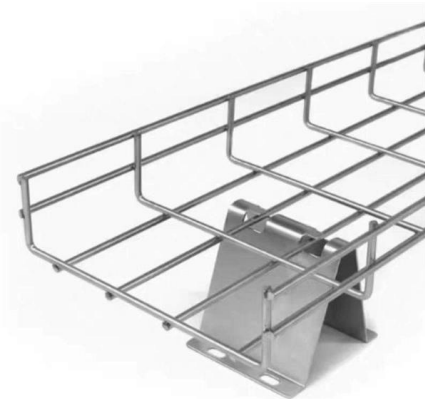
[Contact Us](#)



Xlw Series Weatherproof Junction Box for Secure Power Distribution

Primarily used in three-phase low-voltage systems with AC 50Hz, voltage of 380V or 660V, and current up to 630A for power and lighting distribution. Suitable for low-voltage control systems.

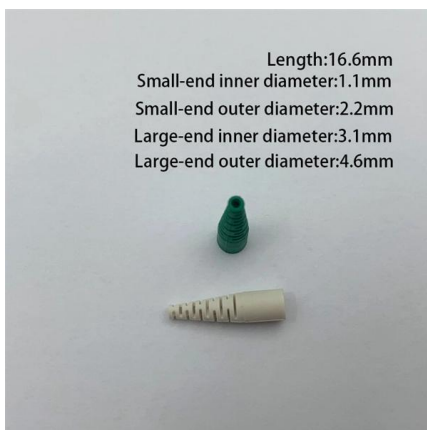
[Contact Us](#)



XL-21 low voltage electric power switchgear electrical distribution box

XL-21 low voltage electric power switchgear is a cutting-edge solution for efficient and reliable power distribution. With its advanced technology and superior performance, it ensures seamless operation

[Contact Us](#)



XL-21 Power Cabinet Supplier & Manufacturers

The XL-21 power cabinet is designed for low-voltage power distribution, providing a reliable solution for various industrial and commercial applications. It offers

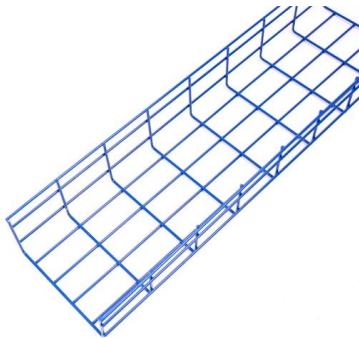
[Contact Us](#)



Xlw-21 Model Low Voltage Power Distribution Box

5. Main application: XLW-21 Model Low Voltage Power Distribution Box is mainly installed in the outdoor. It is used in low voltage electricity distribution system of alternative current frequency 50Hz,

[Contact Us](#)



Xlw Series Outdoor Power Distribution Box for Secure Installations

XLW features a waterproof cover to manage heat and moisture, with inner and outer doors; outer with waterproof strips, inner for instruments. Available in floor and wall-mounted versions, with bottom

[Contact Us](#)

Xlw Series Outdoor Waterproof 3-Phase Low Voltage Cable

The XLW outdoor distribution box is primarily installed outdoors as part of a three-phase, three-wire, four-wire, or five-wire low-voltage power distribution system with AC 50Hz, rated voltage of 380V or

[Contact Us](#)



XL -N 630 3-phase distribution boards XL -N 630 3-phase

3-phase distribution boards for moulded case circuit breakers, DRX or DPX3; IP 40 (IP42 with the kit Cat.No 6 045 68) - IK 08 with door; Conform to standard IEC 61439-2.Type tested; tested and

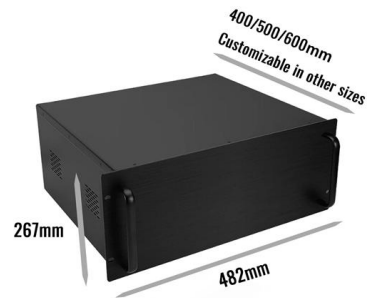
[Contact Us](#)



XL-21 power distribution cabinet

The main distribution box adopts self-design of new components, compact structure, beautiful appearance, easy maintenance, a variety of wiring options for users to

[Contact Us](#)



Low Voltage Fixed Electrical Power Distribution Board

XL-21 type low voltage distribution cabinet is suitable for three-phase AC 50/60HZ, max voltage 690V, rated current to 800A power distribution system,Used to

[Contact Us](#)

Xlw Series Secure Cable Distribution Box for Heavy Duty Outdoor Use

Used in three-phase low-voltage systems with AC 50Hz, voltage at 380V/660V, and current up to 630A for power/lighting distribution. Ideal for low-voltage control systems.

[Contact Us](#)



Contact Us

For datasheets, pricing, or custom fiber access solutions, please visit:
<https://frindel.es>