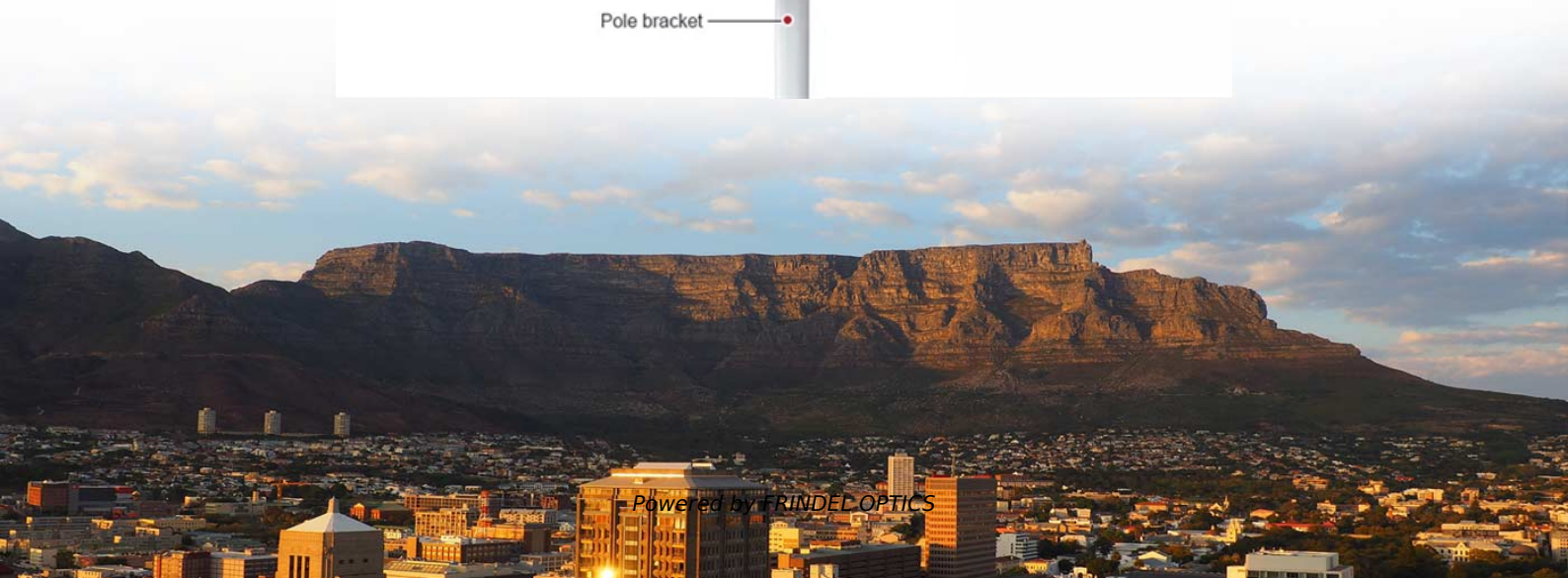




FRINDEL OPTICS

Low Temperature Resistant GPON Equipment for Base Stations 2026 Model





Low Temperature Resistant GPON Equipment for Base Stations 202



Robust Online Temperature Management for Passively Cooled Base Stations

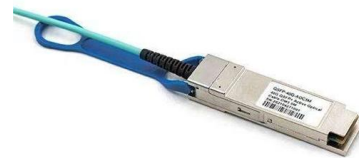
Abstract--Passively cooled base stations (PCBSs) offer low deployment cost and energy consumption for the next generation networks. By its nature, however, dealing with the thermal issue becomes

[Contact Us](#)

Understand GPON Technology

This document describes the Gigabit Passive Optical Network (GPON) technology and how it functions.

[Contact Us](#)



How to Choose Huawei GPON: A Complete Buying

Learn what to look for in a Huawei GPON solution, from key features to pricing and top models. Make an informed decision with this expert guide.

[Contact Us](#)

Energy-efficiency schemes for base stations in 5G heterogeneous

In today's 5G era, the energy efficiency (EE) of cellular base stations is crucial for sustainable communication. Recognizing this, Mobile Network Operators are actively prioritizing EE for both



Thermoelectric Cooling for Base Station and Cell Tower

Many base stations and cell phone towers are found in isolated locations with limited access for repair and maintenance. Long life operation is

[Contact Us](#)



GPON

GPON uses passive optical network (PON) is a fiber-optic access architecture in which a single optical fiber from a central location is shared by multiple end users through one or more passive optical

[Contact Us](#)



Cisco Catalyst PON Series Switches Data Sheet

CGP-OLT products are compact and high-density network

[Contact Us](#)





PON Module Parameters Guide: How to Choose the

Discover key PON module parameters for selecting the best GPON and EPON modules. Understand their impact on network performance and make

[Contact Us](#)



A Review on Thermal Management and Heat

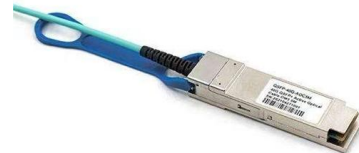
A literature review is presented on energy consumption and heat transfer in recent fifth-generation (5G) antennas in network base stations. The

[Contact Us](#)

TJ1400 GPON / XGS-PON OLT , Modular Fiber Access Platform

Tejas Networks TJ1400 is a modular, carrier grade OLT platform that converges broadband access and packet transport, supporting GPON, XGS PON, and multi PON technologies on a single system.

[Contact Us](#)



Microsoft Word

The GPON element at the cell site that interfaces to the base station is the cell site gateway. Basic cell site gateway functionality includes termination of the GPON link on the network side and presenting

[Contact Us](#)

(PDF) A Review on Thermal Management and Heat



PDF , A literature review is presented on energy consumption and heat transfer in recent fifth-generation (5G) antennas in network base stations.

[Contact Us](#)



xPON

The ISCOM6860 is the medium-sized carrier-grade Optical Line Terminal (OLT) platform. It offers GPON, XG/XGS-PON, EPON, 10GE PON, and Active Ethernet access, for all types of ISPs and

[Contact Us](#)



ZXA10 C610E Product

Supports series of installation modes, including residential building, equipment room, basement, outdoor cabinet, and pole-mount to reduce the expenditure in

[Contact Us](#)



In-Depth Analysis of Temperature Adaptability for 4G Cellular Routers

At an oil and gas exploration site within the Arctic Circle, a certain brand of 4G cellular router experienced capacitor failure due to -45°C low temperatures, resulting in a 12-hour communication

[Contact Us](#)





Top 5G Base Station gNodeB Manufacturers & Vendors

Explore the leading manufacturers of 5G gNodeB base stations, including Nokia, Ericsson, Huawei, Samsung, and ZTE, and their contributions to the telecom

[Contact Us](#)



Top 5G Base Station gNodeB Manufacturers & Vendors

Explore the leading manufacturers of 5G gNodeB base stations, including Nokia, Ericsson, Huawei, Samsung, and ZTE.

[Contact Us](#)



GPON Market Size & Share, Statistics Report, 2025 - 2034

The global gigabit passive optical network (GPON) market was valued at USD 7.3 billion in 2024 and is projected to grow at a CAGR of 9.4% between 2025 and 2034.

[Contact Us](#)



Essential Requirements For GPON Equipment

Scope This document describes the essential requirements for GPON Equipment under Mandatory Testing & Certification of Telecommunication Equipment (MTCTE) notified by Government of India

[Contact Us](#)





Some Abnormal OLT GPON CLASS B+ Optical

Abstract: Some OLT GPON CLASS B+ optical modules provided by SOURCE PHOTONICS may rarely become faulty after long-term working at high

[Contact Us](#)



The next generation of passive optical networks: A review

Passive Optical Networks (PONs) have become a popular fiber access network solution because of its service transparency, cost effectiveness, energy

[Contact Us](#)

Complete Guide to 5G Base Station Construction , Key

Explore how 5G base stations are built--from site planning and cabinet installation to power systems and cooling solutions. Learn the essential

[Contact Us](#)



Thermoelectric Cooling for Base Station and Cell Tower Equipment

Temperature control of sensitive telecom electronics in unattended mobile base stations and cell towers is vital for the operation of primary and back-up systems. Heat can significantly

[Contact Us](#)



Low-Temperature Batteries for Telecom Base Stations:

How low-temperature LiFePO4 batteries solve backup power failures at telecom base stations in arctic, subarctic, and high-altitude environments.

[Contact Us](#)



Thermoelectric Cooling for Base Station and Cell Tower Equipment

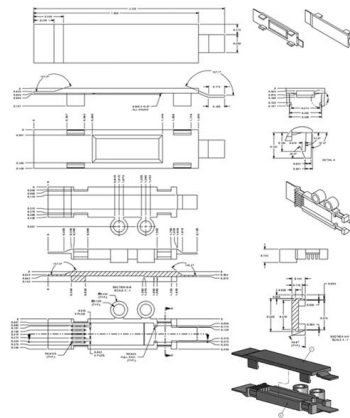
Many base stations and cell phone towers are found in isolated locations with limited access for repair and maintenance. Long life operation is required in wireless base station and cell

[Contact Us](#)

GPON Market Size, Share , Industry Report & Forecast

GPON Market Size, Share and Growth Analysis Report - Forecast Trends and Outlook (2026-2035) GPON Market: By Equipment Type: Optical

[Contact Us](#)



Communication Base Station Backup Power LiFePO4

If so, let's get to know the right LiFePO4 manufacturers? The LiFePO4 battery manufacturer of for Communication Backup Power Grepow

[Contact Us](#)



Contact Us

For datasheets, pricing, or custom fiber access solutions, please visit:
<https://frindel.es>