

Lithuanian ONT Optical Network Terminal 40G

Length:14.5mm
Small-end inner diameter:2.0mm
Large-end inner diameter:3.5mm
Outer diameter:5.2mm





Lithuanian ONT Optical Network Terminal 40G



GPON OLT Basics and Beyond: A Comprehensive Introduction

In today's rapidly evolving optical networking landscape, GPON (Gigabit Passive Optical Network) technology stands as the mainstream solution for delivering fast, stable, and high-capacity

[Contact Us](#)

Exploring the Essential Functions of an Optical Network

Discover the crucial role of an ONT in fiber optic networks, its functions, evolution, and diverse types. Learn about ONT integration with smart home

[Contact Us](#)



What Is ONT? Understand Optical Network Terminal in

An Optical Network Terminal (ONT) is a critical device in fiber-optic networks, enabling high-speed, stable connectivity for homes, businesses, hotels,

[Contact Us](#)



A Quick Guide to ONT (Optical Network Terminal)

The ONT - Optical Network Terminal (also known as the modem) is connected to the Termination Point (TP) via an optical fiber cable. Using an

[Contact Us](#)



GPON

GPON uses passive optical network (PON) is a fiber-optic access architecture in which a single optical fiber from a central location is shared by multiple end users through one or more passive optical

[Contact Us](#)

GPON ONT (Optical Network Terminal)

An Optical Network Terminal (ONT), sometimes referred to as an Optical Network Unit (ONU), is a device that is placed at the customer's premises and securely connects the incoming fibre supply to

[Contact Us](#)



The Comprehensive Guide to PON Architecture: Mastering OLT, ONU, ONT

Comprehensive guide to Passive Optical Networks (PON), covering OLT, ODN, ONU/ONT, GPON/XGS-PON/NG-PON2 standards, deployment strategies, and FTTH network

[Contact Us](#)

Optical network terminals



Our next generation of multigigabit XGS-PON optical network terminals (ONTs) is here and ready to support the most bandwidth-intensive subscribers on your

[Contact Us](#)



**4E6F6B6961204F4E5420472D303431472D5
120517569636B205265666572656E636520
4**



1. Product Overview The Nokia Optical Network Terminal (ONT) G-041G-Q delivers gigabit speed in an Optical LAN environment to provide premium service experience for all the services, including data,

[Contact Us](#)

What is Optical Network Terminals (ONT)?

Explore Optical Network Terminals (ONT), their functions, and how they support efficient, high-speed connectivity in modern fiber networks.

[Contact Us](#)



Data Sheet - SNR-ONT-1G

Product Overview The SNR-ONT-1G is Optical Network Terminal (ONT) compliant with ITU-T G.984 standard. GPON technology supports upstream 1.25Gbps and downstream 2.5Gbps data

[Contact Us](#)





Optical Network Terminal, Wall, 0 to 40 deg C, 48-56VDC

Description The Tellabs 140W optical network terminal (ONT) offers 4-port Gigabit ethernet connectivity that is a scalable and smart choice for the new enterprise LAN. This evolutionary ONT can be

[Contact Us](#)



- IP45/IP55 OUTDOOR CABINET
- OUTDOOR MODULE CABINET
- OUTDOOR 5G BASE STATION CABINET
- WATERPROOF



Optical Access

It supports visualized management on a mobile app, simplifying O& M, even for those with limited expertise. In addition, the solution uses next-generation power over

[Contact Us](#)

Nokia Customer Support Portal

Support Portal provides access to various services for Nokia Customers and Partners, such as Product Documentation, SW Downloads, Ticket Creation and Case Handling.

[Contact Us](#)



What Is An ONT? - A Quick Guide

The Optical Network Terminal (ONT) is a cornerstone of contemporary fiber-optic communication networks. As the intermediary between

[Contact Us](#)



GigaPoint ONTs and ONUs , Calix

The GigaPoint® GP4201XH optical network terminal is an outdoor, XGS-PON service delivery terminal providing one 10 Gigabit Ethernet (GE) interface and

[Contact Us](#)



- IP65/IP55 OUTDOOR CABINET
- IP54/55
- OUTDOOR ENERGY STORAGE CABINET
- OUTDOOR BATTERY CABINET

Next-Gen Optical Line Terminal - 40G Capacity, SDN

Next-gen optical line terminal with 40G capacity, smart aggregation, and SDN integration for high-speed, versatile network applications.

[Contact Us](#)

What is an optical network terminal (ONT)?

An optical network terminal is a device that connects a customer's premises to an optical network. Learn all about ONTs, how they work, and why

[Contact Us](#)



Cisco 10G Routed PON ONT Data Sheet

These 10G optical network terminals for fiber-to-the-premises applications can be managed remotely and are interoperable with the Cisco Routed PON solution. Three models offer a

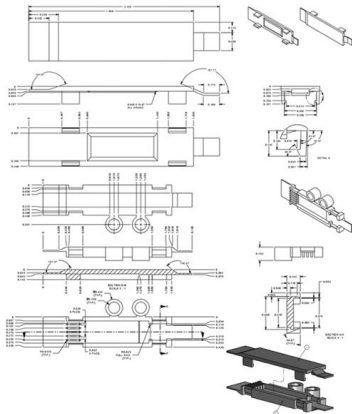
[Contact Us](#)



Nokia ONT G-040P-T Quick Reference Guide

The Nokia Optical Network Terminal (ONT) G-040P-T is designed to deliver gigabit speeds in an Optical LAN environment. The Nokia ONT G-040P-T provides four Gigabit Ethernet (GigE) user interfaces

[Contact Us](#)



Optical Terminal

The OptiXstar product series extends optical connectivity to every home, enterprise, and campus, bringing families closer and making enterprise operations far more

[Contact Us](#)

Optical Network Terminal (ONT) Units

These innovative, efficient components provide everything you need to reliably and safely power an ONT unit. Because our devices are optimized for low standby power and high power density in small

[Contact Us](#)



What is ONT? The Engineer's Guide to Optical Terminals

What is ONT and how does it work? Learn the engineering reality behind the Optical Network Terminal, ONT cables, photoelectric conversion, and LOS troubleshooting.

[Contact Us](#)



ONT/ONU Devices , Optical Network Terminals and

Discover our selection of GPON, EPON, and XG (S)PON ONT/ONU devices. Choose from reliable Optical Network Terminals for seamless connectivity and

[Contact Us](#)



What is ONT (Optical Network Terminal)? Everything

As fiber-optic internet services become more common, understanding the devices that connect homes and businesses to these networks is essential.

[Contact Us](#)

What is an Optical Network Terminal (ONT)?

Discover how an Optical Network Terminal (ONT) enables fiber-optic broadband, gigabit internet, and VoIP services by converting optical signals into Ethernet

[Contact Us](#)

SUPPORTS DIN RAIL INSTALLATION



Optical Network Terminal (ONT) Units

Description An optical network terminal (ONT) unit is a device that connects fiber optics cables to other wiring such as Ethernet and phone lines by converting the signal from optical to electrical and vice

[Contact Us](#)



Huawei HG8040H FTTH HG8040H PRICE AND SPECS

HG8040H FTTH is an indoor Optical Network Terminal (ONT) used in Huawei's FTTH solution with 4 GE Port HG8040H FTTH Product Overview HG8040H

[Contact Us](#)



Understanding GPON ONU: A Comprehensive Guide -

GPON ONU is a terminal device that converts optical signals into electrical signals, providing high-speed broadband connections with multiple service interfaces.

[Contact Us](#)

Contact Us

For datasheets, pricing, or custom fiber access solutions, please visit:
<https://frindel.es>