

List of 24-port Terminal Box Models





List of 24-port Terminal Box Models



24 Port Wall mount Fiber termination box , Fiberlink

24 Port Wall mount Fiber termination box is used as a termination point for the feeder cable to connect with 24 pcs drop cable in FTTx system.

[Contact Us](#)

24 Port Fiber Termination Box

The box is designed for easy installation with features like removable panels and integrated cable management facilities. Additionally, we provide a comprehensive

[Contact Us](#)



24 Ports Terminal Box

Shop our 24 ports terminal boxes for reliable fiber optic communication. Perfect for FTTH applications, these boxes offer robust performance and durability.

[Contact Us](#)



EX4100 Models and Specifications , Juniper Networks

This topic provides details of the EX4100 models and their specifications, information on number of ports and PoE support, throughput, and components in the shipment for each model.



Terminal Box 24-port SC Connector

24-port Fiber Optic Terminal Box, with SC connector. Fiber optic terminal box is a fiber management product for fiber link distribution and

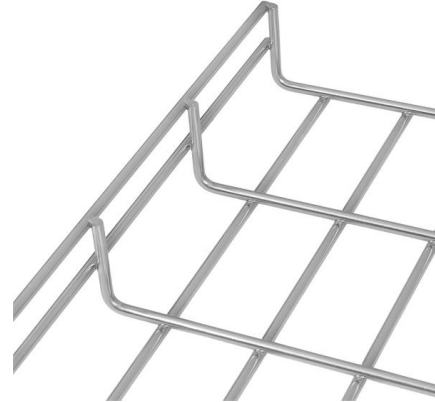
[Contact Us](#)



Fiber Optic 24 Port FTTH Terminal Box/Distribution Box

The main products of TAKFLY include fiber optic patch cord, connector, adapter, optical coupler, attenuator, optic media converter, optic splice closure, optic

[Contact Us](#)



Hubs, Closures, Terminals & Boxes

Hubs, Closures, Terminals & Boxes ensure superior protection, reliability and scalability for your outdoor networks.

[Contact Us](#)





Fiber Optic Terminal Box 24 core FAT-24C

Description FAT-24C Fiber Termination Box provides a high density wall mounted solution for next generation networks, which aims to provide and manage

[Contact Us](#)



Garosa Optical Fiber Terminal Box 24 Core 24 Port Fiber

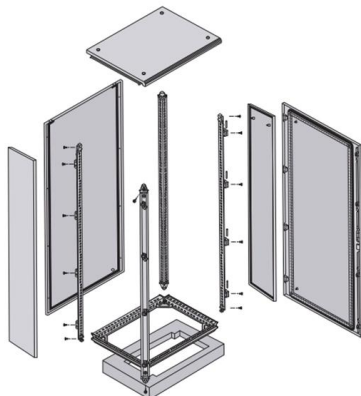
The wall-mounted user cable terminal box, whose function is to provide the fusion of fibers, the fusion of fiber and tail fiber, and the connection of optical connectors. Provide mechanical and environmental

[Contact Us](#)

ES5MFMT00001

Overview ES5MFMT00001 is a 24-port hybrid cable terminal box, which offers 24 empty ports but no PDLC optical-electrical adapters and is applicable to optical-electrical integration and optical

[Contact Us](#)



FTB-ABS-12/16/24, Fiber Termination Box up to 24 ports

Fiber Termination Box provides a high density wall-mounted solution for next generation networks, which aims to provide and manage maximum numbers of fiber termination in a limited

[Contact Us](#)

5520 , Extreme Networks



Available in 24 and 48-port 1 Gigabit models, 1/2.5/5 Gigabit multi-rate models, as well as, a 24-port 10 Gigabit model, the 5520 Series provides end-to-end secure

[Contact Us](#)



24F Terminal Access Box - PPC Broadband , Product Catalog

The 24F Terminal Access Box is a multi-purpose fiber terminal that can be splice-ready with pigtails or with one or two splitters, serving up to 24 SC ports. It is suitable for FTTH applications in multi

[Contact Us](#)



24 cores Fiber Terminal box - FTBM224A

24 cores Fiber Terminal box - FTBM224A - OMC
Your trusted source for fiber optic solutions.
Contact us today.

[Contact Us](#)



FTTH distribution boxes 4, 8, 16, 24, 36 or 48 ports

Premium-Line FTTH distribution box is aim designed for multi-purpose applications in FTTH projects. Read more here!

[Contact Us](#)





24 cores Fiber Terminal box - FTBM224B

24 cores Fiber Terminal box - FTBM224B - OMC
Your trusted source for fiber optic solutions.
Contact us today.

[Contact Us](#)



Interface Nomenclature Guide of Router and Switch

This tutorial presents the Cisco device naming convention and interface nomenclature guide for routers and switches.

[Contact Us](#)

16/24 Ports Pre-connectorized Fiber Terminal Box for FTTH

The HTB8064 Pre-connectorized Fiber Terminal Box supports 16 or 24 ports with plug-and-play SC/APC adapter. Durable, IP65-rated, and ideal for FTTH deployments.

[Contact Us](#)



Cisco Catalyst 9200 Series Switches Data Sheet

This data sheet describes the benefits, specifications, and ordering information for the Cisco Catalyst 9200 Series Switches.

[Contact Us](#)



Outdoor Terminal Box Model 9 Out

Ordering Information Using the available configurations amend/create product codes using the formula below. Example: OTB09EMSCS24 - Unloaded SC Simplex 24 Port Outdoor Terminal Box Model 9

[Contact Us](#)



Terminal Units , nailor

Nailor's complete range of air terminal units engineered to maintain the ideal temperature within specific zones, ensuring maximum comfort for occupants. These zone-level distribution devices accurately

[Contact Us](#)

24Cores Fiber Access Terminal Box

24Cores Fiber Access Terminal Box is able to hold up to 24 subscribers. It is used as a termination point for the feeder cable to connect with drop cable in FTTX network system. It integrates fiber splicing,

[Contact Us](#)



Fiber Optic Terminal Box -- Wall & Desktop , TTI Fiber

Fiber optic terminal boxes for FTTH and indoor cabling. Wall mount & desktop types. 4-24 ports. IP65 rated outdoor options.

[Contact Us](#)

24F Terminal Access Box



This terminal is small, light-weight and perfect for fiber routing. It's wall mountable, and easy to install and maintain. The terminal access box provides 8, 16 or 24 ports in a simple, single-layer design -

[Contact Us](#)



List of TCP and UDP port numbers

This is a list of TCP and UDP port numbers used by protocols for operation of network applications. The Transmission Control Protocol (TCP) and the User Datagram Protocol (UDP) only need one port for

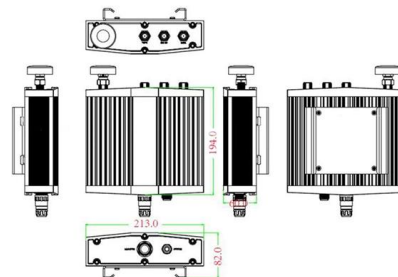
[Contact Us](#)

Microsoft Word

FEATURES: Premium Line's 24ports wall mount fiber optic box is designed for direct termination of fibers. The box includes two separate sections: one for the fusion splice trays and one for the cable

[Contact Us](#)

Mechanical drawing



Contact Us

For datasheets, pricing, or custom fiber access solutions, please visit:
<https://frindel.es>