

Liquid-cooled cable trays





Liquid-cooled cable trays



Liquid-Cooled Data Centers in Dubai: Cable Tray Designs That

All this forces engineers to look for solutions that simultaneously protect cable systems and ensure uninterrupted cooling operation. Mistakes in the design or selection of materials become

[Contact Us](#)

Shenzhen International Data Center Liquid Cooling Industry Exhibition

STAUFF China will be exhibiting at the 6th Shenzhen International Data Center Liquid Cooling Industry Exhibition 2026 at the Shenzhen World Exhibition & Convention Center (New Hall). The event takes

[Contact Us](#)



Cable tray manufacturing , High temperature material , Eaton

There are many considerations in choosing the correct cable tray material for use in high temperatures. With a careful analysis of your environment and the materials available, you are sure to find a cable

[Contact Us](#)



Hardware -- NVIDIA DGX GB Rack Scale Systems User Guide

The complete DGX GB rack system comprises compute trays with one or two compute boards, NVLink switch trays, an NVLink passive copper cable backplane, power shelves, a bus bar,



Liquid-Cooled Charging Cables: The Future of Fast,

Liquid-cooled charging cables revolutionize EV charging with 350kW+ ultra-fast speeds, 40% lighter weight, and extended durability.

[Contact Us](#)



MGX Accelerated Computing Rack and Trays Specification Revision

The system must meet all local laws and regulations for material content such as ROHS. Refer to the table below for approved wetted materials for the liquid cooling loop.

[Contact Us](#)



Nvidia offers 120kW liquid cooled Blackwell rack as

Nvidia is donating its 120kW, 1400A GB200 liquid cooled rack design to the Open Computer Project (OCP) for AI running on Blackwell GPUs.

[Contact Us](#)

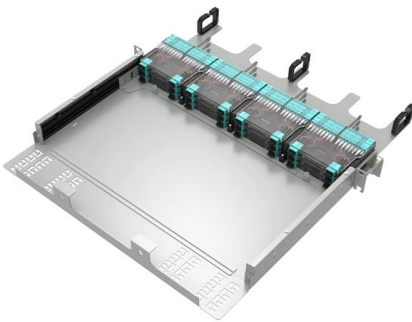
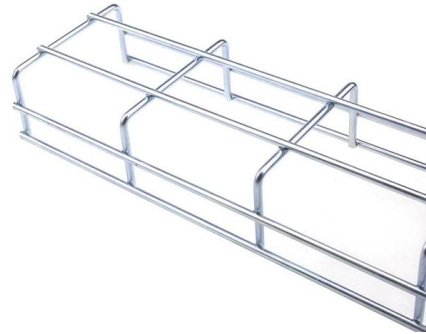




Vera Rubin hot water cooling reveal triggers HVAC

The Vera Rubin NVL72 rack will be 100 percent liquid cooled and feature cable-free modular tray designs. "Rubin arrives at exactly the right

[Contact Us](#)



NVIDIA Contributes NVIDIA GB200 NVL72 Designs to

During the 2024 OCP Global Summit, NVIDIA announced that it has contributed the NVIDIA GB200 NVL72 rack and compute and switch tray liquid

[Contact Us](#)

Supermicro NVIDIA GB200 NVL72 Datasheet

From proof-of-concept (PoC) to full-scale deployment, Supermicro is a one-stop shop, providing all necessary parts, Liquid-Cooling, networking solutions, management software, and onsite installation

[Contact Us](#)



ThermalWorks , Product , HAC

Designed for AI workloads, the system improves cooling effectiveness and saves energy by precisely containing hot air and minimizing mixing with cold air. The HAC offers compatibility when upgrading

[Contact Us](#)



Liquid Cooling Systems , Reliable Quick Disconnects

Discover efficient liquid cooling systems and reliable quick disconnect connectors for data centers, EVs, and ESS applications.

[Contact Us](#)



The NVIDIA GB300 NVLink Liquid-Cooled Switch

NVIDIA GB300 NVLink Switch Tray 1 An especially ingenious aspect of the design lies in the fact that, although the

[Contact Us](#)



Cabling best practices with immersion cooling

Otherwise, it's best to use cables with synthetic rubber cladding, which the liquid coolant does not affect. Some immersion cooling manufacturers

[Contact Us](#)



Huber+Suhner presents liquid-cooled charging cable for

The Swiss cable specialist announces an expansion of its High Power Charging portfolio to include its own solution for Tesla's North American Charging

[Contact Us](#)





QCT QOOLRACK STAND-ALONE: Advanced Liquid

Designed for large-scale AI and HPC workloads, this liquid-cooled server rack has 72 NVIDIA Blackwell GPUs and 36 NVIDIA Grace(TM) CPUs to

[Contact Us](#)



Cable tray

So, whether specifying a major new project, or simply refurbishing existing facilities, choose ABB cable tray to deliver the most effective, reliable and long lasting

[Contact Us](#)

Data Centre Cable Trays: High-Density Cabling Guide

Learn about Data Centre Cable Trays for high-density cabling. Get a guide on design, materials, smart management, & future tech for data halls.

[Contact Us](#)



100kW+ Racks: Cabling and Liquid Cooling Design

As AI workloads push rack densities past 100 kW, data centers must master both structured cabling for data flow and liquid cooling for heat removal.

[Contact Us](#)

Shenzhen International Data Center Liquid



Cooling Industry Exhibition

Meet our team to discuss reliable fluid handling solutions for liquid-cooled data centers - including pipework, hose assemblies, connectors and system components designed for demanding thermal

[Contact Us](#)



Pegatron NVIDIA GB300 NVL72 and More at NVIDIA

At the bottom, we have the Pegatron SVR CDU that circulates fluid through the rack. The GB300 NVL72 racks are liquid cooled with a busbar for

[Contact Us](#)



Cable trays and pipe support

Discover Linum Europe's comprehensive range of cable trays and conduit supports, specially designed for neat and professional cable management in HVAC installations.

[Contact Us](#)



, I2r POWER

View our whitepaper on Adding Life to Water-Cooled Power Cables through Innovation in Core Construction. Learn more!

[Contact Us](#)





NVIDIA GB300 NVLink Switch Tray at NVIDIA GTC 2025

You can see the handles at the front and then the liquid cooling nozzles at the rear, busbar power, and the connectors for the four NVLink cable

[Contact Us](#)



Metal cable tray systems Belgium

All Companies and suppliers for metal-cable-tray-systems Find wholesalers and contact them directly Leading B2B marketplace Find companies now!

[Contact Us](#)

Liquid-Cooled EV Chargers , Ultra-Fast 240kW DC

Teison's liquid-cooled EV chargers utilize advanced cooling technology to efficiently manage heat during high-speed charging. With power outputs ranging from 60kW

[Contact Us](#)



100kW+ Racks: Cabling and Liquid Cooling Design

Blog / Data Center Infrastructure Structured Cabling vs. Liquid-Cooled Conduits: Designing for 100 kW-Plus Racks As AI workloads push rack densities

[Contact Us](#)



Liquid Cooling Leakage Detection Sensor Cable

Liquid Cooling Leakage Detection Cable FCI Basics offers reliable, cost-effective sensor cable solutions to detect cooling liquid leakage for

[Contact Us](#)



Contact Us

For datasheets, pricing, or custom fiber access solutions, please visit:
<https://frindel.es>