

Lifespan of Relay Protection Power Supply Board





Lifespan of Relay Protection Power Supply Board

Life expectancy Characteristics of Digital Relay Protection Devices



In order to analyze the characteristics of the life expectancy of the conditionally repairable system, this paper describes the differences among repairable systems, unrepairable systems and conditional

[Contact Us](#)

Life cycle management

Well maintained protection relays will serve their purpose - to protect both human lives and equipment as well as maximize the reliability of power supply -

[Contact Us](#)



Protection Of Industrial Power Supply Systems (Fuses,

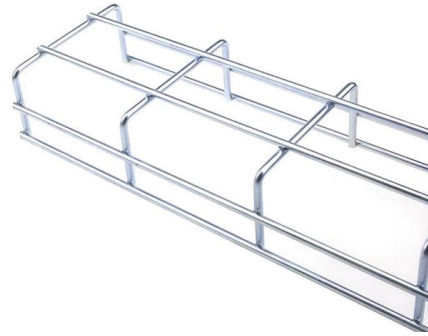
Examples Of Power Supply Protection As industrial operations processes and plants have become more complex and extensive, the

[Contact Us](#)



The Useful Life of Microprocessor-Based Relays: A Data-Driven

One utility reported that they attempted to quantify the useful life of several relay technologies and fit a failure curve based on observed data with protective relays divided into three categories:



The Useful Life of Microprocessor-Based Relays: A Data-Driven

What is the useful life of a microprocessor-based protective relay? What replacement strategy should be adopted?

[Contact Us](#)



How Long Do Relays Last? Signs of Failure & Lifespan

How long do relays truly last? Learn the critical factors--load, heat, and relay type (EMR vs. SSR)--that define durability and recognize key failure signs.

[Contact Us](#)



How Long Do Relays Last? , See Lifespan & Tips

What Determines the Lifespan of a Relay? Several factors determine how long a relay will last. These include the type of relay, the electrical and mechanical loads it handles, the operating environment,

[Contact Us](#)





PowerPoint Presentation

The main purpose of protection and control relay is to protect both human lives and equipment as well as ensure uninterrupted power supply. Safety

[Contact Us](#)



7302.dvi

Unlike the relay of protection, microprocessor-based recorders are not capable of affecting the reliability of power supply and initiating collapses in a network at failures.

[Contact Us](#)



Protective relays design life expectancy

Those electromechanical protection relays are widely known for having excellent reliability even after more than 30 years of service .

[Contact Us](#)



Introduction to Protective Relaying , Electric Power

Introduction to Protective Relaying What are Protective Relays, or Protection Relays? Protective relays are used in industrial power generation and supply

[Contact Us](#)



Protective relays design life expectancy

Download scientific diagram , Protective relays design life expectancy from publication: Reliability of microprocessor-based protective devices - revisited ,

[Contact Us](#)



59886917en Relays

Relay manufacturers specify how long their relays will last, but the expected lifetime will vary depending on the loads they are subjected to. For resistive loads, manufacturers' specifications are typically

[Contact Us](#)

The Role of Protection Relays in Power Systems and an

Protective relays are critical in power systems because they serve as decision-making devices that ensure the safe operation of power grid. They play a key role in power system protection.

[Contact Us](#)



Life expectancy Characteristics of Digital Relay Protection Devices

Digital relay protection devices are essential for maintaining the safety and stable operation of power grid. The assessment of reliability and operational lifespan is crucial for digital relay protection

[Contact Us](#)



Multilin Protection Relay Maintenance Guide

Multilin protection relay Maintenance Guide - Free download as PDF File (.pdf), Text File (.txt) or read online for free. guide for protection relay maintenance

[Contact Us](#)



MTBF: The Life Expectancy of Solid State Relays & Power Controllers

However, even with a variable MTBF, the life expectancy of a solid state relay will almost always significantly exceed that of an electromechanical relay. For example, the estimated lifespan of an

[Contact Us](#)

What Is the Lifetime of a Relay? , Factors & Tips Explained

Key Takeaway The lifetime of a relay is measured in the number of operations it can perform. General purpose and power relays typically have an electrical life expectancy of at least 100,000 operations.



[Contact Us](#)

LoRawan outdoor base station

- * Industrial Internet gateway
- * Compatible with LoRaWAN network,
- * ClassA/B/C mode
- * Support 8/16 channel
- * Supports PoE power
- * supply and backup battery power supply
- * 10KV lightning protection



What Is the Lifetime of a Relay, Factors Affecting Lifespan

Learn what the lifetime of a relay is, factors affecting its lifespan, average durations for types, environmental impacts, and maintenance tips.

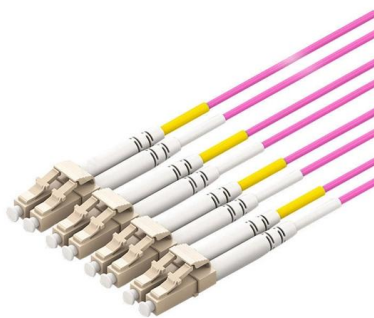
[Contact Us](#)



What are the product life, recommended maintenance

Answer As the durability (life) of the product varies greatly depending on the operating conditions and environment, the recommended maintenance

[Contact Us](#)



Failure causes and solutions of relay protection

This paper studies the failure causes of relay protection switching power supply, and concludes that electrolytic capacitor is the key component

[Contact Us](#)

Relay Lifespan: How Daily Operations and Maintenance

In this article, we'll walk through the factors that influence relay lifespan, how different relay applications affect performance, and what you can do

[Contact Us](#)



How Long Do Relays Last? , Lifespan & Extended Relay Life

The lifespan of relays can vary widely depending on their type and usage. Typically, the electrical life expectancy of general-purpose and power relays is rated at a minimum of 100,000 operations.

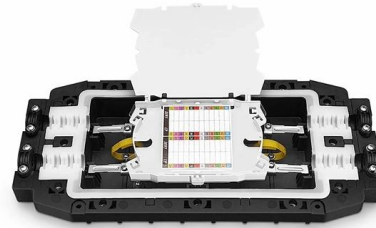
[Contact Us](#)



Relay Aging Curve Maintenance Guide: Ensuring Electrical System

A relay aging curve is a graphical representation that illustrates the deterioration pattern of electrical relays over time. This curve helps engineers predict the lifespan and performance of relays,

[Contact Us](#)



Life cycle management

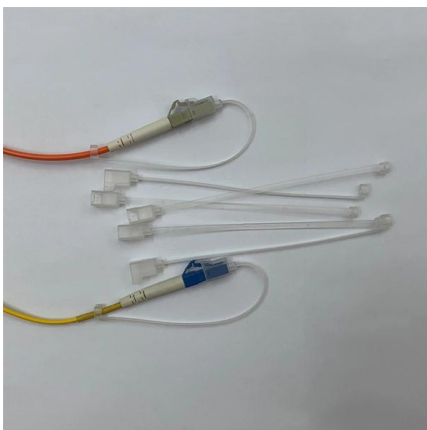
There are over 1.5 million ABB distribution protection relays of different ages in use in utilities and industries all over the world. ABB ensures full product support for the

[Contact Us](#)

home automation

I am developing a home automation project in which I'm using relays to control appliances. I need to control devices with 220V and 6A rating. Should I use relays to control these

[Contact Us](#)



PowerPoint Presentation

It is ABB's goal to protect our customers' investment beyond the life-cycles of the underlying platform products. 10 years from the start of the Classic stage, although exceptions to this may occur if

[Contact Us](#)



Long-Term Storage of Components, Subassemblies and Devices

Yet at the same time there is a desire for durable products and correspondingly robust security of supply that will last for years. This applies in particular to the replacement demand for subassemblies,

[Contact Us](#)



Contact Us

For datasheets, pricing, or custom fiber access solutions, please visit:
<https://frindel.es>