

Leap Forward Internet New Energy

**Integrated Aluminum Alloy
Die Casting**



Durable and Secure Metal Screws





Leap Forward Internet New Energy



Leap Brings New Grid Revenue Pathways to

Managing over 300,000 energy sites and devices across U.S. energy markets, Leap empowers more than 90 technology partners and their customers

[Contact Us](#)

Leap : Secures \$33.5 Million to Scale Its Next-Gen Energy Market

Park West Asset Management leads the investment in Leap's next-generation approach to grid services Leap, the leading energy market access provider, today announced that it has secured a new capital

[Contact Us](#)



5 Top Internet of Energy Startups Impacting the Industry

We analyzed 77 Internet of Energy startups impacting the industry. 2GG, Leap, Bandora Systems, Covert Science, and RESYNC develop 5 top solutions.

[Contact Us](#)

Japan Energy Fund invests in Leap

By making it easy for new distributed resources to participate in energy markets, Leap lays the groundwork for virtual power plants (VPP). Leap empowers its partners to provide resilient, zero

[Contact Us](#)



Press Release: Leap's Virtual Power Plant Network

Virtual power plants are a critical solution to maintain reliability, keep energy affordable, and reduce reliance on fossil fuel generation. Leap's latest analysis shows that VPPs are already

[Contact Us](#)

Leap Unveils New Platform Capabilities to Scale Virtual Power Plants

Leap, the leading virtual power plant (VPP) platform, announced today the launch of new product functionalities to unlock additional value for distributed energy resource (DER) technology

[Contact Us](#)



Zero Point Energy's Quantum Leap: How Andrea Rossi's E-Cat NGU

However, the E-Cat demonstrates excess energy production that cannot be explained by chemical reactions alone. Zero-Point Energy (ZPE) Zero Point Energy represents one of the most

[Contact Us](#)



A new wave of digitally optimised energy

Get your copy of the two latest articles of LEAP's quarterly digital magazine - LEAP Forward ? Read the article on The New Internet, that explores

[Contact Us](#)



To Fight Climate Change, PPAs Need to LEAP(TM) Forward

Today, LevelTen Energy announced LEAP(TM), a new technology-enabled way for renewable energy buyers and developers to secure power purchase agreements (PPAs) that is 80%

[Contact Us](#)

Government publishes Large Energy User Action Plan (LEAP), laying

The Minister for Enterprise, Tourism and Employment, Peter Burke, and Minister for Climate, Energy and the Environment, Darragh O'Brien, have published a Large Energy User Action

[Contact Us](#)



Research on Key Challenges and Technologies Ahead for Energy Internet

At present, net-zero carbon emission has become a global goal, which accelerates the energy transition to use more clean electricity generated by variable renewable energy (VER). Energy Internet is

[Contact Us](#)



Leap , World Economic Forum

By aggregating flexible loads from an array of distributed energy resources, Leap allows grid operators to use zero-carbon virtual power plants to balance the grid. Collectively, Leap's diverse partner

[Contact Us](#)



Leap Brings New Grid Revenue Pathways to

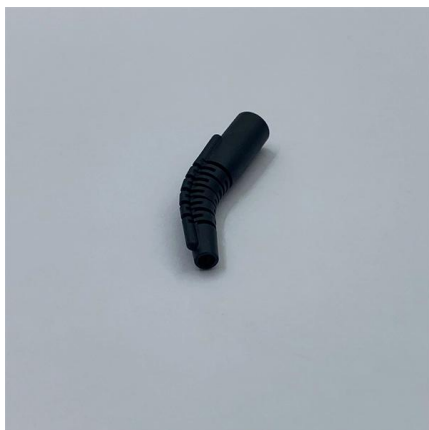
SAN FRANCISCO, September 3, 2025 -- Leap, the leading platform for building and scaling virtual power plants (VPPs), today announced an expansion of its

[Contact Us](#)

Leap Grows Energy Storage Vertical with New and Expanded

Leap announces significant growth in its energy storage vertical through new and expanded partnerships with battery storage technology providers.

[Contact Us](#)



Press Release: Leap's Virtual Power Plant Network

Managing over 400,000 energy sites and devices across U.S. energy markets, Leap empowers more than 100 technology partners and their customers to unlock new value and help

[Contact Us](#)

Lower Energy Acceleration Program



The potential for ever smaller, faster and more energy-efficient electronics is showing its limits and new breakthroughs are needed. To reduce carbon emissions in the coming years, greater development

[Contact Us](#)



LEAP Appliances & Energy Efficient White Goods , LEAP

Explore LEAP's range of energy-efficient appliances and white goods for eligible households. Reduce energy use and improve home comfort with expert support.

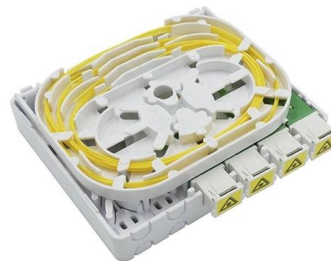
[Contact Us](#)



Leap Joins Virtual Power Plant Partnership to

SAN FRANCISCO, April 13, 2023 - Leap, the leading platform for energy market access, today announced that it has joined the Virtual Power Plant Partnership

[Contact Us](#)



Leap secures EUR7.4 million to expand its energy marketplace

Leap, provider of a universal distributed energy marketplace, today announced a new capital raise totaling EUR7.4 million from a combination of equity and debt. The Series A funding round

[Contact Us](#)





Leap and NRG Energy Partner on Next-Gen Grid

Energy market access provider Leap and retail electric provider NRG Energy announce partnership to deploy real-time grid services program in Texas.

[Contact Us](#)



Energy LEAP News

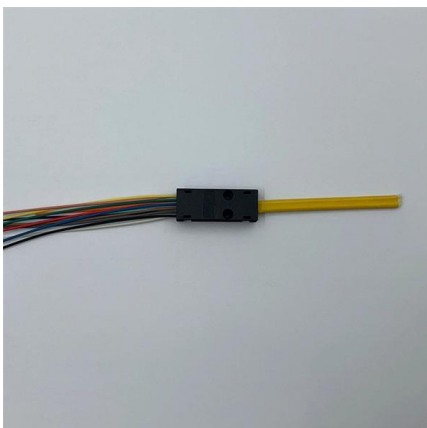
Reflections I was delighted to join the annual Energy Leadership in Energy Automated Processing (LEAP) Forum in Geneva in September, hosted by

[Contact Us](#)

Leap Surpasses 175,000 Meters and 1 GW on Virtual

Leap is the leading platform for generating new value from distributed energy resources (DERs) through integration with energy markets.

[Contact Us](#)



Virtual Power Plants: The Energy Transition in Action

The question sometimes comes up at Leap: How much of an impact are we making? Is the demand flexibility platform we're building really driving forward our mission

[Contact Us](#)



Leap taps California's 'abundance' of

A company that pairs available energy capacity with the needs of electric utilities is preparing to put 288MW of flexible power onto the California grid in time for the summer peak in

[Contact Us](#)



A new wave of digitally optimised energy

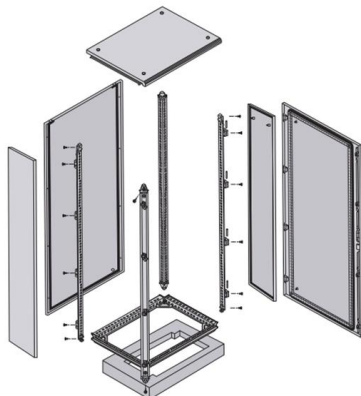
Read the blog: The decarbonisation of energy in Saudi Arabia Before you stop reading ? Get your copy of the two latest articles of LEAP's quarterly

[Contact Us](#)

Lower Energy Acceleration Program

"LEAP acts as a point of intersection between digitalisation, energy and use of space." Technology & circularity Energy efficiency and sustainable technology developments must keep pace with market

[Contact Us](#)



Leap Joins Virtual Power Plant Partnership to Accelerate the Energy

Leap enables its partners and their customers to unlock new value streams and help create a more flexible, resilient grid powered by renewable resources.

[Contact Us](#)

Press Release: Leap Secures \$33.5 Million



to Scale its

SAN FRANCISCO, October 13, 2021 -- Leap, the leading energy market access provider, today announced that it has secured a new capital raise totaling \$33.5

[Contact Us](#)



Contact Us

For datasheets, pricing, or custom fiber access solutions, please visit:
<https://frindel.es>