

Italian Certified QSFP-DD Optical Module QSFP





Italian Certified QSFP-DD Optical Module QSFP

QSFP-DD DCO 400G DWDM Tunable Coherent ITU CH13-CH61



The 400G QSFP-DD ZR+ is a C-Band optical frequency tunable coherent optical module, that combines 7nm coherent DSP ASIC functionality with best-in-class ultra-narrow line-width tunable lasers, high

[Contact Us](#)

Optical Transceiver: SFP vs SFP+ vs QSFP28 vs QSFP-DD

This article provides a comprehensive comparison of mainstream optical transceivers, including SFP, SFP+, QSFP+, QSFP28, and QSFP-DD. It explains their technical differences,



[Contact Us](#)

Panoramica del modulo ottico QSFP-DD: qual è la differenza?

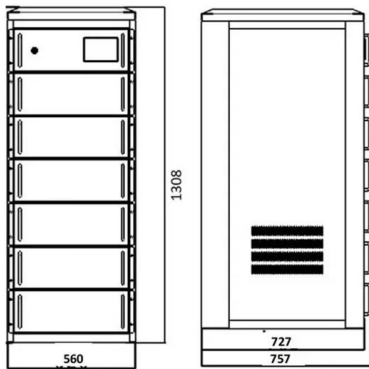
In questo articolo verrà presentata in dettaglio la nuova generazione di moduli ottici, QSFP-DD, noti anche come quad small factor pluggable; verrà inoltre illustrata la differenza tra i



[Contact Us](#)

Common 400G QSFP-DD Transceiver Types in the Market

400G QSFP-DD optical module is a high-speed hot-pluggable transceiver. Here it will help you learn what 400G QSFP-DD optical modules exactly are, and the



Cisco 400G QSFP-DD High-Power (Bright) Optical

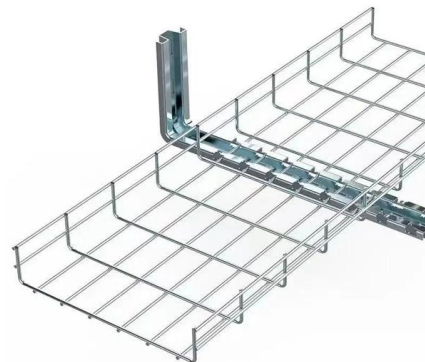
Learn how Cisco 400G QSFP-DD High-Power (Bright) Optical module's small size and low power make it an optimal choice for a wide range of

[Contact Us](#)

Cisco 400G QSFP-DD High-Power (Bright) Optical Module

Cisco 400G QSFP-DD High-Power (Bright) Optical module's small size and low power make it an optimal choice for a wide range of DCI/Cloud, metro access/aggregation, wireless backhaul, and

[Contact Us](#)



400G Optical Transceivers: What's the Difference Between OSFP and QSFP-DD?

Application Scenarios: Both QSFP-DD and OSFP are suitable for data center interconnect (DCI) scenarios, including direct attach copper cables (DAC), active optical cables (AOC), and fiber optic

[Contact Us](#)





100G QSFP-DD DCO : Optical Transceiver Module , NEC

The NEC's 100G QSFP-DD DCO optical transceiver is an optical transceiver that utilizes coherent technology. QSFP-DD has backward compatibility with existing

[Contact Us](#)



400G QSFP-DD PSM8 10km Optical Transceiver

The optical interface uses a MPO16/MTP16 APC connector . The Common Management Interface Specification (CMIS) for QSFP DD modules, This module incorporates Gigalight Technologies

[Contact Us](#)



Cisco 400G QSFP-DD Ultra Long Haul Coherent Optics

The high performance and low power of the 400G QSFP-DD ULH

[Contact Us](#)



Comprehensive Guide to 400G/800G QSFP-DD Optical

From a technological perspective, both 400G and 800G QSFP-DD modules benefit from significant advancements. Silicon photonics has played a

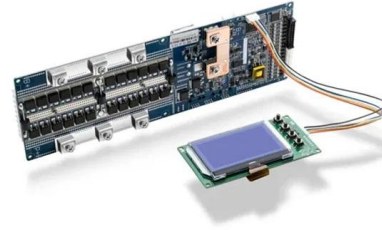
[Contact Us](#)



Understanding the QSFP-DD Standard: The Foundation of 400G Optical

The QSFP-DD standard represents the pinnacle of optical interconnect evolution -- enabling unprecedented bandwidth density, efficiency, and scalability for modern data centers.

[Contact Us](#)



QSFP-DD TRANSCEIVERS for 400G and 800G

Smartoptics QSFP-DD transceivers provide cost-efficient 400G and 800G optical networking. QSFP-DD (Quad Small Form-Factor Pluggable Double Density)

[Contact Us](#)

400G QSFP-DD 4x100G PLR4 10km Module

400G QSFP-DD 4x100G PLR4 transceiver supports 400G Ethernet and Data Center Intraconnection, with a range of up to 10km over single-mode fiber with FEC.

[Contact Us](#)



MikroTik 400G QSFP-DD Optical Module - High Speed

Detailed description High-Speed Optical Connectivity The MikroTik 400G QSFP-DD Optical Module is a professional-grade solution designed to deliver ultra-fast and

[Contact Us](#)



200G Optical Transceivers: Deep Dive into QSFP56 vs QSFP-DD

Compare 200G QSFP56 and QSFP-DD optical modules, covering form factors, modulation, architecture, and compatibility for data centers and 400G network upgrades.

[Contact Us](#)



QSFP-DD 400G SR4 Optical Module: The New Choice

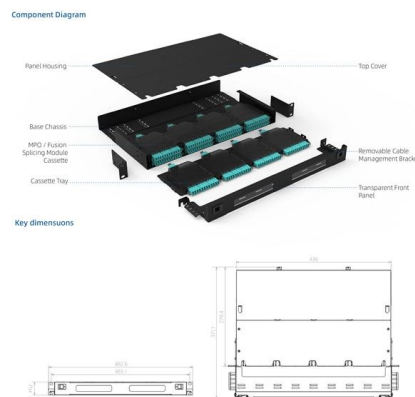
In an era where technology is advancing at an unprecedented pace, the demand for high-speed, reliable network connectivity has never been greater.

[Contact Us](#)

QSFP-DD Transceiver Guide 2026: Complete 400G/800G Deployment

Master QSFP-DD transceiver deployment for 400G/800G networks. Compare module types (SR8/DR4/FR4/LR4), cable options, pricing, and implementation best practices.

[Contact Us](#)



The Big Differences Between SFP, SFP+, SFP28,

Delve deep into the world of optical modules. From SFP to the latest QSFP-DD, explore their differences, applications, and what to consider for your

[Contact Us](#)



QSFP-DD Optical Module Wiki

QSFP-DD (Quad Small Form Factor Pluggable-Double Density) is a new modular connector system that utilizes a dual-density, four-channel, small, hot-swappable optical module

[Contact Us](#)



Cisco 400G QSFP-DD: Understanding Optical

Discover the Cisco 400G QSFP-DD optical transceiver modules, designed for high bandwidth in data centers, ensuring backward compatibility with

[Contact Us](#)



NeoPhotonics brings QSFP-DD, OSFP 400ZR modules

NeoPhotonics has announced that its QSFP-DD and OSFP 400ZR pluggable modules are generally available and are shipping to customers. These

[Contact Us](#)



PRODUCTION NAME	Frequency conversion control cabinet
POTENTIAL DEGREE	IP55
VOLTAGE	220/380V
SIZE	customized as required
MOUNTING WAY	Floor-standing
APPLICATION	Indoor and outdoor



Differences Between QSFP-DD and QSFP+ / QSFP28 /

As a leading solution in high-speed applications, QSFP-DD transceivers are often compared with other modules such as QSFP56, QSFP112,

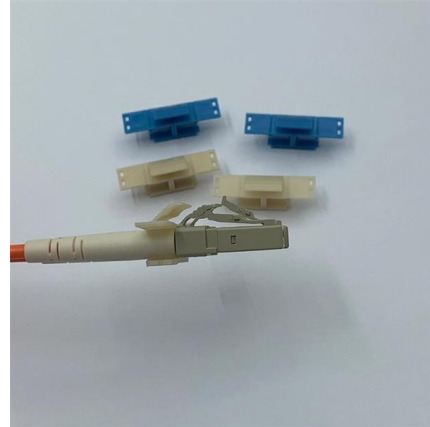
[Contact Us](#)



Understanding QSFP-DD 400G Optical Transceivers:

Buy 400G QSFP-DD modules for Ethernet, data centers, and cloud networks at FS. Get help with selection and comprehensive warranty services.

[Contact Us](#)



QSFP DD Guide: High-Speed QSFP DD Optical Modules

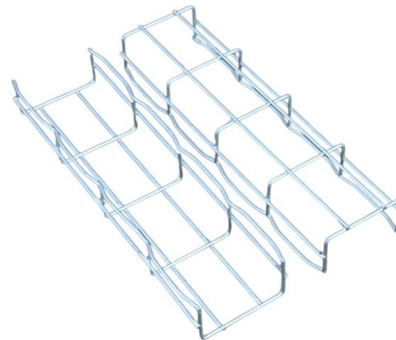
In this comprehensive guide, we will explore how QSFP DD works, why it has become a preferred optical module standard, and how it is deployed in modern data centers.

[Contact Us](#)

Understanding the QSFP-DD Standard: The Foundation of 400G

QSFP-DD (Quad Small Form Factor Pluggable Double Density) is an evolution of the QSFP family, extending its lane capacity from 4 to 8 high-speed electrical lanes. Each lane supports

[Contact Us](#)



Contact Us

For datasheets, pricing, or custom fiber access solutions, please visit:
<https://frindel.es>