

Is it safe to use cable trays for laying cables





Overview

A cable tray is a structural system used to organize and protect electrical cables in industrial, commercial, and residential setups. The most common hazards include: ☐☐ If ignored, these risks can lead to equipment failure, fire, or even fatal accidents Working with cable trays is not just a routine installation job. However, mistakes during installation could be the reason for expensive repairs and compliance problems, as well as increase the risk of danger.



Is it safe to use cable trays for laying cables



Cable Tray Pictures, Images and Stock Photos

Search from 3,251 Cable Tray stock photos, pictures and royalty-free images from iStock. For the first time, get 1 free month of iStock exclusive photos, illustrations,

[Contact Us](#)

Industrial Cable Tray Manufacturer & Supplier in India

These cable trays have been designed to meet the stringent standards of diverse industrial, commercial, power generation, and infrastructure installations and

[Contact Us](#)



Equipped with a removable **Mounting Plate** inside the enclosure, enabling customized drilling and secure component mounting.

Armored Cable Guide: Types, Applications & Safety

Learn how armored cable enhances safety, durability, performance across industrial and power systems. Explore types, installation tips, applications.

[Contact Us](#)

Understanding Cable Tray Safety Hazards: A Detailed

Learn about common cable tray safety hazards and how to prevent risks such as cable damage, electrical short circuits, moisture intrusion, and more.



Our Range of Cable Trays and Accessories , Nordic Wire Tray

Cable trays has an overall mission: to organize cables. In order to successfully meet the market's demands, high requirements and adaptations to various industries, a broad and well-thought-out

[Contact Us](#)



5 Golden Rules for Safe & Compliant Cable Tray Installation

Ensure safety and compliance in your cable tray installation. Discover the 5 golden rules covering NEC standards, load capacity, grounding, and support spacing.

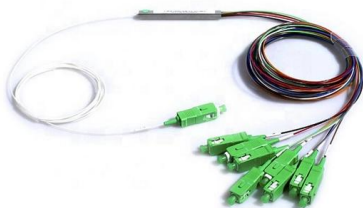
[Contact Us](#)



Ultimate Guide to Cable Tray Selection - Types,

Selecting the right cable tray is essential for safety, efficiency, and compliance with industry standards. This guide will help you choose the best

[Contact Us](#)

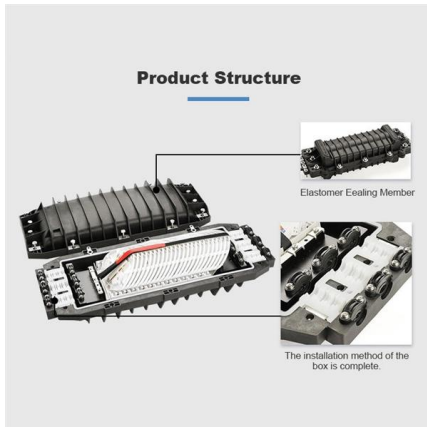




Fire Resistant FRP Cable Tray Aluminum Alloy Lightweight Cable Tray

We have developed and manufactured more than 10,000 models of products, including cable brackets, cable trays, embedded channels, embedded steel plates, FRC lightweight evacuation platforms,

[Contact Us](#)



Cable Trough , Safe & Secure Cable Protection

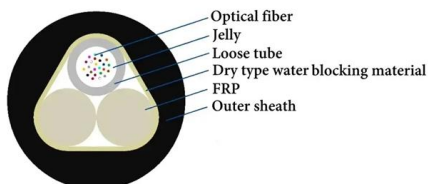
High stability concrete or composite cable trough systems for secure protection of cables and utilities within internal or external surfaces.

[Contact Us](#)

FRP Cable Tray: Benefits, Uses, and Buying Tips

Learn how to choose the right FRP cable tray for industrial projects, with tips on load, corrosion resistance, customization, and long-term value.

[Contact Us](#)



Best Practices for Installing Cables in Trays

Quick Installation Checklist (Key Steps) Cable tray cable installation generally follows these steps: Inspect cables before

[Contact Us](#)



Cable Pulling Cable Laying , Cable Rollers , Cable Drum

Thorne & Derrick International distribute the most extensive range of Cable Pulling & Cable Laying Equipment to enable the installation of low, medium and high

[Contact Us](#)



Cable Trays

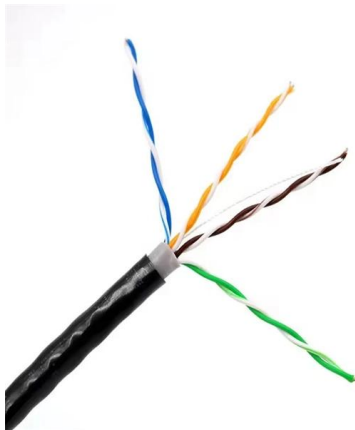
Cable Placement: Arrange cables in the tray to avoid overcrowding and ensure that power and communication cables are separated to prevent interference. Regular

[Contact Us](#)

China FRP Cable Tray Supplier, Manufacturer and

FRP cable tray have a wide range of applications, including but not limited to the following fields:
1. Industrial plant: Provide support and protection for cables of

[Contact Us](#)



Enhancing Workplace Safety with Cable Trays , Reducing Hazards

Workplace safety is of paramount importance, and when it comes to cable management, the proper use of cable trays can significantly contribute to creating a safe and accident-free

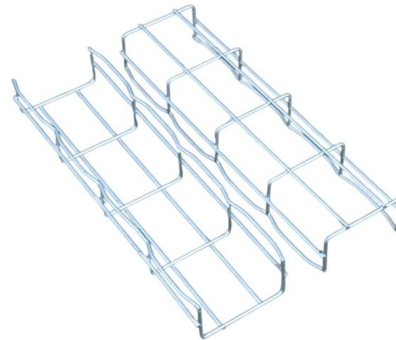
[Contact Us](#)



Fire Rated Cable Tray, Heavy-Duty Cable Tray Manufacturer

Enhance workplace safety, minimize downtime, and improve aesthetics with the well-designed Fire Rated Cable Tray from NewReach. Ask for a Quote!

[Contact Us](#)



All About Cable Trays And Their Importance For Safe

Cable trays are structural systems designed to support, protect, and organize cables and wires. They provide a safe pathway for electrical cables, minimizing the risks of damage,

[Contact Us](#)

Safety Issues for Cable Tray: Your Guide to Secure

Working with cable trays is not just a routine installation job. If a tray is overloaded, corroded, poorly supported, or contains live cables, it can create

[Contact Us](#)



Roof Solar Cable Tray Manufacturers - SENYENERGY

Solar Cable Tray is a specialized support system designed to safely route, organize, and protect electrical cables (DC strings, AC output, communications) on rooftops

[Contact Us](#)



Cable Tray Questions , Cable Tray Institute

Question 1: Can mechanical utility piping or tubing containing water or compressed air be installed in cable trays with electrical cables?
Answer: No. Cable trays are a support system for electrical cables,

[Contact Us](#)



Do You Really Need a Cable Tray? Here's How to Decide

Going beyond the recommended weight limits in electrical cable trays can create issues like structural failure and safety dangers. Properly laid

[Contact Us](#)

Wire Mesh Tray & Basket Cable Tray , EAE Electric

Ensure safe, organized, and efficient cable management with E-Line TLS Wire Mesh Cable Trays. Choose from stainless steel or electro-galvanized options--ideal for

[Contact Us](#)



Safely Installing, Maintaining and Inspecting Cable Trays

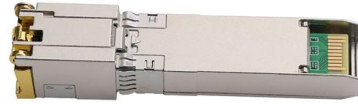
A generic guideline developed by the Cable Tray Institute indicates that cable trays should not be filled in excess of 40-50% of the inside area of the tray or of the tray's maximum weight based on the cable

[Contact Us](#)



Ladder Cable Tray Price Cable Ladder Product Level Bend Type of

Fully compliant with IEC, NEMA, and ISO standards, our trays guarantee structural integrity and safety. Choose our customizable, high-strength cable ladder system for a reliable, cost-effective solution that



[Contact Us](#)

Contact Us

For datasheets, pricing, or custom fiber access solutions, please visit:
<https://frindel.es>