

# Iraq exports 500kWh off-grid power system CIF price

## **LoRawan outdoor base station**

- \* Industrial Internet gateway
- \* Compatible with LoRaWAN network,
- \* ClassA/B/C mode
- \* Support 8/16 channel
- \* Supports PoE power
- \* supply and backup battery power supply
- \* 10KV lightning protection





## Overview

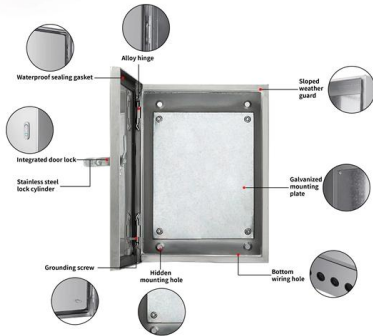
---

As of June 2014, Iraq spent about US\$27 billion between 2003 and 2012 to rehabilitate the power sector after decades of war and sanctions, but widespread corruption in the country has hindered development efforts and power outages continue. In 2005, it was estimated that US\$12 billion would be needed for near-term restoration, and it was estimated that US\$35 billion would be necessary to rebuild the system fully.



## Iraq exports 500kWh off-grid power system CIF price

---



### Country Analysis Brief: Iraq

Iraq significantly reduced the price of its crude oil loadings to Europe in 2022 to be able to compete with other Middle Eastern crude oil grades.<sup>83</sup> Although Iraq's crude oil exports to China and India

[Contact Us](#)

### Energy industry in Iraq

Hydropower is currently an energy source with the largest share in renewable power generation in Iraq, accounting for about 92% of renewable

[Contact Us](#)



### Solar Energy in Iraq: From Outset to Offs

5 At present, traditional fossil-based power plants in Iraq are heavily subsidized producing electricity at an annual generation cost of US\$ 10.5 billion in 2018 and expected to reach US\$22

[Contact Us](#)

### Iraq to complete Gulf power grid in 2025

Shafaq News/ Iraq's Gulf Power Grid Connection Project is expected to be completed by the end of 2025, enabling the country to access the Gulf

[Contact Us](#)



### Local Energy Systems in Iraq: Neighbourhood Diesel

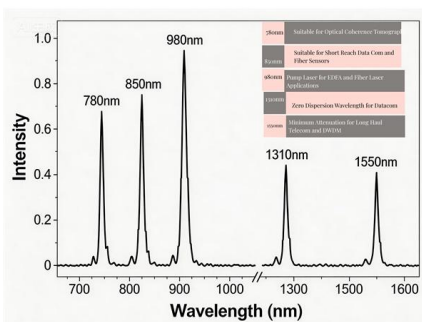
2. Electricity supplies in Iraq The Iraq public electricity system is divided into two networks, which have very limited interconnection. The smaller

[Contact Us](#)

### From diesel reliance to sustainable power in Iraq: Optimized hybrid

This study aims to address the gap in awareness regarding the limited availability of the national power grid and seeks to tackle the challenge of inadequate energy supply in both

[Contact Us](#)



### Energy Prices

The Energy Prices database provides end-user prices by sector (industry, household, transport, commercial, electricity generation) and 20 fuels and energy

[Contact Us](#)



## Energy Landscape in Iraq: Current Status, Research

Through this comprehensive approach, the paper provides an integrated overview of Iraq's energy sector, identifying current challenges,

[Contact Us](#)



## Techno-economic and environmental assessment of a hybrid

This study proposes an innovative hybrid renewable energy system composed of PV panels, biomass generators (BGs), electrolyzers, fuel cells (FCs), and a battery bank to meet both

[Contact Us](#)

## Country Analysis Brief: Iraq

95 FACTS Global Energy, Iran Alert, "Implications of the new Iran-Iraq barter agreement for Iran's gas and electricity exports to Iraq," July 26, 2023; Argus Media, "Iraq to swap HSFO, crude for Iranian

[Contact Us](#)



## Feasibility analysis of grid-connected and islanded operation of a

The combination of on-grid and off-grid modes in the one system is achieved using an on/off-grid inverter, which operates in grid-connected mode when the grid power is available and

[Contact Us](#)

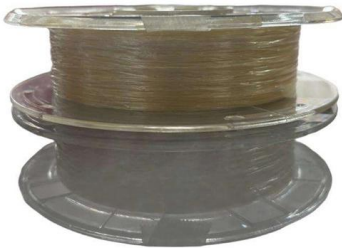
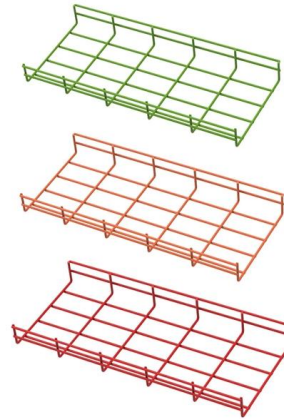


## Electricity sector in Iraq

Overview Iraq rebuilding projects History Generation Economics of the electricity sector in Iraq

As of June 2014, Iraq spent about US\$27 billion between 2003 and 2012 to rehabilitate the power sector after decades of war and sanctions, but widespread corruption in the country has hindered development efforts and power outages continue. In 2005, the World Bank estimated that US\$12 billion would be needed for near-term restoration, and the Ministry of Electricity estimated that US\$35 billion would be necessary to rebuild the system fully.

[Contact Us](#)



## Smart grid application in the Iraqi power system

However, to implement a smart grid into the Iraqi power system, various challenges should be faced, especially concerns related to understanding

[Contact Us](#)

## FORMAT INSTRUCTIONS FOR SOMChE 2004 PAPERS

Economic viability of captive off-grid solar photovoltaic and diesel hybrid energy systems for the Nigerian private sector. Renewable and Sustainable Energy Reviews, 114.

[Contact Us](#)



## Iraq's Electricity Shortage and the Paradox of Gas Flaring

Drawing on insights from a recent Middle East Energy Roundtable, the report offers realistic, actionable steps to improve grid stability.

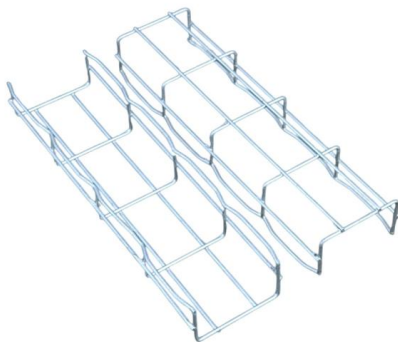


[Contact Us](#)

### Exploring Iraq's Renewable Energy Investment

Explore Iraq's renewable energy outlook, power infrastructure, solar potential, and how energy storage systems reduce costs in this investor-focused guide.

[Contact Us](#)



### Modelling and Performance Evaluation of the 400kV

A detailed study of the status of the electric energy system in Iraq has been introduced. In particular, this work is applied on Iraqi national power system

[Contact Us](#)

### Country Analysis Brief: Iraq

Hydropower and solar are combined, and hydropower accounts for the majority. Includes only Federal Iraq. Estimates not yet published by U.S. Energy Information Administration, International Energy

[Contact Us](#)





### **Iraq's Power Problem (Part 1): Persistent Financial and**

Indeed, Iraq's power sector has suffered heavy damage over the past few decades due to war and other factors. The supply-demand gap keeps

[Contact Us](#)



### **GCC and Iraq kickstart major 500 MW grid interconnection project**

The interconnection project, slated for completion by late 2024, marks the first-ever expansion beyond the electrical grid system of the GCC countries. The project will satisfy a

[Contact Us](#)



### **Iraq to complete Gulf power grid in 2025**

"Iraq will be integrated into this network through a transmission line connecting Kuwait's Al-Wafra station to the Al-Faw station in Basra," he stated.

[Contact Us](#)



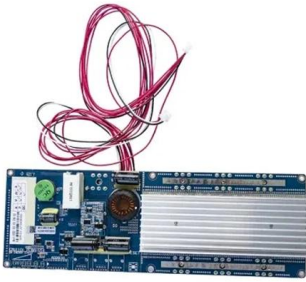
### **Iraq's Energy Sector: A Roadmap to a Brighter Future**

This has introduced a number of vulnerabilities to Iraq's energy system. For example, payment issues last summer led to Iran cutting exports, significantly exacerbating electricity

[Contact Us](#)



### **Iraq Emergency Energy Storage Power**



### Supply Price: Trends,

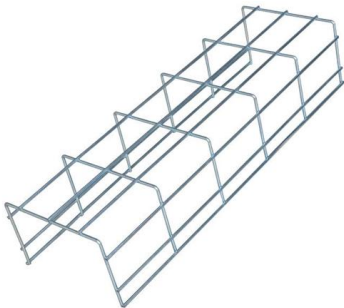
As Iraq grapples with 5GW+ electricity shortages during peak demand , emergency energy storage solutions have become the country's unofficial lifeline. Let's unpack the current Iraq

[Contact Us](#)

### Techno-economic study introduce an Off-Grid PV/Biomass System in Iraq

The renewable energy can be used specially to feed the loads in an isolated or remote area instead of the traditional energy production ways. Therefore, this work will be present techno-economic

[Contact Us](#)



### Iraq: Selected Issues; IMF Country Report No. 23/76; January 9, 2023

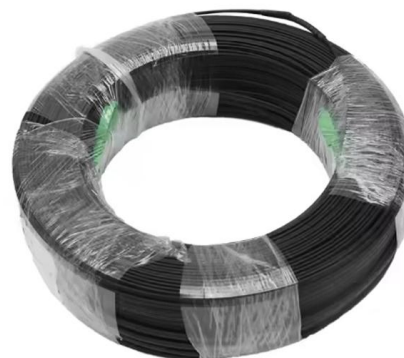
The MoO sells domestically produced natural gas, crude and fuel oil to the electricity sector at highly subsidized prices, which are fixed in Iraqi dinar regardless of movements in international energy

[Contact Us](#)

### Iraq Energy Market Report , Energy Market Research in

The Iraq energy market report provides expert analysis of the energy market situation in Iraq. The report includes energy updated data and graphs around all

[Contact Us](#)





## Contact Us

---

For datasheets, pricing, or custom fiber access solutions, please visit:  
<https://frindel.es>