

Iranian Smart Micro-module Factory





Iranian Smart Micro-module Factory



Iranian military factory hit by drone attack

A loud explosion struck a military industry factory near the central Iranian city of Isfahan overnight in what Tehran said on Sunday was a drone

[Contact Us](#)

Iran Smart Factory Market (2025-2031) , Value & Outlook Growth

6Wresearch actively monitors the Iran Smart Factory Market and publishes its comprehensive annual report, highlighting emerging trends, growth drivers, revenue analysis, and forecast outlook.

[Contact Us](#)



Technology roadmap for small modular reactor deployment

The term 'modular' is used in this publication to describe activities related to the design, construction and arrangement of power modules inside a power plant. In general, products designed and constructed

[Contact Us](#)

Iran Accelerates Development of Micro Technologies

With the growing need for smart and energy-efficient equipment, the importance of developing and indigenizing microelectronic technologies in



National smart metering program (Iran)

IEEO is responsible for the implementation and deployment of the smart metering project called FAHAM in Iran. The IEEO follows promoting energy efficiency and load management, improve system

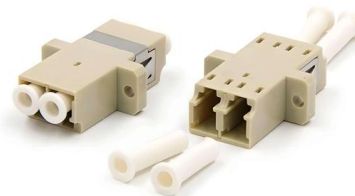
[Contact Us](#)



Turkey provides \$410 million for 2 GW solar module factory

Smart Solar Technology has secured Turkish government support to build a vertically integrated solar module factory in Izmir, Turkey.

[Contact Us](#)



Perplexity

Perplexity is a free AI-powered answer engine that provides accurate, trusted, and real-time answers to any question.

[Contact Us](#)





Nanomaterial advanced smart coatings: Emerging trends shaping the

Smart coatings allow real-time data analysis by integrating advanced sensor technology with intelligent algorithms. The field of smart coatings for SHM is experiencing a swift evolution

[Contact Us](#)



Iranian Scientists Develop Smart Coating to Reduce Aircraft Weight -

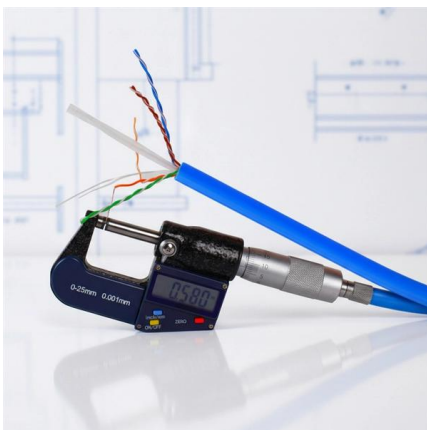
WANA (Mar 02) - Iranian researchers have successfully developed an innovative smart coating to protect magnesium alloys from corrosion, a breakthrough that can significantly reduce aircraft weight

[Contact Us](#)

Methodology and components of Iran smart grid

Figure 5 shows the stages of technology and business development road map of Iran smart grid. Figure 6 shows the fundamental components of Iran smart grid

[Contact Us](#)



Iran in the smart world

Iran is having an exemplary smart transformation. The government, cities, organizations, and companies are making a great effort for an advanced

[Contact Us](#)



Iranian Power Storage Modules: Key Applications and Market Trends

Discover how Iranian power storage modules are revolutionizing energy management across industries. This article explores their technological advancements, real-world applications, and growing demand

[Contact Us](#)



Iran roadmap for smart grid roll-out

Download scientific diagram , Iran roadmap for smart grid roll-out from publication: Iranian smart grid: road map and metering program , , ResearchGate, the

[Contact Us](#)

Iranian Scientists Produce Smart Nanocomposite Coating

TEHRAN (ANA)- Iranian researchers at Amirkabir University of Technology succeeded in designing smart nanocomposite coatings that increase

[Contact Us](#)



What is a microfactory? The future of manufacturing

A microfactory is a highly automated form of flexible production letting companies produce personalized and customized orders in a high mix and low volume.

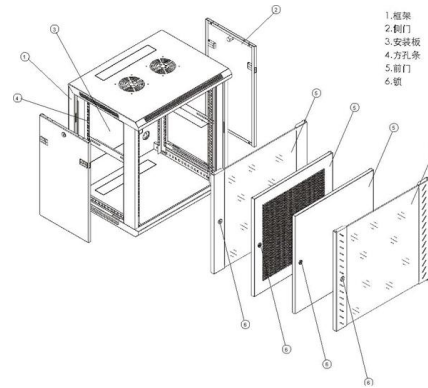
[Contact Us](#)



INTEROPERABILITY IN IRAN'S SMART METERING PROJECT

INTEROPERABILITY IN IRAN'S SMART METERING PROJECT In the second part of a three-part series, we examine the Iranian smart metering programme and the challenges of ensuring

[Contact Us](#)



Iran Power Market Size, Share & Industry Trends, 2030

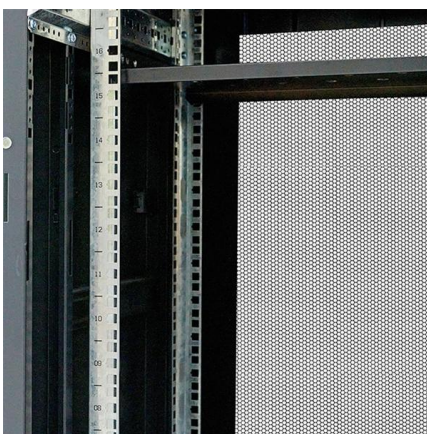
Iran Power Market Size & Share Analysis - Growth Trends and Forecast (2025 - 2030) The Iran Power Market Report is Segmented by Power

[Contact Us](#)

SMGRC UOK

The Smart/Micro Grids Research Center (SMGRC) provides a rich source of training, testing, and experimental Lab facilities for various smart grid and microgrid (MG) projects, specifically in the area

[Contact Us](#)



Methodology and components of Iran smart grid

This study aims to evaluate renewable-friendly smart grid technologies regarding distributed energy investment projects by using a hybrid picture fuzzy rough

[Contact Us](#)

Power Modules



Power Modules The awareness for efficient power electronic module integration is increasing dramatically. Smart control of energy-consuming applications and their

[Contact Us](#)



Science and technology in Iran

Omid satellite. Iran is the 9th country to put a domestically built satellite into orbit using its own launcher and the sixth to send animals in space. COVIran Barekat,

[Contact Us](#)

Iran Semiconductor Fabrication Plant Projects Database

Search all the latest and upcoming semiconductor FAB projects, bids, RFPs, ICBs, tenders, government contracts, and awards in Iran with our comprehensive online database.

[Contact Us](#)



Precision-guided munition

A precision-guided munition (PGM), also called a smart weapon, smart munition, or smart bomb, is a type of weapon system that integrates advanced guidance and

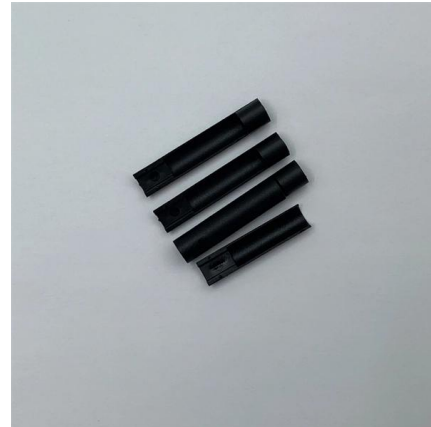
[Contact Us](#)



New i3 Micro Module , TDK Electronics

TDK designed the i3 Micro Module for truly "smart" sensor node edge implementation aimed at a wide variety of production equipment, empowering the

[Contact Us](#)



U.S. aircraft carrier in Iran war expected to leave Middle East with

As Iran chokes commercial shipping through the Strait of Hormuz, the U.S.-Israeli war with Iran is costing the European Union almost 500 million euros (\$600 million) every day, raising

[Contact Us](#)

Explainer: American Parts in Iranian Drones

The majority of components in Iran's drones--including microchips and GPS modules--were made in the United States, which is supporting Ukraine.

[Contact Us](#)



INTEROPERABILITY IN IRAN'S SMART METERING PROJECT

In the second part of a three-part series, we examine the Iranian smart metering programme and the challenges of ensuring interoperability across a variety of legacy systems.

[Contact Us](#)





Siemens home , Siemens

Siemens: A global technology leader driving innovation in industry, infrastructure and mobility through digital transformation.

[Contact Us](#)



Contact Us

For datasheets, pricing, or custom fiber access solutions, please visit:
<https://frindel.es>