

Introduction to Types and Materials of Cable Trays





Introduction to Types and Materials of Cable Trays



Cable Trays , How it works, Application & Advantages

Explore the world of cable trays, their types, materials, benefits, standards, and installation considerations for efficient cable management.

[Contact Us](#)

Types of Cable Trays & Installation Guide

Cable trays are crucial in cable management, providing organized electrical and communication wiring pathways. They are available in various materials and configurations to suit industrial, commercial,



[Contact Us](#)



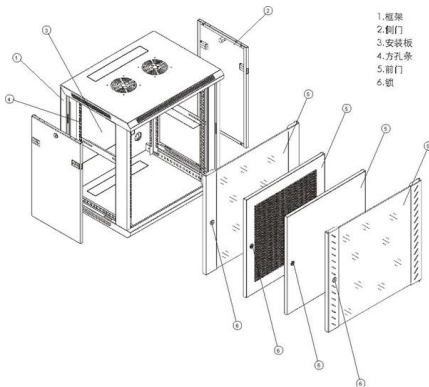
Types of Cable Trays: Ladder, Perforated, Basket, Solid

Explore all types of cable trays--ladder, perforated, basket, solid, and channel. Learn their uses, materials, pros, cons, and key differences.

[Contact Us](#)

Type of Cable Tray Introduction Cable Tray Materials Electrical

Cable trays have become a necessary part of industrial and commercial construction. Cable trays are capable of supporting all types of wiring: High Voltage Power Lines. Power Distribution Cables



Ultimate Guide to Cable Tray Selection - Types,

Learn how to choose the best cable tray system for your needs. Explore types, materials, installation tips, and NEC compliance in this expert guide.

[Contact Us](#)

Cable Tray Technical Guide A practical guide to product selection and

034 - 044 045 About this guide What is a cable tray ? Types of cable tray Material and finishes Cable tray installation National Electric Code and Canadian Electrical Code

[Contact Us](#)



Introduction and classification of cable trays

Introduction A cable tray (or simply a cable tray) is a rigid structural system that closely supports cables and consists of trough-, tray-, or stepped-type straight

[Contact Us](#)



What are Cable trays? Cable tray materials, Type of



What are cable trays? Cable trays are rigid structures used to support and raceways the cables. The National Electrical Code (NEC) specifies the cable

[Contact Us](#)



What Is a Cable Tray? Types, Materials, and Uses

A cable tray is a structured mechanical support system used in the electrical wiring of buildings and other structures to organize and secure insulated power, control, and communication

[Contact Us](#)

Complete Guide to Cable Tray Types: Materials, Configurations

Discover comprehensive information about what are the types of cable tray available, including materials, configurations, load capacities, and applications for optimal electrical infrastructure planning.

[Contact Us](#)



Guide to Cable Trays: Types, Benefits, and Uses Explained

Cable trays are a durable and organized solution for supporting and protecting cable networks in various installations playing a key role in renewable energy infrastructure and modern

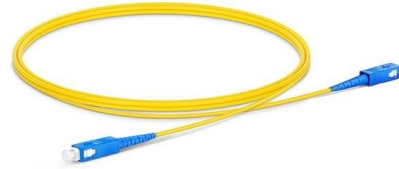
[Contact Us](#)



Type of Cable Tray: Materials and Types Guide

Learn about cable tray materials (aluminium, steel, stainless steel) and types (ladder, solid bottom, trough) for industrial/commercial use.

[Contact Us](#)



Cable Tray Types and Sizes

Types of Cable Trays and Sizes Explore various cable tray types and sizes for electrical installations. Learn about ladder, perforated, solid-bottom, wire mesh,

[Contact Us](#)

Types of Cable Trays - Purpose, Advantages,

Cable tray is alternatives to wire ways and electrical conduits, which completely enclose cables. Study types of cable trays, purpose, advantages.

[Contact Us](#)



Cable Tray Specification Guide , Types, Materials, Sizes

Cable Tray Specification Guide , Types, Materials, Sizes In the realm of infrastructure development, the efficient management of electrical conduits plays a pivotal role. This section delves into the

[Contact Us](#)



What Is A Cable Tray? 5 Types Of Cable Trays

This article will explore the different types of cable trays, the materials used, and their benefits in a wide range of applications. Understanding these elements is key to optimizing both the performance and

[Contact Us](#)



Everything You Need to Know About Cable Trays , Cable Trays

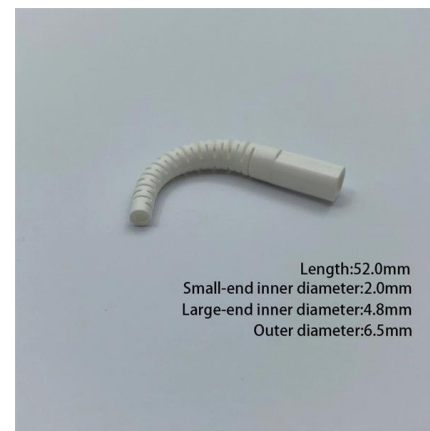
Cable trays are support systems designed to securely hold and protect various types of cables and wires. They come in various materials such as steel, aluminium, and fiberglass, each

[Contact Us](#)

Introduction: Cable Tray Materials

Cable Tray Materials: Most cable tray systems are fabricated from a corrosion-resistant metal (low-carbon steel, stainless steel or an aluminium alloy) or from a metal with a corrosion-resistant

[Contact Us](#)



Top 7 Types of Cable Trays and Their Applications

Discover the top 7 types of cable trays including Ladder, Perforated, and Wire Mesh. Learn their applications and benefits for efficient cable

[Contact Us](#)



Cable Trays: How to Choose the Right Type for Your

Conclusion Cable trays are an essential component of any cable management system, providing support, protection, and organization for cables.

[Contact Us](#)



Type of Cable Tray

Cable trays are capable of supporting all types of wiring: High Voltage Power Lines. Most cable tray systems are fabricated from a corrosion-resistant metal (low-carbon steel, stainless steel or an

[Contact Us](#)



Cable Trays Selection Guide: Types, Features,

Cable trays are components of support systems for power and communications cables and wires. A cable tray system supports and protects both power and

[Contact Us](#)



7 Types of Cable Trays: How to Choose the Right One

This article explains each major cable tray type, how it works, and when it should be used, so users can make informed, standards-based decisions.

[Contact Us](#)





Cable Trays and Their Uses: Definition, Types, and

Learn about cable trays for desks, accessories, and how they compare with raceways, conduits, and trunking for efficient cable management.

[Contact Us](#)



This study extensively examines the Germany Wire Mesh Cable Trays

The global "Germany Wire Mesh Cable Trays Market, Global Outlook and Forecast 2022-2028 Market" is expected to witness a compound annual growth rate (CAGR) of 12.4% between

[Contact Us](#)

Contact Us

For datasheets, pricing, or custom fiber access solutions, please visit:
<https://frindel.es>