

Intelligent ODM Optical Distribution Box





Intelligent ODM Optical Distribution Box



LW-ODB-2B Optical Distribution Box

Optical Distribution Box provides fiber optic cable management for the connection of distribution cables and drop cables at the user access point in fiber optic network.

[Contact Us](#)

Optical Distribution Module

Fiber optic networks are one of the most preferred technologies for high-speed and broadband data transmission today. However, proper management of these networks is critical, especially in large

[Contact Us](#)



ODM China Optical Fiber Distribution Box Supplier, Products

Henan Huamei Electric Technology Co., Ltd. proudly stands as a leading ODM supplier of optical fiber distribution boxes in China, dedicated to delivering high-quality solutions that meet the evolving

[Contact Us](#)

Optical Distribution Box: 8/16 Ports With Exceptional

BWN-ODN-8/16 Optical Distribution Box
Transform your outdoor fiber network deployment with BWNFiber's pre-connectorized IP68 Optical Distribution Box -



Fiber Distribution Boxes Factory

Fiber Distribution Boxes Factory Top Rated FTTH & OSP Manufacturer 15 Years of Experience in Fiber Optic Supplying Free Sample for Evaluation, Same Day

[Contact Us](#)



Optical Distribution Frames (ODF)

Explore optical distribution frames (ODF) with efficient distributed chassis solutions at CommScope

[Contact Us](#)



The Manufacturer of Outdoor Cabinet, Fiber Hub, ODC,

Our technical support and sales teams have over 15 years of experience in optical transmission and optical distribution. We have the capability for independent

[Contact Us](#)





Fiber Box Manufacturer & Supplier

Gcabling: preferred optical distribution box supplier Gcabling specializes in providing one-stop solutions for the last 1KM network cabling! Our company has a

[Contact Us](#)



Optical Distribution Module

Optical Distribution Modules offer a streamlined solution for managing fiber optic connections, ensuring organized and secure distribution. Ideal for data centers and telecom applications, these modules

[Contact Us](#)

Fiber Optic Distribution Boxes (FDB) & ODF Supplier

We offer a wide range of 1-24 core FDB boxes and ODF cabinets for indoor/outdoor FTTX deployment. Durable, IP65 rated, and easy to install. Browse our models

[Contact Us](#)



What Is an Optical Distribution Frame (ODF)?

Key points An optical distribution frame (ODF) is a central hub in fiber optic networks, crucial for managing and organizing fiber optic cables and connections. ODFs are

[Contact Us](#)



Wire/Cable Distribution & Management Product, Fiber

OTRANS manufactures cable distribution products for network wire management, includes optical fiber distribution frame, rack mount fiber optic patch panel, wall

[Contact Us](#)



Fibre Distribution Racks (ODF) , Fibre Distribution Boxes

Netceed offers a complete range of fibre distribution solutions, including fibre distribution boxes, optical distribution frames (ODF), and pre-terminated fibre

[Contact Us](#)

Oem Odm Smart Iot Box Operation Maintenance

Intelligent Smart Box IoT adopts a frame structure, providing

[Contact Us](#)



The Manufacturer of Outdoor Cabinet, Fiber Hub, ODC,

YOPTIC operates, as a basic factory and subcontractor, provides customers with various FTTX equipment, such as Fiber Distribution Cabinet (FDC), Fiber Splitter

[Contact Us](#)



Third-Generation Optical Distribution Networks Are

Using an optical monitoring system of some sort (based on reflections, introduced delay, or other), will allow an intelligent management system to

[Contact Us](#)



Optical Distribution Box ODB54

The Telegärtner ODB 54 wall distributor enables you to solve various installation demands with one product. Whether it will be used as splice storage or as distributor housing, there is enough space in

[Contact Us](#)



Teleweaver

Top Rated Fiber Termination Box Supplier Make clear your requirements for fiber termination boxes, Teleweaver can support you from both OEM and ODM service

[Contact Us](#)



The Pros and Cons of OEM/ODM Fiber Distribution Boxes

OEM/ODM fiber distribution box production refers to the process where manufacturers create and/or modify fiber distribution boxes according to the specific requirements of a customer.

[Contact Us](#)



The Pros and Cons of OEM/ODM Fiber



Distribution Boxes

By working with manufacturers, customers can customize the design, features, and functionality of fiber distribution boxes to meet their unique

[Contact Us](#)



Oem Odm Smart Iot Box Operation Maintenance

High quality Oem Odm Smart Iot Box Operation Maintenance Customized Fiber Optical Distribution Cabinet from China, China's leading IOT Equipments product

[Contact Us](#)



Fiber Distribution & Management Solutions OEM/ODM

Intelligent layout and flexible port configurations allow seamless integration into existing infrastructure, while ensuring optimal airflow, space utilization, and operational convenience. As a trusted

[Contact Us](#)



Everything You Need to Know About the ODF Optical

The Optical Distribution Frame (ODF) serves as the backbone of sophisticated telecommunication and data center ecosystems, aiding in efficient

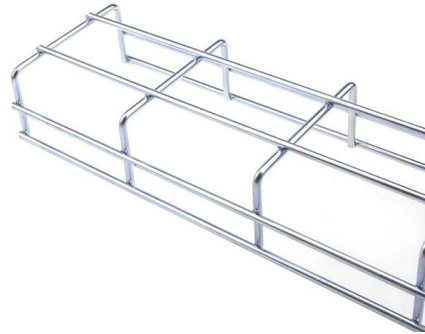
[Contact Us](#)



LW-ODB-2D Optical Distribution Box

Optical Distribution Point (ODP) or Optical Distribution Box 2 Cores LW-ODB-2D Description: Optical Distribution Box provides fiber optic cable management for

[Contact Us](#)



Contact Us

For datasheets, pricing, or custom fiber access solutions, please visit:
<https://frindel.es>