

Installation price of communication cable trays



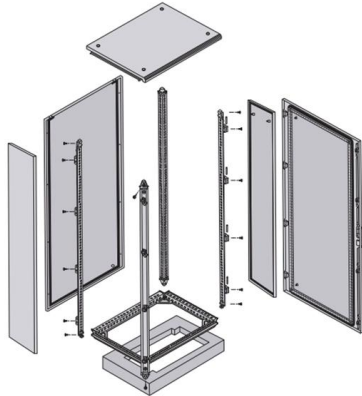


Overview

Basic cable tray systems cost \$3-15 per foot depending on type and material. Installation labor adds \$5-8 per foot to total project costs. Ladder trays typically cost 20-30% less than solid bottom systems. Bulk orders of 1000+ feet can reduce unit pricing by 15-25%. Regional variations. Steel is the most widely used cable tray material due to its balance of cost-effectiveness and strength. The main cost driver is the material used in manufacturing: □□ Galvanized steel is the most common.



Installation price of communication cable trays



Comprehensive Cable Tray Pricing Guide: Cost-Effective Solutions for

Explore competitive cable tray pricing options featuring durable materials, easy installation, and scalable solutions for efficient cable management in commercial and industrial applications.

[Contact Us](#)

Cable Tray Cost Comparison

Compare cable tray costs by type, material, and installation. Find the most cost-effective option for your project in this detailed buyer's guide.

[Contact Us](#)



Cable Trays Selection Guide: Types, Features,

Cable trays are components of support systems for power and communications cables and wires. A cable tray system supports and protects both power and

[Contact Us](#)

Cable Tray Types and Sizes

Explore various cable tray types and sizes for electrical installations. Learn about ladder, perforated, solid-bottom, wire mesh, and channel trays in this complete

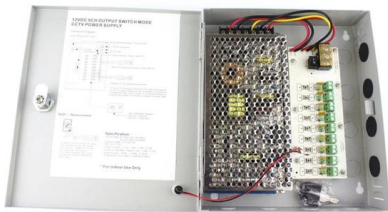
[Contact Us](#)



Cable Trays

Find here Cable Trays, Metal Cable Trays manufacturers, suppliers & exporters in India. Get contact details & address of companies manufacturing and

[Contact Us](#)



Cable Tray Price Per Meter: Market Analysis & Cost

Discover the key factors affecting cable tray price per meter, including materials, demand, and competition. Get cost insights and future pricing trends.

[Contact Us](#)



Types of Cable Trays - Advantages, Applications and Sizes

Explore the types of cable trays, their advantages, applications, and standard sizes. Learn how they improve cable management and support various industries.

[Contact Us](#)

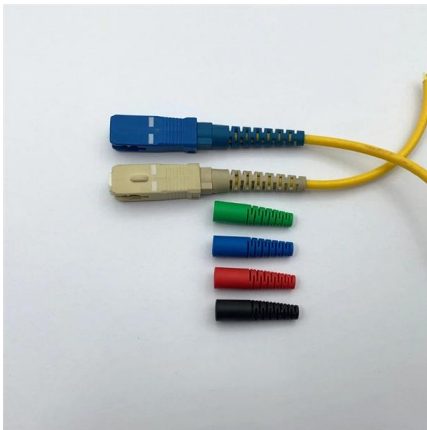




The Cost of Cable Trays vs. Other Cable Management

Discover the true value of cable trays compared to other cable management solutions. Learn about cost considerations, material options, installation,

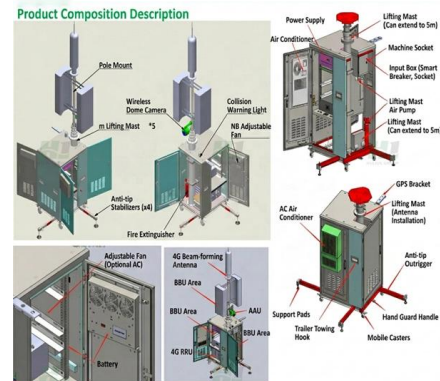
[Contact Us](#)



Cable Tray Price List Philippines Updated 2026

Cable tray prices fluctuate based on material composition and dimensions, with an average range from approximately PHP1,310.24 to PHP5,307.10.

[Contact Us](#)



Cable Tray and its types & Sizes

A cable tray is a type of containment used to support insulated electrical cables used for power distribution, control, and communication.

[Contact Us](#)



Cable Tray Guaranteed Best Construction Material

The table below shows the latest retail May 2024 prices of Cable Tray in Philippines Peso price per pieces including its size and specification.

[Contact Us](#)



Cable Management Trays

Our Cable Management trays are light in weight and are easy to maintain. They are a great trouble-free way to keep your cables organised. These easy to install cable trays disperse heat fast to help

[Contact Us](#)



Cable Tray Estimator

We offer complete kits to provide you with cable tray ready to install under new or existing raised floors based on the unique requirements at your facility.

[Contact Us](#)

Conduit vs Cable Tray Cost, Installation, Price & Electrical Cable

Conduits often cost more to install due to complex bending and securing requirements, while cable trays are usually quicker to install but might need stronger structural support.

[Contact Us](#)



The Cost of Cable Trays vs. Other Cable Management

This blog post dives deep into the cost considerations of cable trays compared to other commonly used methods, helping you make an informed decision for your

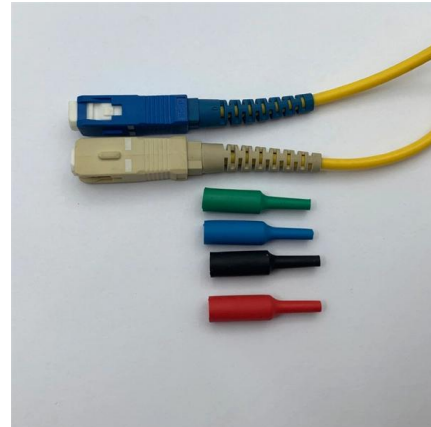
[Contact Us](#)

Suppliers Of Cable Trays & Baskets UK , All Cable Tray Sizes Available



A simple and cost effective support for communication, power and control cable distribution. Slots running down the length of the trays enable easy installation of cable ties.

[Contact Us](#)



Cable Tray And Fittings , Graybar Store

A cable tray system is used to support insulated electrical cables used for power distribution, control, and communication. Cable trays are used as an alternative to open wiring or electrical conduit

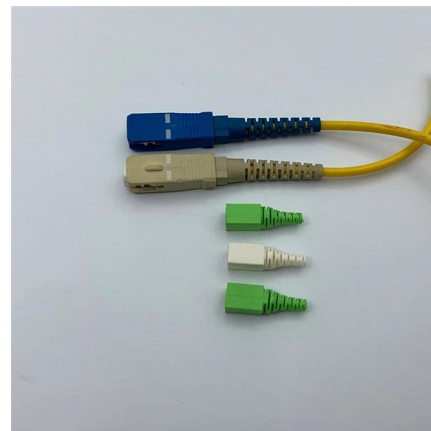
[Contact Us](#)



Cable Tray Installation

Cable tray installation is a great way to clean up network cabling routes. Organize and and future-proof your networks with a CORE cable tray installation.

[Contact Us](#)



How Much Do Cable Trays Cost? A 2026 Comparison

Discover the 2026 cost breakdown for cable trays compared to conduit and wire mesh. Compare material prices, labor savings, and performance

[Contact Us](#)





How to Get Quick and Accurate Cable Tray Pricing

Learn how to get quick and accurate cable tray pricing for your projects. This guide covers new builds, renovations, and custom systems.

[Contact Us](#)



Cable Tray Price List

Cable tray are used in wiring of buildings to support electrical cables and wires that are used to distribute power, controls and communication. The cable tray are for hot dip galvanized

[Contact Us](#)

Wireways and Cable Trays Price Guide, Industrial Installation Costs

When calculating how much do wireways and cable trays cost to install, factor these variables to avoid budget overruns and ensure accurate financial planning for your electrical

[Contact Us](#)



Cable Tray Installation Cost per Meter - Price Estimator

When evaluating the cable tray installation cost per meter, several critical factors need to be considered. These factors not only affect the initial

[Contact Us](#)



Contact Us

For datasheets, pricing, or custom fiber access solutions, please visit:
<https://frindel.es>