

# **Installation of cable trays above the server rack**





## Installation of cable trays above the server rack

---



### How To Wire a Server and Network Rack , Tips & Best

How do you figure out the right number of rack units for your network rack? Best practices for network rack and server rack cabling Labeling your

[Contact Us](#)

### Server Room Cable Tray Guide: Best Types, Sizing

Designing a server room? Learn how to choose the right cable tray, size it correctly, and avoid costly mistakes. Expert tips on airflow, layout, and

[Contact Us](#)



### Mastering Cable Tray Installation , Step-by-Step Guide for a Seamless

Mastering cable tray installation is crucial for creating a safe, organised, and efficient cable management system. By following this step-by-step guide, you can ensure a seamless setup that

[Contact Us](#)



### How To Wire a Server and Network Rack , Tips & Best

What we present here are suggestions and not rules, and there might be a strategy that works out better for your particular installation. Always have



### **Best practices for underfloor cable management**

Good cable organization ensures optimal performance and simplifies cable maintenance, reducing downtime. All cables should be supported in cable tray that is run overhead, above the equipment or

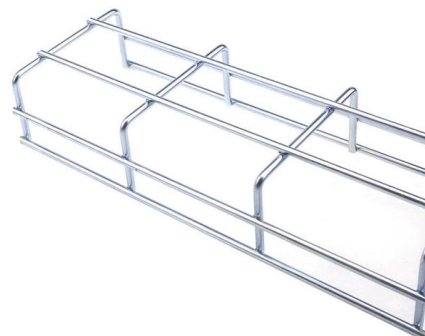
[Contact Us](#)



### **Server Rack Cable Management Examples**

Get your cables in order with the following server rack cable management examples. Learn how cable management can benefit you and your business today.

[Contact Us](#)



### **How to Improve Cable Management for Server Racks**

In this article, we will discuss several tips and strategies for improving cable management for server racks. We'll explore essential tools such as patch

[Contact Us](#)





## Cable Management for Server Racks - CableOrganizer

CABLE ENTRY: FROM ABOVE THROUGH TOP OF RACK Select enclosures that come standard with wide-open tops for large cable bundles. When adding a top

[Contact Us](#)



## Network Cable Management , Eaton

Eaton's modular ladder rack system is perfect for routing power cables and large cable bundles above rack enclosures. Use the sturdy ladder racks and elbow

[Contact Us](#)

## Network Cable Management , Eaton

Eaton's data center cable management solutions are sturdy and easy-to-assemble, perfect for routing network and power cables under floors and above server racks.

[Contact Us](#)



## Cable Tray Spacing Standards for Installation and Safety

Proper installation can significantly reduce electromagnetic interference, prevent fire hazards, and improve overall efficiency. This article

[Contact Us](#)



## Cable Pathways: A Data Center Design Guide and Best Practices

Pathways SCOTT VANDENBERG Pathways allow the placement of data center trunk cables and cross-connect cables Optical Cable Corp. between racks and cabinets. Both overhead and under floor

[Contact Us](#)



## Data Centre Cable Management Systems (CMS)

Enter Cable Management Systems (CMS) -- a crucial element in establishing order within a data center. CMS provides structured and organized

[Contact Us](#)



## Server Room Cable Tray Guide: Best Types, Sizing

In this guide, we will walk through how to select, design, and install cable trays specifically for server room environments, helping you avoid common

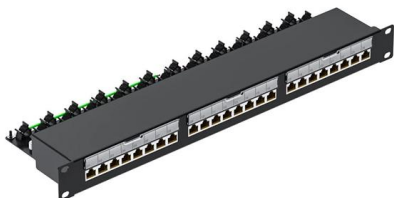
[Contact Us](#)



## Essential guide for Cable Tray Installation in Data Centres

Essential guide for Cable Tray Installation in Data Centres. Learn planning, materials, types, installation steps, safety, and maintenance for data halls.

[Contact Us](#)





## Server Rack Accessories

Shop overhead cable management solutions at Server Racks Online. Explore cable trays, ladder racks, and brackets for IT and data centers. Ensure efficient cable routing, support, and organization with

[Contact Us](#)



## 8 Best Under Desk Cable Management Solutions

Are tangled cables and wires beneath your desk giving you headaches? Solve your cable woes with these nifty under-desk cable organizer

[Contact Us](#)

## Server Rack Cable Management Examples

As the name suggests, overhead cable management routes cables above the server racks. This method typically uses cable ladders, hooks or D-rings attached to the

[Contact Us](#)



## Server Room Cable Management Best Practices

The investment in proper cable management pays dividends through reduced troubleshooting time, improved system reliability, and easier future upgrades.

[Contact Us](#)

## Method Statement installation of Cable



## Trays and Ladders

This method statement covers the site installation of the cable tray & ladders and the requirements of checks to be carried out.

[Contact Us](#)



Equipped with a removable **Mounting Plate** inside the enclosure, enabling customized drilling and secure component mounting.

## Cable tray systems support cables' journey through the

In many cases, a data center contains a significant number of cables to accommodate the network's high-volume, high-density connections. That being

[Contact Us](#)

## How to Plan A Server Rack Installation

Server racks are designed for one purpose and that is to provide an easy and secure way to house IT servers and their associated networking devices. Most organisations will have at



[Contact Us](#)



## Equipment needed for server rack cable management

Before you start the cable management process, check out these must have accessories that make setting up a server rack clean and easy.

[Contact Us](#)



## Server Rack Cable Management: What Is the Best

Data centers today consist of rows of server racks and network cabinets to support an abundance of data cables, power cords and network

[Contact Us](#)



## Server Rack Cable Management Best Practices

Organizing server racks and managing cables meticulously is crucial for maintaining a tidy, operational, and dependable data center. Disorganized

[Contact Us](#)

## Cable Trays for Data Centers: Perforated, Ladder or Wire Mesh

Choosing the Right Cable Tray Type for Your Data Center: Ladder, Perforated, or Wire Mesh? September 10, 2025 Walk into any server room and look above the racks. The neatness or

[Contact Us](#)



## How to Rack a Server: Step by Step Guide & Tips 2026

Racking a server means mounting it into a rack frame using rails or shelves. It ensures security, airflow, and accessibility while supporting future

[Contact Us](#)



## Server Rack Cable Management: Best Practices and

On the other hand, effective server rack cable management keeps everything organized, functional, and prepared for future expansions. This guide

[Contact Us](#)



## Contact Us

---

For datasheets, pricing, or custom fiber access solutions, please visit:  
<https://frindel.es>