

# Installation of Trough-type Cable Trays in North Africa





## Installation of Trough-type Cable Trays in North Africa

---



### What is Cable Tray and How it is used in Industrial

What is the Importance of Cable Tray Installation? Cable trays provide mechanical support for electrical cables used for power distribution, control, and

[Contact Us](#)

### Cable Tray Technical Guide A practical guide to product selection and

Cable tray length is selected based on the load to be supported, the distance between the supports (also referred to as the span), and handling and installation constraints.

[Contact Us](#)



### Cable Tray Systems: A Complete Guide to Types

Discover the essential guide to cable tray systems. Learn about ladder, trough, and wire mesh types, key components, and expert installation tips

[Contact Us](#)

### Mastering Cable Tray Installation , Step-by-Step Guide for a Seamless

Mastering cable tray installation is crucial for creating a safe, organised, and efficient cable management system. By following this step-by-step guide, you can ensure a seamless setup that



### **cable trays**

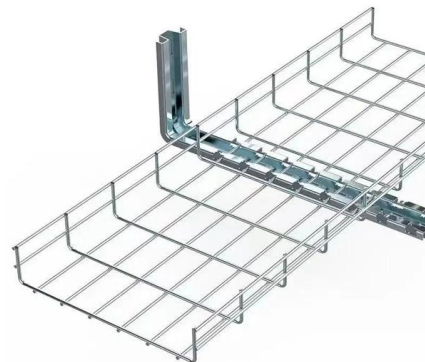
The Cable Manager supplies a comprehensive range of products including wiring channels, wire channels, unistruts, steel trunking, solar mount clamps, galvanised conduit, PVC trunking, and power

[Contact Us](#)

### **Cable Trays: How to Choose the Right Type for Your**

Conclusion Cable trays are an essential component of any cable management system, providing support, protection, and organization for cables.

[Contact Us](#)



### **100+ Essential Questions Answered About Cable Trays:**

Discover over 100 expert answers about cable trays, covering key topics like material selection, load capacity, installation methods, and maintenance.

[Contact Us](#)





## 7 Types of Cable Trays: How to Choose the Right One

Cable tray systems are engineered support structures designed to route, support, and protect insulated electrical cables used for power distribution,

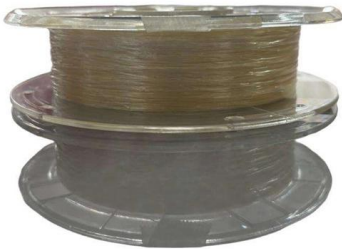
[Contact Us](#)



## Metal Cable Ladders and Trays Supplier , Advanced Strut

At Advanced Strut, we specialise in providing high-quality metal cable trays designed for the efficient support of all cable and pipe installations. Our comprehensive

[Contact Us](#)



## Cable Tray Installation and Types Guide

The document discusses cable trays, which are structures used to securely

[Contact Us](#)



## Cable Tray Technical Guide A practical guide to product selection and

A practical guide to product selection and installation This guide for engineers and installers has been developed by ABB as a practical reference regarding cable tray characteristics, installation, and

[Contact Us](#)



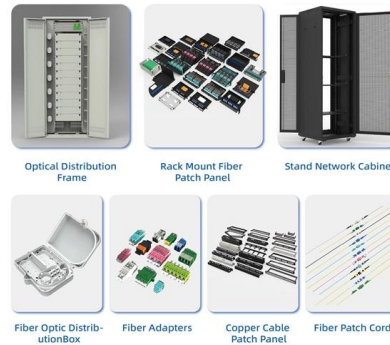


## Mastering Cable Tray Installation , Step-by-Step Guide for a Seamless

Conclusion Mastering cable tray installation is crucial for creating a safe, organised, and efficient cable management system. By following this step-by-step guide, you can ensure a seamless

[Contact Us](#)

### An Extensive Library of Self-Developed Products



### Cable Tray Type Selection

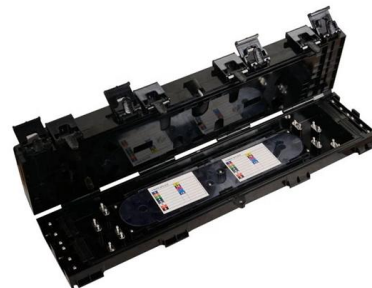
Ladder cable tray is used for about 75 percent of the cable tray wiring system installations. It is the predominate cable tray type due to its many desirable features: A ladder cable tray without covers

[Contact Us](#)

### 304 Stainless Steel Cable Tray 200x100 Customized

Whether you're installing cables in a power plant, office building, or data center, the 304 Stainless Steel Trough Cable Tray offers the strength and durability required

[Contact Us](#)



### Cable Tray , Wire-mesh , Perforated Cable Tray , Return

Cable tray (s) has a diverse use in the cabling industry making cable runs possible and seamless. Cable trays can be installed vertically and horizontally in basically

[Contact Us](#)



### Cable tray

In the electrical wiring of buildings, a cable tray system is used to support insulated electrical cables used for power distribution, control, and communication. Cable

[Contact Us](#)



### Cable Tray / Trough Tray INSTALLATION

) To install: place 1 part of cover clamp around trough tray cover and tray assembly. Place 2nd part around opposite end of Trough Tray, align clamp holes and install hardware.

[Contact Us](#)

### cable trays

Serving electrical contractors, construction companies, DIY enthusiasts, solar installers, and industrial facilities, we pride ourselves on our wide product selection, competitive pricing, and swift delivery and

[Contact Us](#)



### Method Statement installation of Cable Trays and Ladders

This method statement covers the site installation of the cable tray & ladders and the requirements of checks to be carried out.

[Contact Us](#)





## Cable Tray Installation and Types Guide

The document discusses cable trays, which are structures used to securely support and distribute cables. It describes the different types of cable trays, including

[Contact Us](#)



## Trough Type Cable Tray Guide: Load, Installation & Benefits

A professional guide to trough type cable trays. Explore load capacity charts, installation guidelines, advantages over ladder type, and key selection criteria for your project.

[Contact Us](#)

## Method Statement for Installation of Cable Tray or Trunking

On completion of cable tray/ ladder installation including fittings, inspect exposed finish. Remove burrs & construction debris and repair damages finishes

[Contact Us](#)



## Complete cable tray manual for electrical engineers and

Complete cable tray manual for electrical engineers and designers (on photo: power cable management ladder tray systems assembled aluminum cable tray ladder

[Contact Us](#)



## Contact Us

---

For datasheets, pricing, or custom fiber access solutions, please visit:  
<https://frindel.es>