

Installation Instructions for Cap-Type Junction Boxes





Installation Instructions for Cap-Type Junction Boxes

Precision Junction Boxes Installation Guide



REMARQUE : en cas de connexion de plusieurs boîtes de jonction, consulter le manuel d'installation pour connaître les exigences en matière de câble et la procédure de réglage du décalage

[Contact Us](#)

Electrical Junction Box Instructions

Install connectors through junction box knock-out (minimum .75") and anchor placement with locknut inside. All wires to be connected with UL approved wire nuts. D& P 20-amp connectors are wired with



[Contact Us](#)

How to Install an Electrical Junction Box

If your house has visible wiring splices or if you need to add a new splice to extend a circuit, follow these simple steps to install a junction box.

[Contact Us](#)



Accessories for mounting and junction boxes

The accessories for mounting and junction boxes form together with the boxes and the piping material a wide range of products that help the installer.



Junction Box Installation Manual

The document provides installation and operation instructions for a junction box. It describes handling, safety, product details, mechanical installation and electrical

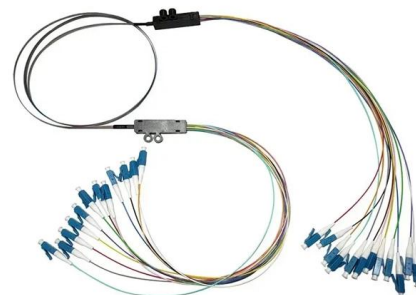
[Contact Us](#)



DIY Wiring: How to Safely Install and Use Junction Boxes

In this blog, we'll guide you through the process of safely installing and using junction boxes, providing valuable insights for DIY enthusiasts.

[Contact Us](#)



ATTACHMENT B

Long: Install the junction box 35mm (1.35") away from finished wall surface. Shim up (Suitable for hard material)

[Contact Us](#)

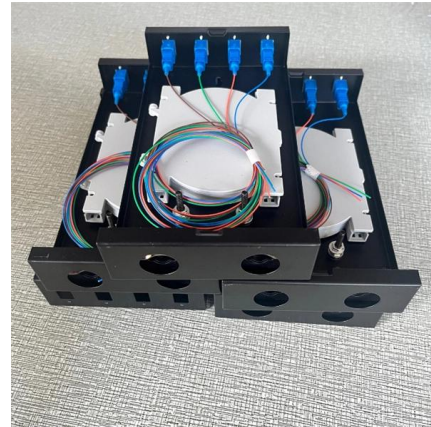
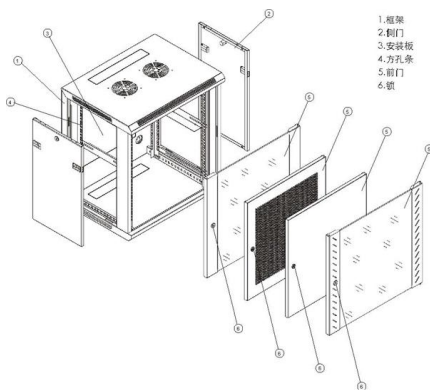




Junction-Box Installation JB1 Instructions JB1 Instructions 626/968

Junction-Box Junction-Box Junction-Box
Installation Instructions Instructions Installation
Installation JB1 Instructions tures must be
grounded in accordance with local codes o the
National Electrical Code. !

[Contact Us](#)



Junction Box Installation & Operation Manual

Before installing the unit, please read these
instructions and familiarize yourself with the
requirements and functions of the device. The
required personal protective equipment must
always be worn when

[Contact Us](#)

Precision Junction Boxes Installation Guide

NOTE: When connecting multiple junction boxes,
refer to the installation manual for cable
requirements and the shift adjustment procedure
NOTE: Keep the AUX cable as short as possible.

[Contact Us](#)



The Ultimate Guide to Terminal Junction Box Wiring:

Learn how to properly wire terminal junction
boxes for electrical connections. Understand the
importance of proper wiring techniques, safety
precautions, and

[Contact Us](#)



INSTALLATION INSTRUCTIONS



Installation Procedure Unpackage the box and check for signs of shipping damage. Disconnect the grounding wire from the back panel. Remove the back panel, gland plate, and mounting hardware

[Contact Us](#)



Assembly Instructions for: PL 6** Series Junction Boxes

EARTHING: Junction boxes shall be earthed in accordance with the relevant code of practice e.g. IEC/EN 60079-14 and IEC/EN 60079-31. The PL 6** series boxes are supplied fitted with an internal

[Contact Us](#)



How To Install An Electrical Junction Box To A Wall

Installing a CANTEX PVC electrical junction box to a wall is an easy process where you drill holes, attach the junction box and attach the electrical device.

[Contact Us](#)



Mounting and installation information for junction boxes

Taking the above-mentioned parameters into account, protected installation of the junction boxes is essential and also described in detail in the erection standards.

[Contact Us](#)



MA263 TwinBox junction box set



Follow the entire assembly instructions. Use and install the product only according to this assembly instructions and the technical data. Safely store the assembly instructions and pass them on to

[Contact Us](#)



12 Types of Electrical Boxes and How to Choose

Learn about the many common types of wall and ceiling electrical boxes for switches, outlets, light fixtures, ceiling fans, and junction boxes.

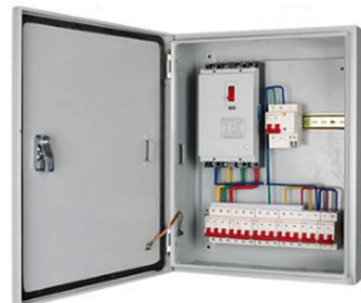
[Contact Us](#)



How to Install a Junction Box: 8 Steps , Polycase

Are you thinking about installing a junction box on your own? Read Polycase's blog for a guide on how to install a junction box successfully and safely.

[Contact Us](#)



Mounting and installation information for junction boxes

Introduction Junction boxes are used to connect cables and can be mounted in all kinds of areas. With regard to the ambient conditions, several factors and standardised specifications must be taken into

[Contact Us](#)





PEPPERL+FUCHS F-JB SERIES MANUAL Pdf Download , ManualsLib

View and Download Pepperl+Fuchs F-JB Series manual online. Fieldbus Junction Boxes/Segment Protectors. F-JB Series protection device pdf manual download. Also for: F2-jb-i series.

[Contact Us](#)



How to Install an Electrical Junction Box?

Learn how to install an electrical junction box with this easy guide. Perfect for outdoor or industrial wiring using IP65 ABS enclosures.

[Contact Us](#)

Operating manuals

ROSE Operating instructions for industrial control and display enclosures as well as Ex equipment for download. Download now!

[Contact Us](#)



95417 JB1 Instructions

Junction-Box Installation Instructions JB1
WARNING: This product contains chemicals known to the State of California to cause cancer, birth defects, ! and/or other reproductive harm. Thoroughly wash

[Contact Us](#)



NEC Compliance for Junction Boxes: E-abel's

In the realm of electrical installations, junction boxes serve as critical nodes where wiring connections are made and routed. Their proper selection,

[Contact Us](#)



Assembly Instructions for: PL 6** Series Junction Boxes

When installed in an enclosure the creepage and clearance distances between the terminals, adjacent equipment and enclosure walls must comply with the requirements of IEC/EN 60079-7.

[Contact Us](#)



Demystifying Junction Box Wiring: Everything You Need

Learn about junction box electrical wiring, including how to install and troubleshoot wiring connections in junction boxes for electrical circuits.

[Contact Us](#)

Contact Us

For datasheets, pricing, or custom fiber access solutions, please visit:
<https://frindel.es>