

Hydraulic punching equipment for cable trays





Overview

The cable tray punching machine is a specialized production line for manufacturing trough-type cable trays. These stand-alone and compact hydraulic punching machines are ideal for the in-line punching of "U"-shaped plastic profiles that need punching on all three sides, such as cable trunking, ducts for floor conditioning systems and single wall cable trays with a width of up to 600 mm and a thickness of.



Hydraulic punching equipment for cable trays



Cable Tray Machine , Cable Tray Punching Machine

Invest in our advanced Cable Tray Machine and enhance your cable tray manufacturing capabilities. Contact us today to explore our range of equipment, discuss your specific requirements, and

[Contact Us](#)

cable tray punching machine

cable tray roll forming machine automates precise forming of steel cable trays, with customizable profiles, high-speed production, and durable components. Ideal for electrical construction and



[Contact Us](#)



Cable Tray Punching Machine , Automatic & Customizable Solution

Our cable tray punching machine adopts a high-precision hydraulic or servo punching system, ensuring consistent hole accuracy, smooth edges, and high production efficiency.

[Contact Us](#)

Cable Trays

Our lines are suitable to manufacture cable trays, in different widths and heights, by just changing the coil and rollforming width. The whole line is electronically

[Contact Us](#)



Cable tray punching machine roll forming machine

Cable tray punching machine line punching process: decoil material-leveling-punch and cut-forming -output of table Cable tray making machines,cable tray

[Contact Us](#)



600 cable tray punching machine

The 600 cable tray punching machine ensures high-speed, accurate punching of holes with adjustable sizes to meet specific needs. Its automated system

[Contact Us](#)



More products



Cable Tray Manufacturing Machines: Press Brake, Punch Press

Learn which machines make cable trays -- roll forming, press brake, punch press, and shearing line. Step-by-step process guide, specifications, and machine selection tips for 2026.

[Contact Us](#)



Cable Tray Punching Machine at INR 450000

Rolta Engineering Private Limited - Offering Cable Tray Punching Machine, ???? ???? ???? ?????? ???? at INR 450000 in Navi Mumbai, Maharashtra. Check best price

[Contact Us](#)



Cable Tray Punching Device Hydraulic Punching Machine for Cable Tray

The perforated cable tray roll forming machine successfully integrated hydraulic punching device or high speed press machine for radiation holes on cable tray. Also the telescope shaft is available to rapid

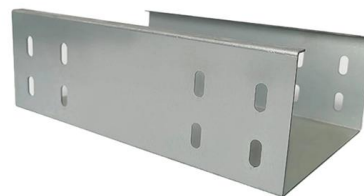
[Contact Us](#)



Hydraulic Punching Cable Tray Forming Machine

Hydraulic Punching Cable Tray Forming Machine Zhike Qida Automation Equipment Manufacturing Co., Ltd. will give you a detailed introduction to the content of

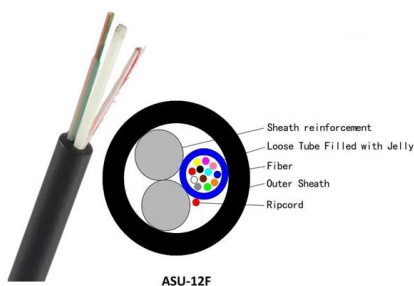
[Contact Us](#)



cable tray punching machine

High-speed cable tray punching machine delivers precise holes for efficient cable tray production.

[Contact Us](#)



Cable Tray Punching Machine at best price in



Get Cable Tray Punching Machine in Hyderabad, Telangana at best price by Essem Hydraulic Engineers. Also find price list from verified suppliers with contact

[Contact Us](#)



POVI 6000

They are latest generation punching machines, designed and built to work at high speeds, up to 10 m/min., and extremely flexible and versatile according to the different and specific production

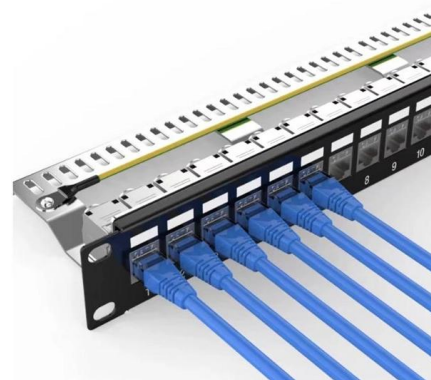
[Contact Us](#)



Cable Trays 2023

The lines we propose allow industrialising any type of cable tray. Our lines are suitable to manufacture cable trays, in different widths, heights, and thicknesses, at a high rate, with low changeover times.

[Contact Us](#)



Zhongtuo High Speed Cable Tray Punching Machine Price for

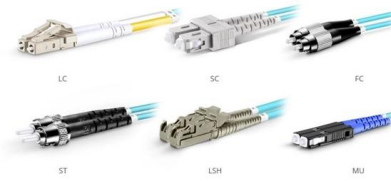
Discover the competitive cable tray punching machine price from ZTRFM. Fully automatic trough cable tray production line with hydraulic punching, PLC control, high efficiency, and customized dimensions

[Contact Us](#)

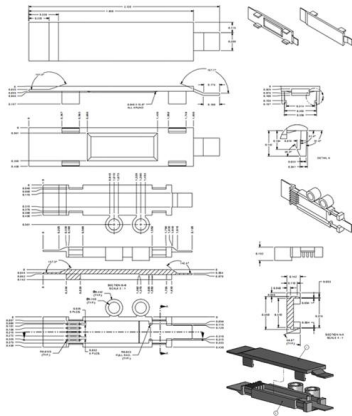
High-Speed Cable Tray Punching Machine

Cable tray punching machines serve as indispensable equipment in electrical infrastructure projects globally. These specialized machines perform precise

[Contact Us](#)



OM3 Fiber Patch Cable Family



Punching and coining systems for plastic cable ducts

POVI 6000 is the latest generation of hydraulic punching machines for PVC cable ducts and single wall perforated cable trays. This in-line production system is designed to work at high speeds. The

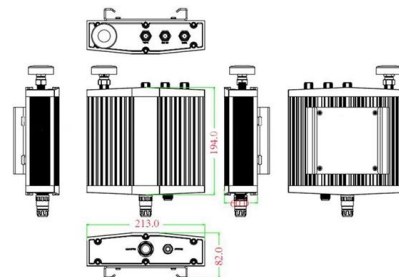
[Contact Us](#)

China Automatic Cable Tray Cable Tray Roll Forming Machine Cable Trays

Working flow of Cable Tray Roll Forming Machine
Decoiler-roll forming machine-PLC control box-hydraulic cutter-Run out table
Specification
Model parameters 800/200 Equipment footprint

[Contact Us](#)

Mechanical drawing



Cable Tray Punching Machine

Utilizing advanced automation technology combined with precise punching, bending, and cutting processes, this machine efficiently completes the forming and

[Contact Us](#)



Cable Tray Manufacturing Machines: Press Brake, Punch Press

This guide walks through each core machine, how they fit into a typical production line, what specifications to evaluate, and how to match machine choices to the cable tray types and

[Contact Us](#)



Cable Tray Punching

A hydraulic punch for a cable tray machine can also be used for heavy tasks. The hydraulic punching tool for tray cabinets provides deep and tough punching operations because their punch is generally

[Contact Us](#)

HOPEX Fully Automatic cable tray punching machine

HOPEX Fully Automatic cable tray punching machine is a cutting-edge solution for steel cable tray manufacturing. It combines rolling, punching, cutting and forming in one, realizing full automation with

[Contact Us](#)



Cable Tray Punching Machine for Trough Trays

Equipped with durable rollers, robust frames, and reliable hydraulic units, the cable tray punching machine can handle a wide range of tray sizes and thicknesses. It

[Contact Us](#)



Cable Tray Punching Machine With Hydraulic Press

Detailed info about Cable Tray Punching Machine With Hydraulic Press. Contact Taiwan Metal Cutting Machine supplier-CISFUN TECHNOLOGY

[Contact Us](#)



cable tray punching machine

High-speed cable tray punching machine delivers precise holes for efficient cable tray production.

[Contact Us](#)

Industrial cable tray punching machine

Invest in our advanced Industrial Cable Tray Punching Machine and enhance your industrial cable tray manufacturing capabilities. Contact us today to explore our range of equipment, discuss your specific

[Contact Us](#)



Contact Us

For datasheets, pricing, or custom fiber access solutions, please visit:
<https://frindel.es>