

Huijue ZXMR Distribution Box





Huijue ZXMR Distribution Box



Energy Storage Cabinet, energy storage system, New Energy

Huijue Group's Mobile Solar Container offers a compact, transportable solar power system with integrated panels, battery storage, and smart management, providing reliable clean energy for off

[Contact Us](#)



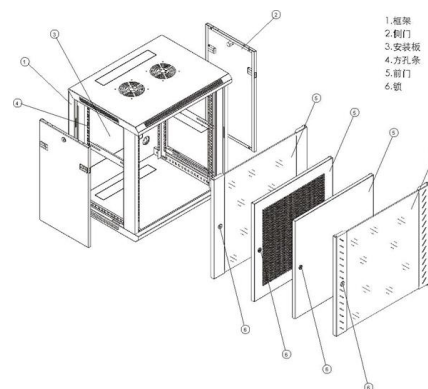
Intelligent distribution box-Product Center-Hangyue Intelligent

Combined with the Hangyue intelligent operation and maintenance system, it achieves permission management for opening (closing) doors and connecting (disconnecting) wires of the distribution box

Distribution Box

Home Distribution Box Distribution Box For seamless consolidation, distribution, and management of power supply.

[Contact Us](#)



Fibre Optic Metal Distribution Box Manufacturer & Supplier in United

Norden is the leading Fibre Optic Metal Distribution Box manufacturer and supplier in United Arab Emirates. Buy Fibre Optic Metal Distribution Box in United Arab Emirates at the best price from

[Contact Us](#)



Fiber Terminal Box GZ-IDM-A12

Open the cover by screwing down the screws; Applicable for the terminal protection of the single fibers; Easy installation: can be mounted on the wall of the data center; Used for the connection and

[Contact Us](#)



HRMD91 Explosion proof Distribution Box (Ex d IIB+H2)

HRMD91 Explosion proof Distribution Box
Explosion protection to - IEC - CENELEC - NEC
Can be used in Zone 1 and Zone 2 Zone 21 and Zone 22 Class I, Zone 1

[Contact Us](#)



Leading Network Server Cabinet, Integrated Outdoor

Huijue Net cabinet adopts modular design, simple installation, easy expansion, rich accessories, and meets the needs of different users in multiple directions.

[Contact Us](#)



Energy Storage Battery Cabinet

Energy storage battery cabinet HJ-SG-P type:
This series of products integrates battery PACK,
BMS system, high voltage box, power distribution
unit,

[Contact Us](#)



Products - Outdoor Base Station Cabinets & Energy Storage Systems

Explore Huijue's complete product portfolio,
including base station energy cabinets, outdoor
base station cabinets, battery enclosures, and
cabinet energy storage systems. Designed for
telecom,

[Contact Us](#)

Fiber Terminal Box GZ-IDM-P12H

Open the cover by screwing down the screws;
Applicable for the terminal protection of the
single fibers; Easy installation: can be mounted
on the wall of the data center; Used for the
connection and

[Contact Us](#)



Company Overview

Shanghai Huijue Technologies Group Co., Ltd.
Products: Home energy storage system, Telecom
power supply, Energy Storage Battery, Site
energy solution,

[Contact Us](#)



Distribution Box Manufacturer, Best Power Distribution

Distribution Box Manufacturer DOHO is a major manufacturer of distribution boxes and products in China. We have been providing quality OEM/ODM service to

[Contact Us](#)



Fiber Terminal Box GZS-A36

Fiber termination box (shortened as FTB or OTB), is mainly used for the terminal fixing, the protection of the splice joint between the fibers and the pigtails, and storage of the spare fibers.

[Contact Us](#)

BXM (D)51 Series Explosion proof Distribution Boxes

BXM (D)51 Explosion proof Distribution Boxes
Explosion protection to -CENELEC -IEC -NEC Can be used in Zone 1 and Zone 2 Zone 21 and Zone 22 Class I, Zone



[Contact Us](#)



Fiber Terminal Box GZS-A24

Fiber termination box (shortened as FTB or OTB), is mainly used for the terminal fixing, the protection of the splice joint between the fibers and the pigtails, and storage of the spare fibers.

[Contact Us](#)



HJ Optical Fiber Distribution Box Pre-Connected type 16 Cores

? Shanghai Huijue Technologies Group Co., Ltd
Jul 5, 2023?? ? HJ Optical Fiber Distribution Box
Pre-Connected type 16 Cores / Customized
capacity HUIJUE has launched its pre

[Contact Us](#)



Fiber Terminal Box GZ-IDP-A12

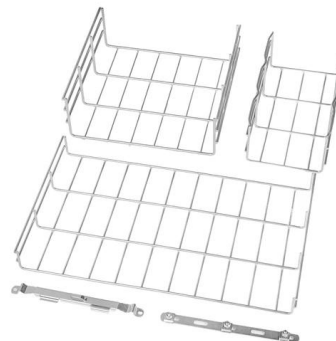
Overview Fiber termination box (shortened as FTB or OTB), is mainly used for the terminal fixing, the protection of the splice joint between the fibers and the pigtails, and storage of the spare fibers.

[Contact Us](#)

Leading Energy Storage Equipment Manufacturer

We offer a complete range of products, including household, industrial, commercial, and site energy storage systems. Our company integrates R& D, production, and

[Contact Us](#)



Distribution Box Supplier & Manufacturer in China

Leading electrical distribution box manufacturer in China. Reliable power distribution boards for industrial and commercial systems with OEM support.

[Contact Us](#)

XM Distribution box-Distribution Box-CEA



Group International Co., Ltd

XM Distribution box XM Cabinet is widely used in lighting distribution systems of power station, transformer station, factory, mine, hotels, apartment, buildings, port, railway

[Contact Us](#)



Huijue Communication Equipment

With 20 years of focus, it provides integrated outdoor cabinets, optical fiber splitter boxes, energy storage equipment rooms, ETC cabinets and other communication equipment for operators such as

[Contact Us](#)

Distribution boxes - For modular and decentralised

Modern automation solutions are becoming increasingly decentralised. As a result, you need distribution systems that can be easily integrated into the common

[Contact Us](#)



ODN Products

Huijue Communication Equipment specializes in producing ODN product series, including jumperless optical cross-connect cabinets, optical fiber distribution boxes of various core counts, optical cable

[Contact Us](#)



Zone Distribution Box

Zone Distribution Box Zone distribution boxes are available for both floor and ceiling fiber and copper applications. All zone boxes are highly customizable and fully

[Contact Us](#)



19inch Metal Power Distribution Box Telecommunication Server Cabinet

19inch Metal Power Distribution Box Telecommunication Server Cabinet, Find Details and Price about Outdoor Cabinet Telecom Cabinet from 19inch Metal Power Distribution Box Telecommunication

[Contact Us](#)



ZXMR-UHLDD96 182.2×210 1762×1134(30×32NH) 430-445W

16BB HALF-CELL Black N-Type TOPCon Bifacial Double Glass Monocrystalline PV Module. Improved Aesthetics. Compared to conventional modules, this full black modules have a more uniform

[Contact Us](#)



Optical Cable Distribution Box (Non-Metal)

Compact and reliable Huijue systems provide energy independence and efficiency for modern homes. Advanced PV-BESS -EV Charging Provider The Huijue Group's Optical-storage-charging application

[Contact Us](#)





Contact Us

For datasheets, pricing, or custom fiber access solutions, please visit:
<https://frindel.es>