

# Huijue Optical Cable Connection Method





## Huijue Optical Cable Connection Method

---



### Telecom Cabinet Manufacturer, fiber optical patch cord, 12 core patch

Established in 2001, Shanghai Huijue Network Communication Equipment Co., Ltd (HJ Network for short) is the leading manufacturer and solution provider for telecom and communication products.

[Contact Us](#)

### Fiber Optic patch cord , HJ Network provide both single mode

Fiber optic patch cords which are fully qualified to RoHS standards. each patch cord is tested before delivering to the customer. Assemblies are available in all major fiber optic connector

[Contact Us](#)



### Connecting Second-Generation Hybrid Cable

Connecting Second-Generation Hybrid Cable Context For details related to precautions for using the second-generation hybrid cable (hybrid cable 2.0), see Assembling Second-Generation Hybrid

[Contact Us](#)

### Fiber Optic Equipment

China Fiber Optic Equipment catalog of LSZH LC/UPC Fiber Optic Easy Strip Ferrule Patch Cords, Waterproof SC/UPC 8 Cores Fiber Optical Patch Cord provided by China manufacturer - Shanghai



### **ODN Products**

Huijue Communication Equipment specializes in producing ODN product series, including jumperless optical cross-connect cabinets, optical fiber distribution boxes of various core counts, optical cable

[Contact Us](#)



### **Detailed explanation of optical cable connection and detection**

This method is generally used to quickly detect the on-off of optical fibers and to distinguish the fibers made during construction. It uses a simple light source to inject visible light from



[Contact Us](#)

### **Fibre Optic Cable & Connector Guide**

Choices must be made in selecting fibre optic cables and connectors for high-reliability applications. This white paper provides the knowledge for how to make appropriate selections of fibre optic cable and

[Contact Us](#)

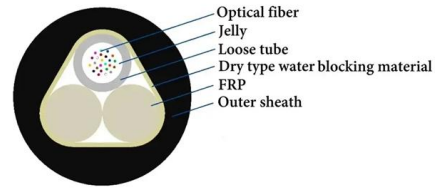




## Double-ended optical cable splice box (horizontal)

Parameters The optical cable splice box, also called the optical cable splice box, is where the end of the optical cable is connected. It is connected to the optical switch through the optical fiber jumper to

[Contact Us](#)



## Fibre Optic Cable Splicing Guide: Techniques and Equipment

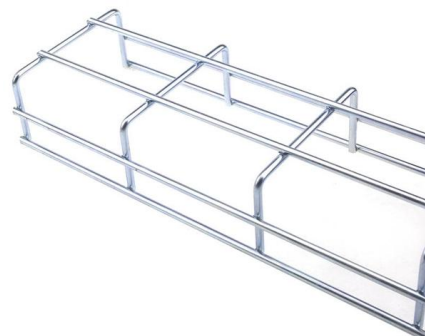
In this comprehensive guide, we'll explore the techniques, equipment, and best practices for fibre optic cable splicing to help you master this essential skill in fibre optic installations.

[Contact Us](#)

## Fiber Optic Components , Leading Network Server

Founded in 2002, Huijue Network is a high-tech service provider integrating intelligent network communication equipment and computer intelligent network

[Contact Us](#)



## Installation of Optical Fiber

The optical fiber cables are joined by Fusion splicing process by following color code or sequence of buffer tubes and fibers in the cable and secure it in joint closure box at every joint location.

[Contact Us](#)



## Fiber Optic Equipment, Network Cabinet from China Manufacturers

China Fiber Optic Equipment, Network Cabinet, offered by China manufacturer & supplier -Shanghai Huijue Network Communication Equipment Co., Ltd., page1

[Contact Us](#)



## Handbook Optical fibres, cables and systems

It is an honour to present you with the latest version, which is another example of how ITU-T is bridging the standardization gap between developed and developing nations. I trust that this manual will be a

[Contact Us](#)

## Four -end connection methods of butterfly-shaped optical fiber optic

Butterfly-shaped optical fiber cables are a popular type of fiber optic cable that is commonly used for data transmission in telecommunication networks. They are called butterfly

[Contact Us](#)



## Fibre Optic Cable & Connector Guide

Fibre Optic Cable & Connector Guide White paper Introduction Organising through cables and connectivity options can be an exasperating exercise. It's tough enough working through the

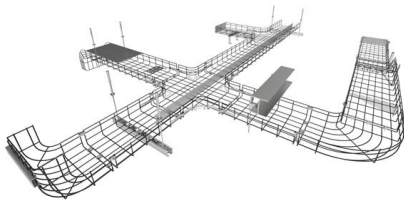
[Contact Us](#)



## Fiber Optic Cable Installation: How To Properly Install It

How to Install Fiber Optic Cables Installing fiber optic cable follows a systematic installation process encompassing three primary phases: running,

[Contact Us](#)



## Fibre Optic Cable Splicing Guidelines , PDF , Optical

The document provides guidelines for splicing fibre optic cable. It outlines the necessary tools, materials and steps for preparing the cable ends, splicing the

[Contact Us](#)

## Optical Fiber Cable Installation Guideline

1. Recommendations for Fiber Optic Cable Installation 1.1 General recommendations for all installation and storage areas of cable (indoor/outdoor) Where reels are supplied with protective material fitted

[Contact Us](#)



## Connecting a Cable to an Optical Port

Connect the new optical cable to the same port as the removed one. Connect the optical cable to the optical module securely.

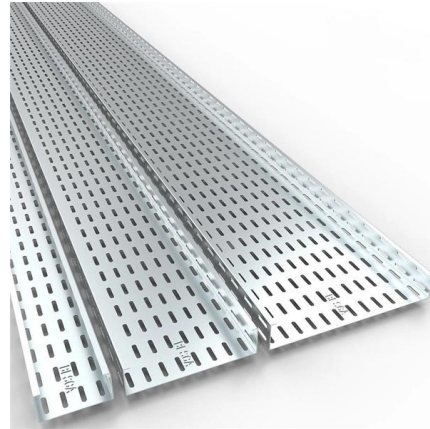
[Contact Us](#)



## Optical Fiber Cable Installation Guideline

Installation procedures for open placement of fiber optic cables are the same as for electrical cables. Care should be taken to avoid sudden, excessive force so as not to violate tensile load and radius

[Contact Us](#)



## How to Connect Fiber Optic Cable: Comprehensive Guide

Master how to connect fiber optic cable with our detailed guide. Step-by-step instructions to ensure you achieve the best performance and reliability in

[Contact Us](#)

## OPTICAL FIBRE CABLES INSTALLATION GUIDE

The objective of this document is to be an optical fibre cable installation and laying guide, addressed to new installers, also being useful as a reminder to experienced installers. We should always consider

[Contact Us](#)



## Contact Us

---

For datasheets, pricing, or custom fiber access solutions, please visit:  
<https://frindel.es>