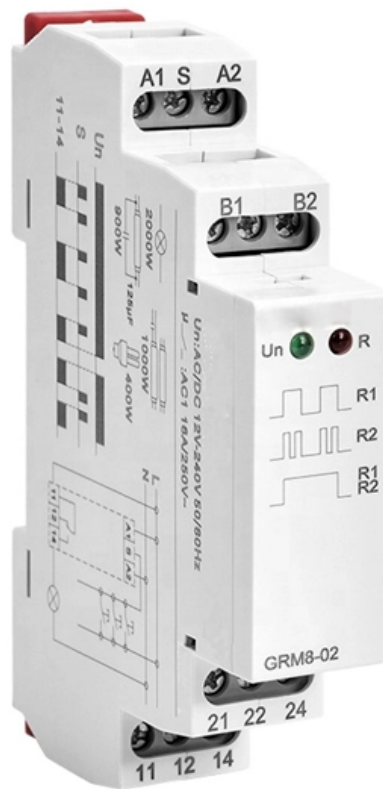


How to weld the inclined support of the cable tray





How to weld the inclined support of the cable tray



Guide to cable support systems

The load capacity of the cable trays according to the support width can be read off in the diagram using load curves - here, shown as an example for a cable tray with the tray widths 100 to 600 mm.

[Contact Us](#)

Cable Tray Installation

Learn everything about cable tray installation with our complete guide. Discover types, steps, and safety tips for efficient electrical cable management.

[Contact Us](#)



CABLE TRAYS GENERAL INFORMATION AND

Cable tray systems are to be installed so they are accessible. If possible 300mm minimum should be left above or between installed systems to allow for cable

[Contact Us](#)



Best Practice Guide to Cable Ladder and Cable Tray

Cable ladder and cable tray systems The following recommendations are intended to be a practical guide to ensure the safe and proper installation of

[Contact Us](#)



Installation of Cable Tray, Trunking And Accessories

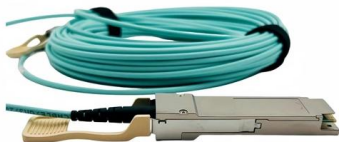
Before beginning installation, be sure that the method statement for installation of cable tray, trunking, and accessories is approved by the project and construction manager before the

[Contact Us](#)

How to Install Cable Tray: A Comprehensive Guide to Different Cable

Welcome to our step-by-step guide on installing cable trays! In this video, we'll explore the different types of cable trays available and provide detailed instructions for their installation.

[Contact Us](#)



Beama Best Practice Guide , Installation Of The System , Cable

Cable ladders, cable trays and their supports should be strong enough to meet the load requirements of the cable management system including cables and any future cable additions and any other

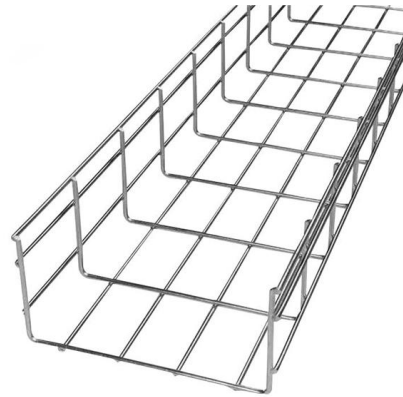
[Contact Us](#)



Best Practice Guide to Cable Ladder and Cable Tray Systems

Cable ladder systems and cable tray systems are designed for use as supports for cables and not as enclosures giving full mechanical protection. They are not intended to be used as ladders, walk ways

[Contact Us](#)



A Guide to Installing and Supporting Electrical Cable Trays

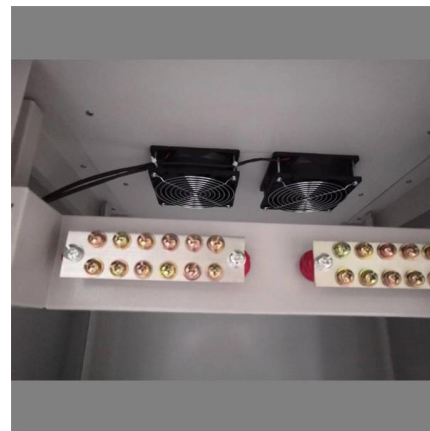
A professional guide to installing electrical cable tray systems per NEC Article 392. Covers support, securing cables, and fill calculations.

[Contact Us](#)

Utility Cable Support Welding Guide

This article provides an in-depth look into the process of welding metal supports for utility cables. It explores advanced welding techniques, best practices, the importance of safety, and how emerging

[Contact Us](#)



Unistrut Cable Tray Support Structures

Cable Tray systems are often used to support electric power, signal, control, instrumentation, and communication cables used for power distribution and

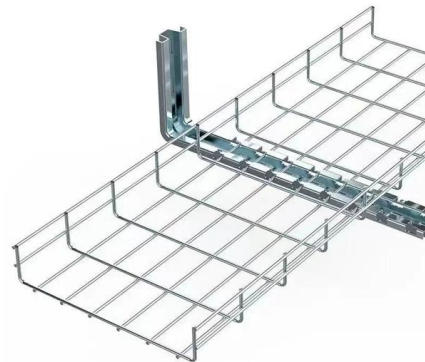
[Contact Us](#)



Cable tray support and its welding method

According to the cable tray support and the welding method thereof according to the embodiment of the present invention, the welded portion can be welded by the operator alone while

[Contact Us](#)



Cable tray support and its welding method

As described above, the cable tray support and the welding method according to an embodiment of the present invention can weld the welding area by the operator alone while the joint surface formed at

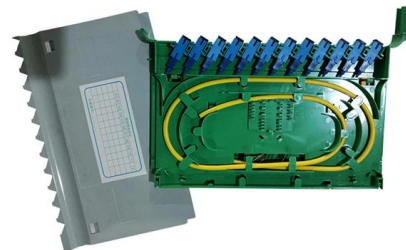
[Contact Us](#)



CABLE TRAY AND ELECTRICAL EQUIPMENT

Tools and equipment needed for cable tray support installation should be in good condition and must be checked by Supervisor / Safety Engineer prior to use in the

[Contact Us](#)



CABLE TRAY AND ELECTRICAL EQUIPMENT

Self standing support for cable tray shall be made of steel channel vertically installed and supported with concrete foundation, anchor bolt grouting, etc. Welding of

[Contact Us](#)





How to align cable tray into a sloping framing or ceilings in Revit

Is it possible to align the cable tray with a sloping framing or ceilings in Revit? Use the following steps to adjust cable trays with sloping elements using align option: If the cable tray is

[Contact Us](#)



Mastering Cable Tray Welding: Tips for Seamless Installations

Cable tray welding is essential for ensuring the structural stability of cable tray systems in industrial and commercial wiring setups. This process involves joining metal components to create a robust support

[Contact Us](#)

Cable Tray Sleeper Design Details , PDF , Length

The document provides details on the design of a cable tray mechanical support system, including specifications for cable tray sleepers, impeded steel plates, and

[Contact Us](#)



Cable Tray Support Solutions: Safety, Compliance,

Cable trays are an integral part of modern industrial infrastructure and civil architecture. With the rapid development of electrification and informatization,

[Contact Us](#)



Technical Specification for Cable tray installation and cable laying work

1. Scope :- This specification covers the following major activities; - Fabrication and installation of Mild Steel (MS) support structure for Galvanized Iron (GI) Cable tray. - Installation of perforated GI Cable

[Contact Us](#)



Technical Specification for Cable tray installation and cable laying work

Approval of IPR shall be obtained for site preparation and marking the cable tray routes and locations of cable tray support before proceeding with the erection and installation work.

[Contact Us](#)

How to build Cable Tray , Wire Mesh Cable Tray

In this video, I will show how to build cable tray wire mesh with a wire mesh welding machine. ---RKM Machinery more

[Contact Us](#)



Cable Tray Installation Guidelines

The document provides installation guidelines for cable trays. It states that cable trays should be individually connected using bolted connections, and welded earthing conductors should be installed.

[Contact Us](#)



A Guide to Installing and Supporting Electrical Cable Trays

This guide covers the critical steps, from selecting the right electrical cable tray and performing accurate cable fill calculations to managing a safe cable pull through

[Contact Us](#)



Industrial Welding Work for Electrical Cable Tray

SEWP SERVICES Pvt. Ltd. showcases precision welding work during the installation of industrial cable trays for heavy electrical wiring connected to generators and fire pumps.

[Contact Us](#)

Cable Tray Support Weld Design Analysis

The document discusses the weld design for connections of different sized cable trays. It provides maximum and minimum force calculations for beams of various

[Contact Us](#)



Mastering Cable Tray Welding: Tips for Seamless Installations

Cable tray welding is a critical process for assembling secure and durable cable tray systems. Whether for industrial or commercial applications, the steps and techniques involved ensure safety, stability,

[Contact Us](#)



Contact Us

For datasheets, pricing, or custom fiber access solutions, please visit:
<https://frindel.es>