

How to reassemble fiber optic cables in a junction box





Overview

Learn the essential steps for installing an OPGW cable joint box, including preparation, mounting, fiber splicing, and sealing techniques, to ensure reliable and secure fiber optic connections in overhead power lines. Adhering to these steps ensures optimal performance and longevity of the telecommunications system. The fiber closure is used to protect and distribute data between two or more cables. In this comprehensive guide, we will explore the where, what, and how of fiber optic junction boxes, providing beginners with a solid understanding of their applications, types, inner structures, material considerations, and how to choose the right one for specific needs.



How to reassemble fiber optic cables in a junction box



Be Your Own Technician: DIY Fiber Optic Installation Guide

In the spirit of self-reliance and technical mastery, we've crafted this detailed guide to empower you to take control of your own network by installing fiber optic cables yourself.

[Contact Us](#)

Understanding Fiber Optic Junction Boxes: A Comprehensive

A fiber optic junction box, also known as a fiber optic distribution box or termination box, is a protective enclosure that

[Contact Us](#)



Fast shipment in stock Default white and black, contact customer service for notes

4U standard model



Installing fiber optic junction boxes correctly

Learn how to professionally install a fiber optic junction box - a simple step-by-step guide.

[Contact Us](#)

Joining Fiber Cable - What Are the Options?

This means that little fiber is wasted when mechanical connectors are used and the equipment required is relatively inexpensive. There is no need to invest in boxes

[Contact Us](#)



Fiber Optic Junction Box Installation Guide

Use only shielded cable. Temperatures at the cable entry can reach 80° C. Selection of cable must be appropriate for the ambient temperature range in which the product is used.

[Contact Us](#)



Fiber Optic Junction Box Suppliers, Manufacturer, Distributor

Alibaba offers 659 Fiber Optic Junction Box Suppliers, and Fiber Optic Junction Box Manufacturers, Distributors, Factories, Companies. There are 445 OEM, 396 ODM, 137 Self Patent. Find high quality

[Contact Us](#)



2090-QR001D-EN-P, Fiber Optic Cable Installation Quick Guide

The information contained in this manual should serve as a guide to proper handling, installing, testing, and for troubleshooting problems with fiber optic cables.

[Contact Us](#)



101 Guidelines for Fiber Optic Cable



Installation

A fiber optic cable should be tested three separate times during an installation: on the reel, the splicing test, and the final acceptance test. Extreme caution should

[Contact Us](#)



Fiber Optic Junction Box Installation Guide

When fibre optic cable is used, glands must be suitably certified for use with the type of cable so as to maintain the type of protection (Ex db/Ex tb). one thread adaptor when an adaptor is used. A blankin

[Contact Us](#)

passman/js/vendor/zxcvbn/zxcvbn.js.map at master · nextcloud

? Open source password manager with Nextcloud integration - nextcloud/passman

[Contact Us](#)



How are fiber optic cables joined?

How are fiber optic cables joined? When you plan your installation, the fiber cable is generally installed from the communications room to the satellite

[Contact Us](#)



How Do You Install an OPGW Cable Joint Box?

Learn the essential steps for installing an OPGW cable joint box, including preparation, mounting, fiber splicing, and sealing techniques, to ensure reliable

[Contact Us](#)



Fiber Terminal Box vs Junction Box: Key Differences

Compare fiber terminal box vs junction box in functions, applications, and installation. Learn which suits FTTH fiber vs electrical wiring.

[Contact Us](#)

How to Repair Fiber Optic Cable: Top 5 Easy Steps (2024)

Learn how to repair fiber optic cable with our step-by-step guide. Discover essential tools, splicing techniques, and troubleshooting tips.

[Contact Us](#)



How to Install a Fiber Termination Box

The fiber optic cables should not move or shift when tugged lightly. Use a fiber optic power meter or similar tool to test the network connections for

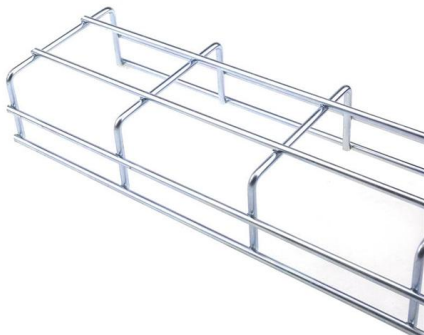
[Contact Us](#)



How to Routing a Fiber Core in Joint Box

In this video I will show you how to routing a fiber core in a joint box With the help of this video you can easily routing a fibers in your joint box and run your network without any optical

[Contact Us](#)



How to Install 24 Core Fiber Junction Box Fiber Splice

The fiber closure box main purpose is to connect outdoor distribution cable to indoor cable. The video shows the 24 core fiber splicer closure and its

[Contact Us](#)

How to Fix a Cut Fiber Optic Cable

While a cut or damaged fiber optic cable can temporarily take your network down, it is possible to quickly fix the cable with the right tools. This wikiHow article will teach you how to splice a



[Contact Us](#)



Repairing a Broken Fiber Optic Cable

Repairing a Broken Fiber Optic Cable This article covers the typical steps required to repair and/or re-terminate a damaged fiber optic cable. The actual steps may vary

[Contact Us](#)



Preparing your Fiber Optic Cable for Connectors or Splices

In this guide, we'll walk you through the entire process of preparing fiber optic cable for splicing and termination to fiber connectors. We'll explore the

[Contact Us](#)



How to Install 24 Core Fiber Junction Box Fiber Splice Closure

Aerial 12 24 Core PP ABS Material junction box fiber optic splice closure is one of the most important equipment for user access points and junction box. The fiber closure is used to protect and

[Contact Us](#)



How to Properly Install Fiber Optic Cable: A Step-by

After installation, thoroughly test the fiber optic connection to ensure that it is operational. This will assist you in identifying any issues early on and

[Contact Us](#)



How to Repair a Damaged Fiber Optic Cable?

Learn how to repair a damaged or cut fiber optic cable with step-by-step instructions, essential tools, and best practices. Restore your fiber cable

[Contact Us](#)





Installation Guide for Fiber Optic Splice Closure

This blog is a structured guide to ensure optimal fiber optic splice closure installation, protecting your fiber connections.

[Contact Us](#)



How to Repair a Fiber Optic Cable

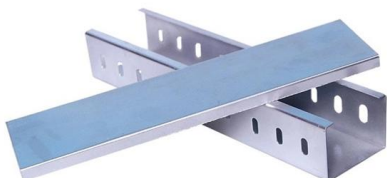
Understanding how to repair your damaged fiber optic cable will help you keep your network online when the unexpected strikes. Visit our site to learn how!

[Contact Us](#)

Ultimate Guide to Fiber Optic Distribution Box: Types

Fiber optic technology has revolutionized the telecommunications industry, enabling faster and more reliable data transmission. One essential

[Contact Us](#)



Optical Fiber Jointing Methods

The document discusses methods for joining optical fibers, including fusion splicing and mechanical splicing. Proper preparation of the fiber ends is important for both

[Contact Us](#)



Fiber Optic Jointing & Splicing Tutorial , Step-by-Step Guide for

Learn how to do fiber optic jointing and splicing step by step! This video covers all the tools, techniques, and tips for fiber optic splicing, fiber jointing, and making strong,

[Contact Us](#)



How to Connect Fiber Optic Cable: Comprehensive Guide

Master how to connect fiber optic cable with our detailed guide. Step-by-step instructions to ensure you achieve the best performance and reliability in

[Contact Us](#)

Contact Us

For datasheets, pricing, or custom fiber access solutions, please visit:
<https://frindel.es>